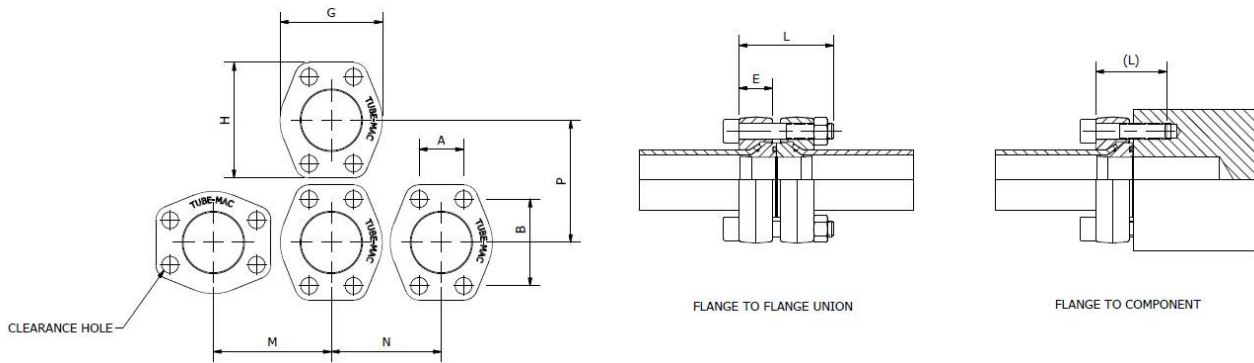


SAE 6000 PSI Flare Flange Dimensions

SAE J518 Code 62 (ISO 6162-2)



Flare Flange Dimensions (Inches)

Size	Dimensions (in)								SHCS Bolt (in)* L (L)	Working Pressure PSI (Bar)
	A	B	G	H	M	N	P	E		
1/2"	0.72	1.59	1.88	2.22	2.20	2.09	2.32	0.81	5/16"-18 UNC x 2.25 (1.50)	6000 (420)
3/4"	0.94	2.00	2.38	2.81	2.76	2.68	2.95	1.02	3/8"-16 UNC x 2.75 (1.75)	6000 (420)
1"	1.09	2.25	2.75	3.19	3.19	2.99	3.35	1.03	7/16"-14 UNC x 2.75 (1.75)	6000 (420)
1-1/4"	1.25	2.63	3.06	3.75	3.58	3.27	3.90	1.25	1/2"-13 UNC x 3.25 (2.00)	6000 (420)
1-1/2"	1.44	3.13	3.75	4.44	4.25	3.98	4.57	1.38	5/8"-11 UNC x 4.00 (2.50)	6000 (420)
2"	1.75	3.81	4.50	5.25	5.04	4.72	5.39	1.68	3/4"-10 UNC x 4.50 (2.75)	6000 (420)

* SHCS Bolt Specification

Carbon Steel: ASTM A574

316 Stainless Steel: ASTM A193 B8M Class 2

Flare Flange Dimensions (Millimeters)

Size	Dimensions (mm)								SHCS Bolt* L (L)	Working Pressure PSI (Bar)
	A	B	G	H	M	N	P	E		
1/2"	18.3	40.4	47.8	56.4	55.9	53.1	58.9	20.6	M8 x 60 (40)	6000 (420)
3/4"	23.9	50.8	60.5	71.4	70.1	68.1	74.9	25.9	M10 x 70 (45)	6000 (420)
1"	27.7	57.2	69.9	81.0	81.0	75.9	85.1	26.2	M12 x 70 (45)	6000 (420)
1-1/4"	31.8	66.8	77.7	95.3	90.9	83.1	99.1	31.8	M12 x 80 (50)	6000 (420)
1-1/4" (2)	31.8	66.8	77.7	95.3	90.9	83.1	99.1	31.8	M14 x 80 (50)	6000 (420)
1-1/2"	36.6	79.5	95.3	112.8	108.0	101.1	116.1	35.1	M16 x 100 (65)	6000 (420)
2"	44.5	96.8	114.3	133.4	128.0	119.9	136.9	42.7	M20 x 120 (70)	6000 (420)

* SHCS Bolt Specification

Carbon Steel: DIN912 / ISO4762 Grade 8.8

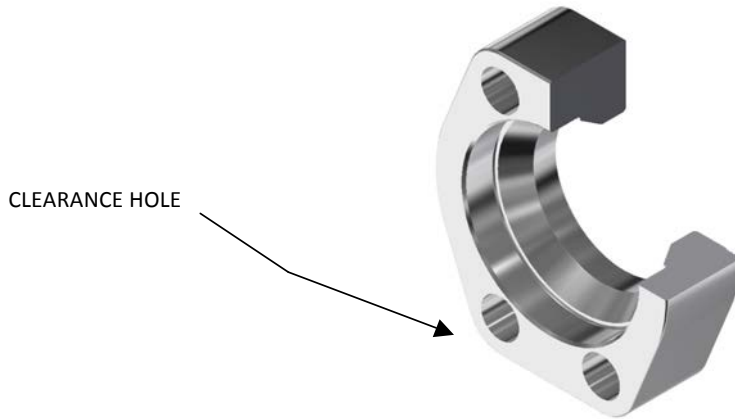
316 Stainless Steel: DIN912 / ISO4762 A480

(2) Designates M14 Bolt – Special Order

3D step models available upon request

SAE 6000 PSI Flare Flange with Clearance Holes, NPS

SAE J518 Code 62 (ISO 6162-2)



FFC64 - Flare Flange with Clearance Holes, NPS				
Size	Pipe O.D. (in)	Standard Part Number	Working Pressure PSI (Bar)	Weight lbs (kg)
1/2"	0.840	FFC64-050-*	6000 (420)	0.56 (0.25)
3/4"	1.050	FFC64-075-*	6000 (420)	0.97 (0.44)
1"	1.315	FFC64-100-*	6000 (420)	1.27 (0.58)
1-1/4"	1.660	FFC64-125-*	6000 (420)	1.89 (0.86)
1-1/2"	1.900	FFC64-150-*	6000 (420)	3.32 (1.51)
2"	2.375	FFC64-200-*	6000 (420)	5.00 (2.27)

*** Materials:**

Standard, No Designation = Carbon Steel, Clear Zinc Plated (Cr6 Free).

HDG = Carbon Steel, Hot Dip Galvanized.

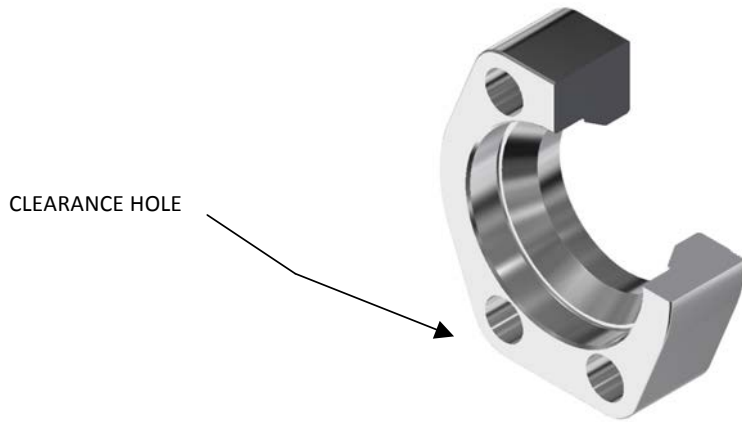
SS = Stainless Steel, Type 316.

Ordering Example: FFC64-200-SS

* Insert Material _____

SAE 6000 PSI Flare Flange with Clearance Holes, Metric

SAE J518 Code 62 (ISO 6162-2)



FFCM64 - Flare Flange with Clearance Holes, Metric

Size	Pipe O.D. (mm)	Standard Part Number	Working Pressure PSI (Bar)	Weight lbs (kg)
1/2"	16	FFCM64-050-16MM-*	6000 (420)	0.56 (0.25)
1/2"	18	FFCM64-050-18MM-*	6000 (420)	0.56 (0.25)
1/2"	20	FFCM64-050-20MM-*	6000 (420)	0.56 (0.25)
1/2"	25	FFCM64-050-25MM-*	6000 (420)	0.56 (0.25)
3/4"	20	FFCM64-075-20MM-*	6000 (420)	0.97 (0.44)
3/4"	25	FFCM64-075-25MM-*	6000 (420)	0.97 (0.44)
3/4"	30	FFCM64-075-30MM-*	6000 (420)	0.97 (0.44)
1"	25	FFCM64-100-25MM-*	6000 (420)	1.27 (0.58)
1"	30	FFCM64-100-30MM-*	6000 (420)	1.27 (0.58)
1"	38	FFCM64-100-38MM-*	6000 (420)	1.27 (0.58)
1-1/4"	30	FFCM64-125-30MM-*	6000 (420)	1.89 (0.86)
1-1/4"	38	FFCM64-125-38MM-*	6000 (420)	1.89 (0.86)
1-1/4"	42	FFC64-125-*	6000 (420)	1.89 (0.86)
1-1/4" (2)	30	FFCM64-125-M14-30MM-*	6000 (420)	1.89 (0.86)
1-1/4" (2)	38	FFCM64-125-M14-38MM-*	6000 (420)	1.89 (0.86)
1-1/4" (2)	42	FFCM64-125-M14-42MM-*	6000 (420)	1.89 (0.86)
1-1/2"	30	FFCM64-150-30MM-*	6000 (420)	3.32 (1.51)
1-1/2"	38	FFCM64-150-38MM-*	6000 (420)	3.32 (1.51)
1-1/2"	42	FFCM64-150-42MM-*	6000 (420)	3.32 (1.51)
1-1/2"	50	FFCM64-150-50MM-*	6000 (420)	3.32 (1.51)
2"	50	FFCM64-200-50MM-*	6000 (420)	5.00 (2.27)
2"	60	FFC64-200-*	6000 (420)	5.00 (2.27)

*** Materials:**

Standard, No Designation = Carbon Steel, Clear Zinc Plated (Cr6 Free).

HDG = Carbon Steel, Hot Dip Galvanized.

SS = Stainless Steel, Type 316.

(2) Designates M14 Bolt – Special Order

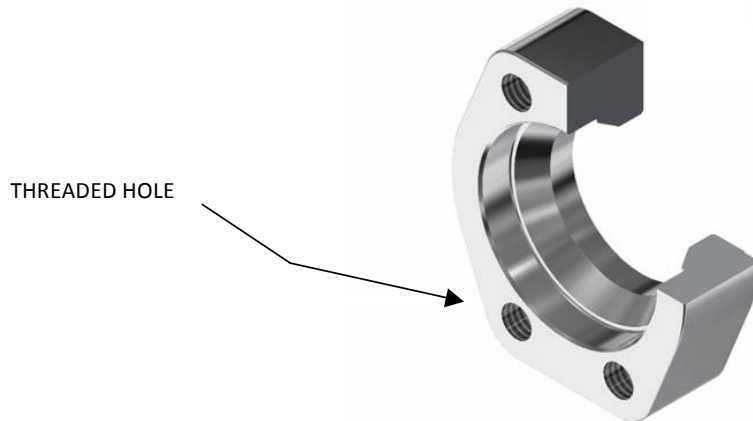
Ordering Example: FFCM64-200-50MM-SS

* Insert Material

3D step models available upon request

SAE 6000 PSI Flare Flange with Threaded Holes, NPS

SAE J518 Code 62 (ISO 6162-2)



FFT64 - Flare Flange with Threaded Holes, NPS				
Size	Pipe O.D. (in)	Standard Part Number	Working Pressure PSI (Bar)	Weight lbs (kg)
1/2"	0.840	FFT64-050-*	6000 (420)	0.56 (0.25)
3/4"	1.050	FFT64-075-*	6000 (420)	1.03 (0.47)
1"	1.315	FFT64-100-*	6000 (420)	1.39 (0.63)
1-1/4"	1.660	FFT64-125-*	6000 (420)	2.09 (0.95)
1-1/2"	1.900	FFT64-150-*	6000 (420)	3.85 (1.75)
2"	2.375	FFT64-200-*	6000 (420)	6.04 (2.75)

*** Materials:**

Standard, No Designation = Carbon Steel, Clear Zinc Plated (Cr6 Free).

HDG = Carbon Steel, Hot Dip Galvanized.

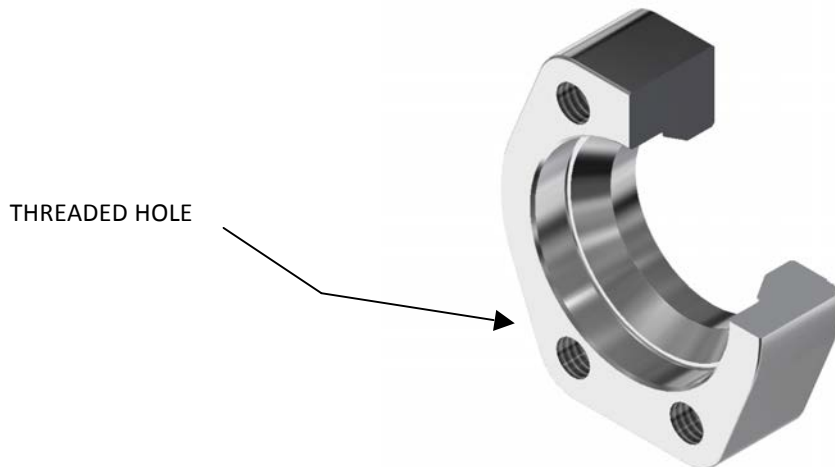
SS = Stainless Steel, Type 316.

Ordering Example: FFT64-200-SS

* Insert Material _____

SAE 6000 PSI Flare Flange with Threaded Holes, Metric

SAE J518 Code 62 (ISO 6162-2)



FFTM64 - Flare Flange with Threaded Holes, Metric

Size	Pipe O.D. (mm)	Standard Part Number	Working Pressure PSI (Bar)	Weight lbs (kg)
1/2"	16	FFTM64-050-16MM-*	6000 (420)	0.56 (0.25)
1/2"	18	FFTM64-050-18MM-*	6000 (420)	0.56 (0.25)
1/2"	20	FFTM64-050-20MM-*	6000 (420)	0.56 (0.25)
1/2"	25	FFTM64-050-25MM-*	6000 (420)	0.56 (0.25)
3/4"	20	FFTM64-075-20MM-*	6000 (420)	1.03 (0.47)
3/4"	25	FFTM64-075-25MM-*	6000 (420)	1.03 (0.47)
3/4"	30	FFTM64-075-30MM-*	6000 (420)	1.03 (0.47)
1"	25	FFTM64-100-25MM-*	6000 (420)	1.39 (0.63)
1"	30	FFTM64-100-30MM-*	6000 (420)	1.39 (0.63)
1"	38	FFTM64-100-38MM-*	6000 (420)	1.39 (0.63)
1-1/4"	30	FFTM64-125-30MM-*	6000 (420)	2.09 (0.95)
1-1/4"	38	FFTM64-125-38MM-*	6000 (420)	2.09 (0.95)
1-1/4"	42	FFTM64-125-42MM-*	6000 (420)	2.09 (0.95)
1-1/4" (2)	30	FFTM64-125-M14-30MM-*	6000 (420)	2.09 (0.95)
1-1/4" (2)	38	FFTM64-125-M14-38MM-*	6000 (420)	2.09 (0.95)
1-1/4" (2)	42	FFTM64-125-M14-42MM-*	6000 (420)	2.09 (0.95)
1-1/2"	30	FFTM64-150-30MM-*	6000 (420)	3.85 (1.75)
1-1/2"	38	FFTM64-150-38MM-*	6000 (420)	3.85 (1.75)
1-1/2"	42	FFTM64-150-42MM-*	6000 (420)	3.85 (1.75)
1-1/2"	50	FFTM64-150-50MM-*	6000 (420)	3.85 (1.75)
2"	50	FFTM64-200-50MM-*	6000 (420)	6.04(2.75)
2"	60	FFTM64-200-60MM-*	6000 (420)	6.04(2.75)

*** Materials:**

Standard, No Designation = Carbon Steel, Clear Zinc Plated (Cr6 Free).

HDG = Carbon Steel, Hot Dip Galvanized.

SS = Stainless Steel, Type 316.

(2) Designates M14 Bolt – Special Order

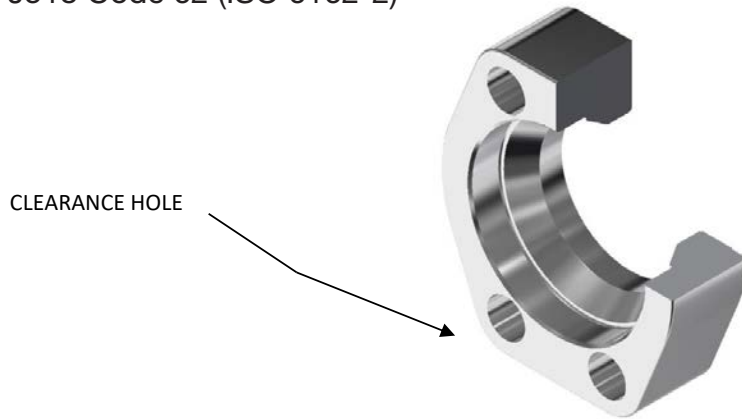
Ordering Example: FFTM64-200-50MM-SS

* Insert Material

3D step models available upon request

SAE 6000 PSI Flare Flange - Reducing with Clearance Holes, NPS

SAE J518 Code 62 (ISO 6162-2)



Note:
Reducing Flanges
for NPS Pipe Only

FFCR64 - Flare Flange - Reducing with Clearance Holes, NPS			
Size (flange x pipe)	Standard Part Number	Working Pressure PSI (Bar)	Weight lbs (kg)
3/4" x 1/2"	FFCR64-075 x 050	6000 (420)	0.56 (0.25)
1" x 3/4"	FFCR64-100 x 075	6000 (420)	0.97 (0.44)
1-1/4" x 1"	FFCR64-125 x 100	6000 (420)	1.27 (0.58)
1-1/2" x 1-1/4"	FFCR64-150 x 125	6000 (420)	1.89 (0.86)
2" x 1-1/2"	FFCR64-200 x 150	6000 (420)	3.32 (1.51)
2-1/2" x 2"	FFCR64-250 x 200	6000 (420)	5.00 (2.27)

*** Materials:**

Standard, No Designation = Carbon Steel, Clear Zinc Plated (Cr6 Free).

HDG = Carbon Steel, Hot Dip Galvanized.

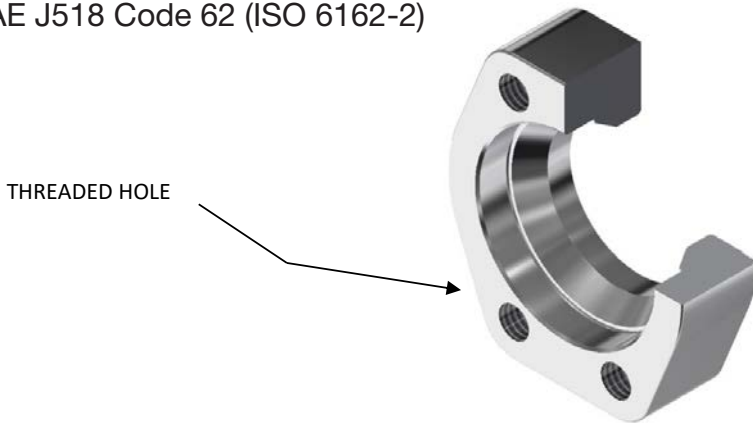
SS = Stainless Steel, Type 316.

Ordering Example: FFCR64-075 x 050-SS

* Insert Material

SAE 6000 PSI Flare Flange - Reducing with Threaded Holes, NPS

SAE J518 Code 62 (ISO 6162-2)



Note:
Reducing Flanges
for NPS Pipe Only

FFTR64 - Flare Flange - Reducing with Threaded Holes, NPS			
Size (flange x pipe)	Standard Part Number	Working Pressure PSI (Bar)	Weight lbs (kg)
3/4" x 1/2"	FFTR64-075 x 050	6000 (420)	0.56 (0.25)
1" x 3/4"	FFTR64-100 x 075	6000 (420)	1.03 (0.47)
1-1/4" x 1"	FFTR64-125 x 100	6000 (420)	1.39 (0.63)
1-1/2" x 1-1/4"	FFTR64-150 x 125	6000 (420)	2.09 (0.95)
2" x 1-1/2"	FFTR64-200 x 150	6000 (420)	3.85 (1.75)
2-1/2" x 2"	FFTR64-250 x 200	6000 (420)	6.04(2.75)

*** Materials:**

Standard, No Designation = Carbon Steel, Clear Zinc Plated (Cr6 Free).

HDG = Carbon Steel, Hot Dip Galvanized.

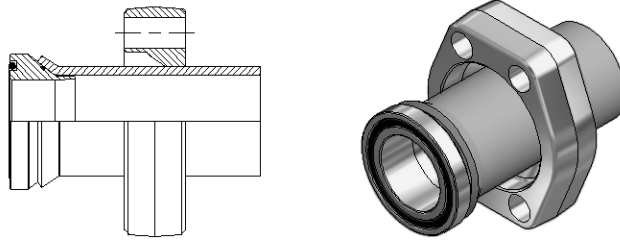
SS = Stainless Steel, Type 316.

Ordering Example: FFTR64-075 x 050-SS

* Insert Material

SAE 6000 PSI Flare Flange Set O-Ring Face with Clearance Holes, NPS

SAE J518 Code 62 (ISO 6162-2)



Complete Flange Set Includes:

- One (1) Flare Flange
- One (1) O-Ring Face Cone
- One (1) Face O-Ring (O-Ring 2)
- One (1) Back Up O-Ring (O-Ring 1)

To be Ordered Separately:

- Bolt Kit (See Page H1)

FFC64-CO - Flare Flange Set O-Ring Face with Clearance Holes, NPS

Size	Pipe Size	Complete Flange Set Part Number	WT/Set lbs (kgs)	Flange Part Number	O-Ring Face Cone Insert Part Number	O-Ring 1 (VITON) Part Number	O-Ring 2 (Buna) Part Number
1/2"	1/2" SCH40	FFC64-CO-SCH40-050-*^-^	0.66 (0.30)	FFC64-050-*	CO-SCH40-050-*^-^	ORV-1915	OR^-2-210
1/2"	1/2" SCH80	FFC64-CO-SCH80-050-*^-^	0.65 (0.30)	FFC64-050-*	CO-SCH80-050-*^-^	ORV-1715	OR^-2-210
3/4"	3/4" SCH40	FFC64-CO-SCH40-075-*^-^	1.09 (0.50)	FFC64-075-*	CO-SCH40-075-*^-^	ORV-2515	OR^-2-214
3/4"	3/4" SCH80	FFC64-CO-SCH80-075-*^-^	1.07 (0.49)	FFC64-075-*	CO-SCH80-075-*^-^	ORV-2315	OR^-2-214
1"	1" SCH40	FFC64-CO-SCH40-100-*^-^	1.47 (0.67)	FFC64-100-*	CO-SCH40-100-*^-^	ORV-3015	OR^-2-219
1"	1" SCH80	FFC64-CO-SCH80-100-*^-^	1.46 (0.66)	FFC64-100-*	CO-SCH80-100-*^-^	ORV-2815	OR^-2-219
1-1/4"	1-1/4" SCH40	FFC64-CO-SCH40-125-*^-^	2.14 (0.97)	FFC64-125-*	CO-SCH40-125-*^-^	ORV-3815	OR^-2-222
1-1/4"	1-1/4" SCH80	FFC64-CO-SCH80-125-*^-^	2.13 (0.97)	FFC64-125-*	CO-SCH80-125-*^-^	ORV-3815	OR^-2-222
1-1/2"	1-1/2" SCH40	FFC64-CO-SCH40-150-*^-^	3.73 (1.70)	FFC64-150-*	CO-SCH40-150-*^-^	ORV-4315	OR^-2-225
1-1/2"	1-1/2" SCH80	FFC64-CO-SCH80-150-*^-^	3.72 (1.69)	FFC64-150-*	CO-SCH80-150-*^-^	ORV-4315	OR^-2-225
1-1/2"	1-1/2" SCH160	FFC64-CO-SCH160-150-*^-^	3.72 (1.69)	FFC64-150-*	CO-SCH160-150-*^-^	ORV-3815	OR^-2-225
2"	2" SCH40	FFC64-CO-SCH40-200-*^-^	5.47 (2.49)	FFC64-200-*	CO-SCH40-200-*^-^	ORV-5615	OR^-2-228
2"	2" SCH80	FFC64-CO-SCH80-200-*^-^	5.49 (2.50)	FFC64-200-*	CO-SCH80-200-*^-^	ORV-5515	OR^-2-228
2"	2" SCH160	FFC64-CO-SCH160-200-*^-^	5.67 (2.57)	FFC64-200-*	CO-SCH160-200-*^-^	ORV-5015	OR^-2-228

* Materials:

Standard, No Designation = All Carbon Steel, Clear Zinc Plated (Cr6 Free).

SS = Stainless Steel, Type 316.

ZSS = Carbon Steel Flange with Stainless Steel Cone, Type 316.

HDGSS = Carbon Steel, Hot Dip Galvanized Flange with Stainless Steel Cone, Type 316.

^ O-Ring 2 Type:

Standard, No Designation = Buna Nitrile.

V = Viton.

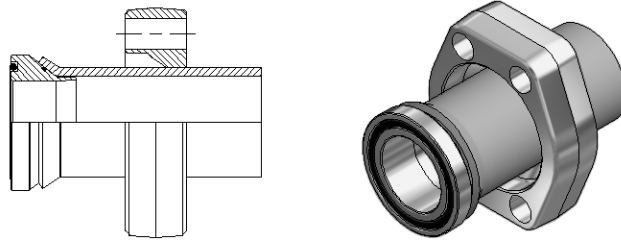
Ordering Example: FFC64-CO-SCH80-200-SS-V

* Insert Material _____

^ Insert O-Ring 2 Type _____

SAE 6000 PSI Flare Flange Set O-Ring Face with Clearance Holes, Metric

SAE J518 Code 62 (ISO 6162-2)



Complete Flange Set Includes:

- One (1) Flare Flange
- One (1) O-Ring Face Cone
- One (1) Face O-Ring (O-Ring 2)
- One (1) Back Up O-Ring (O-Ring 1)

To be Ordered Separately:

- Bolt Kit (See Page H1)

FFCM64-CO - Flare Flange Set O-Ring Face with Clearance Holes, Metric

Size	Pipe Size	Complete Flange Set Part Number	WT/Set lbs (kgs)	Flange Part Number	O-Ring Face Cone Insert Part Number	O-Ring 1 (VITON) Part Number	O-Ring 2 (Buna) Part Number
1/2"	20x2.0	FFCM64-CO-20x2.0-050-*^	0.67 (0.31)	FFCM64-050-20MM-*	CO-20x2.0-050-*^	ORV-1715	OR^-2-210
1/2"	20x3.0	FFCM64-CO-20x3.0-050-*^	0.67 (0.31)	FFCM64-050-20MM-*	CO-20x3.0-050-*^	ORV-1715	OR^-2-210
1/2"	25x2.5	FFCM64-CO-25x2.5-050-*^	0.67 (0.31)	FFCM64-050-25MM-*	CO-25x2.5-050-*^	ORV-2315	OR^-2-210
1/2"	25x3.0	FFCM64-CO-25x3.0-050-*^	0.67 (0.31)	FFCM64-050-25MM-*	CO-25x3.0-050-*^	ORV-2315	OR^-2-210
3/4"	20x2.0	FFCM64-CO-20x2.0-075-*^	1.08 (0.49)	FFCM64-075-20MM-*	CO-20x2.0-075-*^	ORV-1715	OR^-2-214
3/4"	20x2.5	FFCM64-CO-20x2.5-075-*^	1.08 (0.49)	FFCM64-075-20MM-*	CO-20x2.5-075-*^	ORV-1715	OR^-2-214
3/4"	20x3.0	FFCM64-CO-20x3.0-075-*^	1.08 (0.49)	FFCM64-075-20MM-*	CO-20x3.0-075-*^	ORV-1715	OR^-2-214
3/4"	25x2.5	FFCM64-CO-25x2.5-075-*^	1.08 (0.49)	FFCM64-075-25MM-*	CO-25x2.5-075-*^	ORV-2315	OR^-2-214
3/4"	25x3.0	FFCM64-CO-25x3.0-075-*^	1.08 (0.49)	FFCM64-075-25MM-*	CO-25x3.0-075-*^	ORV-2315	OR^-2-214
3/4"	25x4.0	FFCM64-CO-25x4.0-075-*^	1.08 (0.49)	FFCM64-075-25MM-*	CO-25x4.0-075-*^	ORV-2315	OR^-2-214
3/4"	30x3.0	FFCM64-CO-30x3.0-075-*^	1.10 (0.50)	FFCM64-075-30MM-*	CO-30x3.0-075-*^	ORV-2515	OR^-2-214
1"	25x2.5	FFCM64-CO-25x2.5-100-*^	1.45 (0.66)	FFCM64-100-25MM-*	CO-25x2.5-100-*^	ORV-2315	OR^-2-219
1"	25x3.0	FFCM64-CO-25x3.0-100-*^	1.45 (0.66)	FFCM64-100-25MM-*	CO-25x3.0-100-*^	ORV-2315	OR^-2-219
1"	25x4.0	FFCM64-CO-25x4.0-100-*^	1.45 (0.66)	FFCM64-100-25MM-*	CO-25x4.0-100-*^	ORV-2315	OR^-2-219
1"	30x3.0	FFCM64-CO-30x3.0-100-*^	1.47 (0.67)	FFCM64-100-30MM-*	CO-30x3.0-100-*^	ORV-2815	OR^-2-219
1"	30x4.0	FFCM64-CO-30x4.0-100-*^	1.47 (0.67)	FFCM64-100-30MM-*	CO-30x4.0-100-*^	ORV-2815	OR^-2-219
1"	30x5.0	FFCM64-CO-30x5.0-100-*^	1.47 (0.67)	FFCM64-100-30MM-*	CO-30x5.0-100-*^	ORV-2815	OR^-2-219
1"	38x4.0	FFCM64-CO-38x4.0-100-*^	1.49 (0.68)	FFCM64-100-38MM-*	CO-38x4.0-100-*^	ORV-3515	OR^-2-219
1"	38x5.0	FFCM64-CO-38x5.0-100-*^	1.49 (0.68)	FFCM64-100-38MM-*	CO-38x5.0-100-*^	ORV-3215	OR^-2-219
1-1/4"	30x3.0	FFCM64-CO-30x3.0-125-*^	2.11 (0.96)	FFCM64-125-30MM-*	CO-30x3.0-125-*^	ORV-2815	OR^-2-222
1-1/4"	30x4.0	FFCM64-CO-30x4.0-125-*^	2.11 (0.96)	FFCM64-125-30MM-*	CO-30x4.0-125-*^	ORV-2815	OR^-2-222
1-1/4"	30x5.0	FFCM64-CO-30x5.0-125-*^	2.11 (0.96)	FFCM64-125-30MM-*	CO-30x5.0-125-*^	ORV-2815	OR^-2-222
1-1/4"	38x4.0	FFCM64-CO-38x4.0-125-*^	2.13 (0.97)	FFCM64-125-38MM-*	CO-38x4.0-125-*^	ORV-3515	OR^-2-222
1-1/4"	38x5.0	FFCM64-CO-38x5.0-125-*^	2.13 (0.97)	FFCM64-125-38MM-*	CO-38x5.0-125-*^	ORV-3215	OR^-2-222
1-1/4"	42x3.0	FFCM64-CO-42x3.0-125-*^	2.18 (0.99)	FFC64-125-*	CO-42x3.0-125-*^	ORV-3815	OR^-2-222
1-1/4"	42x4.0	FFCM64-CO-42x4.0-125-*^	2.18 (0.99)	FFC64-125-*	CO-42x4.0-125-*^	ORV-3815	OR^-2-222

* Materials:

Standard, No Designation = All Carbon Steel, Clear Zinc Plated (Cr6 Free).

SS = Stainless Steel, Type 316.

ZSS = Carbon Steel Flange with Stainless Steel Cone, Type 316.

HDGSS = Carbon Steel, Hot Dip Galvanized Flange with Stainless Steel Cone, Type 316.

^ O-Ring 2 Type:

Standard, No Designation = Buna Nitrile.

V = Viton.

Ordering Example: FFCM64-CO-50x3.0-200-SS-V

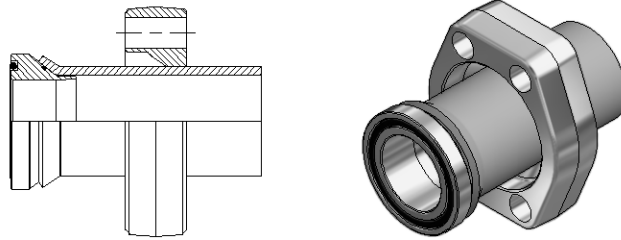
* Insert Material

^ Insert O-Ring 2 Type

3D step models available upon request

SAE 6000 PSI Flare Flange Set O-Ring Face with Clearance Holes, Metric

SAE J518 Code 62 (ISO 6162-2)



Complete Flange Set Includes:

- One (1) Flare Flange
- One (1) O-Ring Face Cone
- One (1) Face O-Ring (O-Ring 2)
- One (1) Back Up O-Ring (O-Ring 1)

To be Ordered Separately:

- Bolt Kit (See Page H1)

FFCM64-CO - Flare Flange Set O-Ring Face with Clearance Holes, Metric

Size	Pipe Size	Complete Flange Set Part Number	WT/Set lbs (kgs)	Flange Part Number	O-Ring Face Cone Insert Part Number	O-Ring 1 (VITON) Part Number	O-Ring 2 (Buna) Part Number
1-1/4" (2)	30x3.0	FFCM64-CO-30x3.0-125-M14-*^	2.11 (0.96)	FFCM64-125-M14-30MM-*	CO-30x3.0-125-*^	ORV-2815	OR^2-222
1-1/4" (2)	30x4.0	FFCM64-CO-30x4.0-125-M14-*^	2.11 (0.96)	FFCM64-125-M14-30MM-*	CO-30x4.0-125-*^	ORV-2815	OR^2-222
1-1/4" (2)	30x5.0	FFCM64-CO-30x5.0-125-M14-*^	2.11 (0.96)	FFCM64-125-M14-30MM-*	CO-30x5.0-125-*^	ORV-2815	OR^2-222
1-1/4" (2)	38x4.0	FFCM64-CO-38x4.0-125-M14-*^	2.13 (0.97)	FFCM64-125-M14-38MM-*	CO-38x4.0-125-*^	ORV-3515	OR^2-222
1-1/4" (2)	38x5.0	FFCM64-CO-38x5.0-125-M14-*^	2.13 (0.97)	FFCM64-125-M14-38MM-*	CO-38x5.0-125-*^	ORV-3215	OR^2-222
1-1/4" (2)	42x3.0	FFCM64-CO-42x3.0-125-M14-*^	2.18 (0.99)	FFCM64-125-M14-42MM-*	CO-42x3.0-125-*^	ORV-3815	OR^2-222
1-1/4" (2)	42x4.0	FFCM64-CO-42x4.0-125-M14-*^	2.18 (0.99)	FFCM64-125-M14-42MM-*	CO-42x4.0-125-*^	ORV-3815	OR^2-222
1-1/2"	30x3.0	FFCM64-CO-30x3.0-150-*^	3.69 (1.68)	FFCM64-150-30MM-*	CO-30x3.0-150-*^	ORV-2815	OR^2-225
1-1/2"	38x4.0	FFCM64-CO-38x4.0-150-*^	3.72 (1.69)	FFCM64-150-38MM-*	CO-38x4.0-150-*^	ORV-3215	OR^2-225
1-1/2"	42x3.0	FFCM64-CO-42x3.0-150-*^	3.72 (1.69)	FFCM64-150-42MM-*	CO-42x3.0-150-*^	ORV-3815	OR^2-225
1-1/2"	42x4.0	FFCM64-CO-42x4.0-150-*^	3.72 (1.69)	FFCM64-150-42MM-*	CO-42x4.0-150-*^	ORV-3815	OR^2-225
1-1/2"	50x3.0	FFCM64-CO-50x3.0-150-*^	3.74 (1.70)	FFCM64-150-50MM-*	CO-50x3.0-150-*^	ORV-4715	OR^2-225
1-1/2"	50x5.0	FFCM64-CO-50x5.0-150-*^	3.74 (1.70)	FFCM64-150-50MM-*	CO-50x5.0-150-*^	ORV-4515	OR^2-225
1-1/2"	50x6.0	FFCM64-CO-50x6.0-150-*^	3.74 (1.70)	FFCM64-150-50MM-*	CO-50x6.0-150-*^	ORV-4515	OR^2-225
1-1/2"	56x8.5	FFCM64-CO-56x8.5-150-*^	3.75 (1.70)	FFCM64-150-56MM-*	CO-56x8.5-150-*^	ORV-4315	OR^2-225
2"	50x3.0	FFCM64-CO-50x3.0-200-*^	5.44 (2.47)	FFCM64-200-50MM-*	CO-50x3.0-200-*^	ORV-4515	OR^2-228
2"	50x5.0	FFCM64-CO-50x5.0-200-*^	5.44 (2.47)	FFCM64-200-50MM-*	CO-50x5.0-200-*^	ORV-4515	OR^2-228
2"	50x6.0	FFCM64-CO-50x6.0-200-*^	5.44 (2.47)	FFCM64-200-50MM-*	CO-50x6.0-200-*^	ORV-4515	OR^2-228
2"	60x3.0	FFCM64-CO-60x3.0-200-*^	5.46 (2.48)	FFC64-200-*	CO-60x3.0-200-*^	ORV-5715	OR^2-228
2"	60x5.0	FFCM64-CO-60x5.0-200-*^	5.46 (2.48)	FFC64-200-*	CO-60x5.0-200-*^	ORV-5615	OR^2-228
2"	60x6.0	FFCM64-CO-60x6.0-200-*^	5.46 (2.48)	FFC64-200-*	CO-60x6.0-200-*^	ORV-5615	OR^2-228
2"	60x8.0	FFCM64-CO-60x8.0-200-*^	5.46 (2.48)	FFC64-200-*	CO-60x8.0-200-*^	ORV-5015	OR^2-228
2"	66x8.5	FFCM64-CO-66x8.5-200-*^	5.46 (2.48)	FFCM64-200-66MM-*	CO-66x8.5-200-*^	ORV-5615	OR^2-228

* Materials:

Standard, No Designation = All Carbon Steel, Clear Zinc Plated (Cr6 Free).

SS = Stainless Steel, Type 316.

ZSS = Carbon Steel Flange with Stainless Steel Cone, Type 316.

HDGSS = Carbon Steel, Hot Dip Galvanized Flange with Stainless Steel Cone, Type 316.

^ O-Ring 2 Type:

Standard, No Designation = Buna Nitrile.

V = Viton.

(2) Designates M14 Bolt - Special Order

Ordering Example: FFCM64-CO-50x3.0-200-SS-V

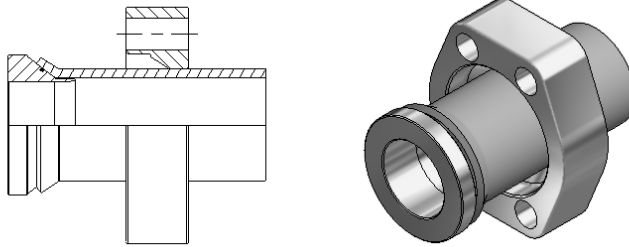
* Insert Material _____

^ Insert O-Ring 2 Type _____

3D step models available upon request

SAE 6000 PSI Flare Flange Set Flat Face with Clearance Holes, NPS

SAE J518 Code 62 (ISO 6162-2)



Complete Flange Set Includes:

- One (1) Flare Flange
- One (1) Flat Face Cone
- One (1) Back Up O-Ring (O-Ring 1)

To be Ordered Separately:

- Bolt Kit (See Page H1)

FFC64-CF - Flare Flange Set Flat Face with Clearance Holes, NPS

Size	Pipe Size	Complete Flange Set Part Number	WT/Set lbs (kgs)	Flange Part Number	Flat Face Cone Insert Part Number	O-Ring 1 (VITON) Part Number
1/2"	1/2" SCH40	FFC64-CF-SCH40-050-*	0.67 (0.30)	FFC64-050-*	CF-SCH40-050-*	ORV-1915
1/2"	1/2" SCH80	FFC64-CF-SCH80-050-*	0.66 (0.30)	FFC64-050-*	CF-SCH80-050-*	ORV-1715
3/4"	3/4" SCH40	FFC64-CF-SCH40-075-*	1.10 (0.50)	FFC64-075-*	CF-SCH40-075-*	ORV-2515
3/4"	3/4" SCH80	FFC64-CF-SCH80-075-*	1.08 (0.49)	FFC64-075-*	CF-SCH80-075-*	ORV-2315
1"	1" SCH40	FFC64-CF-SCH40-100-*	1.48 (0.67)	FFC64-100-*	CF-SCH40-100-*	ORV-3015
1"	1" SCH80	FFC64-CF-SCH80-100-*	1.47 (0.66)	FFC64-100-*	CF-SCH80-100-*	ORV-2815
1-1/4"	1-1/4" SCH40	FFC64-CF-SCH40-125-*	2.16 (0.98)	FFC64-125-*	CF-SCH40-125-*	ORV-3815
1-1/4"	1-1/4" SCH80	FFC64-CF-SCH80-125-*	2.14 (0.97)	FFC64-125-*	CF-SCH80-125-*	ORV-3815
1-1/2"	1-1/2" SCH40	FFC64-CF-SCH40-150-*	3.75 (1.71)	FFC64-150-*	CF-SCH40-150-*	ORV-4315
1-1/2"	1-1/2" SCH80	FFC64-CF-SCH80-150-*	3.73 (1.70)	FFC64-150-*	CF-SCH80-150-*	ORV-4315
1-1/2"	1-1/2" SCH160	FFC64-CF-SCH160-150-*	3.73 (1.70)	FFC64-150-*	CF-SCH160-150-*	ORV-3815
2"	2" SCH40	FFC64-CF-SCH40-200-*	5.49 (2.50)	FFC64-200-*	CF-SCH40-200-*	ORV-5615
2"	2" SCH80	FFC64-CF-SCH80-200-*	5.48 (2.49)	FFC64-200-*	CF-SCH80-200-*	ORV-5515
2"	2" SCH160	FFC64-CF-SCH160-200-*	5.45 (2.48)	FFC64-200-*	CF-SCH160-200-*	ORV-5015

*** Materials:**

Standard, No Designation = All Carbon Steel, Clear Zinc Plated (Cr6 Free).

SS = Stainless Steel, Type 316.

ZSS = Carbon Steel Flange with Stainless Steel Cone, Type 316.

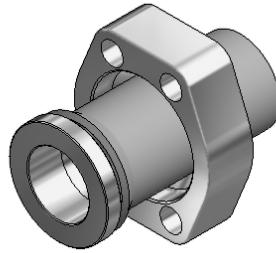
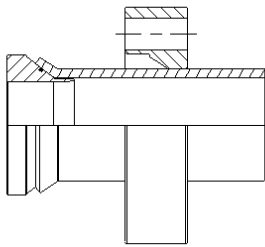
HDGSS = Carbon Steel, Hot Dip Galvanized Flange with Stainless Steel Cone, Type 316.

Ordering Example: FFC64-CF-SCH80-200-SS

* Insert Material _____

SAE 6000 PSI Flare Flange Set Flat Face with Clearance Holes, Metric

SAE J518 Code 62 (ISO 6162-2)



Complete Flange Set Includes:

- One (1) Flare Flange
- One (1) Flat Face Cone
- One (1) Back Up O-Ring (O-Ring 1)

To be Ordered Separately:

- Bolt Kit (See Page H1)

FFCM64-CF - Flare Flange Set Flat Face with Clearance Holes, Metric						
Size	Pipe Size	Complete Flange Set Part Number	WT/Set lbs (kgs)	Flange Part Number	Flat Face Cone Insert Part Number	O-Ring 1 (VITON) Part Number
1/2"	20x2.0	FFCM64-CF-20x2.0-050-*	0.67 (0.30)	FFCM64-050-20MM-*	CF-20x2.0-050-*	ORV-1715
1/2"	20x3.0	FFCM64-CF-20x3.0-050-*	0.67 (0.30)	FFCM64-050-20MM-*	CF-20x3.0-050-*	ORV-1715
1/2"	25x2.5	FFCM64-CF-25x2.5-050-*	0.67 (0.30)	FFCM64-050-25MM-*	CF-25x2.5-050-*	ORV-2315
1/2"	25x3.0	FFCM64-CF-25x3.0-050-*	0.67 (0.30)	FFCM64-050-25MM-*	CF-25x3.0-050-*	ORV-2315
3/4"	20x2.0	FFCM64-CF-20x2.0-075-*	1.08 (0.49)	FFCM64-075-20MM-*	CF-20x2.0-075-*	ORV-1715
3/4"	20x2.5	FFCM64-CF-20x2.5-075-*	1.08 (0.49)	FFCM64-075-20MM-*	CF-20x2.5-075-*	ORV-1715
3/4"	20x3.0	FFCM64-CF-20x3.0-075-*	1.08 (0.49)	FFCM64-075-20MM-*	CF-20x3.0-075-*	ORV-1715
3/4"	25x2.5	FFCM64-CF-25x2.5-075-*	1.08 (0.49)	FFCM64-075-25MM-*	CF-25x2.5-075-*	ORV-2315
3/4"	25x3.0	FFCM64-CF-25x3.0-075-*	1.08 (0.49)	FFCM64-075-25MM-*	CF-25x3.0-075-*	ORV-2315
3/4"	25x4.0	FFCM64-CF-25x4.0-075-*	1.08 (0.49)	FFCM64-075-25MM-*	CF-25x4.0-075-*	ORV-2315
3/4"	30x3.0	FFCM64-CF-30x3.0-075-*	1.11 (0.50)	FFCM64-075-30MM-*	CF-30x3.0-075-*	ORV-2515
1"	25x2.5	FFCM64-CF-25x2.5-100-*	1.46 (0.66)	FFCM64-100-25MM-*	CF-25x2.5-100-*	ORV-2315
1"	25x3.0	FFCM64-CF-25x3.0-100-*	1.46 (0.66)	FFCM64-100-25MM-*	CF-25x3.0-100-*	ORV-2315
1"	25x4.0	FFCM64-CF-25x4.0-100-*	1.46 (0.66)	FFCM64-100-25MM-*	CF-25x4.0-100-*	ORV-2315
1"	30x3.0	FFCM64-CF-30x3.0-100-*	1.48 (0.67)	FFCM64-100-30MM-*	CF-30x3.0-100-*	ORV-2815
1"	30x4.0	FFCM64-CF-30x4.0-100-*	1.48 (0.67)	FFCM64-100-30MM-*	CF-30x4.0-100-*	ORV-2815
1"	30x5.0	FFCM64-CF-30x5.0-100-*	1.48 (0.67)	FFCM64-100-30MM-*	CF-30x5.0-100-*	ORV-2815
1"	38x4.0	FFCM64-CF-38x4.0-100-*	1.50 (0.68)	FFCM64-100-38MM-*	CF-38x4.0-100-*	ORV-3515
1"	38x5.0	FFCM64-CF-38x5.0-100-*	1.50 (0.68)	FFCM64-100-38MM-*	CF-38x5.0-100-*	ORV-3215
1-1/4"	30x3.0	FFCM64-CF-30x3.0-125-*	2.12 (0.96)	FFCM64-125-30MM-*	CF-30x3.0-125-*	ORV-2815
1-1/4"	30x4.0	FFCM64-CF-30x4.0-125-*	2.12 (0.96)	FFCM64-125-30MM-*	CF-30x4.0-125-*	ORV-2815
1-1/4"	30x5.0	FFCM64-CF-30x5.0-125-*	2.12 (0.96)	FFCM64-125-30MM-*	CF-30x5.0-125-*	ORV-2815
1-1/4"	38x4.0	FFCM64-CF-38x4.0-125-*	2.14 (0.97)	FFCM64-125-38MM-*	CF-38x4.0-125-*	ORV-3515
1-1/4"	38x5.0	FFCM64-CF-38x5.0-125-*	2.14 (0.97)	FFCM64-125-38MM-*	CF-38x5.0-125-*	ORV-3215
1-1/4"	42x3.0	FFCM64-CF-42x3.0-125-*	2.19 (1.00)	FFC64-125-*	CF-42x3.0-125-*	ORV-3815
1-1/4"	42x4.0	FFCM64-CF-42x4.0-125-*	2.19 (1.00)	FFC64-125-*	CF-42x4.0-125-*	ORV-3815

*** Materials:**

Standard, No Designation = All Carbon Steel, Clear Zinc Plated (Cr6 Free).

SS = Stainless Steel, Type 316.

ZSS = Carbon Steel Flange with Stainless Steel Cone, Type 316.

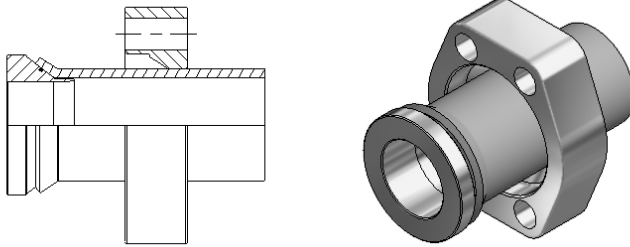
HDGSS = Carbon Steel, Hot Dip Galvanized Flange with Stainless Steel Cone, Type 316.

Ordering Example: FFCM64-CF-50x3.0-200-SS

* Insert Material

SAE 6000 PSI Flare Flange Set Flat Face with Clearance Holes, Metric

SAE J518 Code 62 (ISO 6162-2)



Complete Flange Set Includes:

- One (1) Flare Flange
- One (1) Flat Face Cone
- One (1) Back Up O-Ring (O-Ring 1)

To be Ordered Separately:

- Bolt Kit (See Page H1)

FFCM64-CF - Flare Flange Set with Clearance Holes, Metric

Size	Pipe Size	Complete Flange Set Part Number	WT/Set lbs (kgs)	Flange Part Number	Flat Face Cone Insert Part Number	O-Ring 1 (VITON) Part Number
1-1/4" (2)	30x3.0	FFCM64-CF-30x3.0-125-M14-*	2.12 (0.96)	FFCM64-125-M14-30MM-*	CF-30x3.0-125-*	ORV-2815
1-1/4" (2)	30x4.0	FFCM64-CF-30x4.0-125-M14-*	2.12 (0.96)	FFCM64-125-M14-30MM-*	CF-30x4.0-125-*	ORV-2815
1-1/4" (2)	30x5.0	FFCM64-CF-30x5.0-125-M14-*	2.12 (0.96)	FFCM64-125-M14-30MM-*	CF-30x5.0-125-*	ORV-2815
1-1/4" (2)	38x4.0	FFCM64-CF-38x4.0-125-M14-*	2.14 (0.97)	FFCM64-125-M14-38MM-*	CF-38x4.0-125-*	ORV-3515
1-1/4" (2)	38x5.0	FFCM64-CF-38x5.0-125-M14-*	2.14 (0.97)	FFCM64-125-M14-38MM-*	CF-38x5.0-125-*	ORV-3215
1-1/4" (2)	42x3.0	FFCM64-CF-42x3.0-125-M-14-*	2.19 (1.00)	FFCM64-125-M14-42MM-*	CF-42x3.0-125-*	ORV-3815
1-1/4" (2)	42x4.0	FFCM64-CF-42x4.0-125-M14-*	2.19 (1.00)	FFCM64-125-M14-42MM-*	CF-42x4.0-125-*	ORV-3815
1-1/2"	30x3.0	FFCM64-CF-30x3.0-150-*	3.70 (1.68)	FFCM64-150-30MM-*	CF-30x3.0-150-*	ORV-2815
1-1/2"	38x4.0	FFCM64-CF-38x4.0-150-*	3.74 (1.70)	FFCM64-150-38MM-*	CF-38x4.0-150-*	ORV-3215
1-1/2"	42x3.0	FFCM64-CF-42x3.0-150-*	3.74 (1.70)	FFCM64-150-42MM-*	CF-42x3.0-150-*	ORV-3215
1-1/2"	42x4.0	FFCM64-CF-42x4.0-150-*	3.74 (1.70)	FFCM64-150-42MM-*	CF-42x4.0-150-*	ORV-3815
1-1/2"	50x3.0	FFCM64-CF-50x3.0-150-*	3.76 (1.71)	FFCM64-150-50MM-*	CF-50x3.0-150-*	ORV-3815
1-1/2"	50x5.0	FFCM64-CF-50x5.0-150-*	3.76 (1.71)	FFCM64-150-50MM-*	CF-50x5.0-150-*	ORV-4515
1-1/2"	50x6.0	FFCM64-CF-50x6.0-150-*	3.76 (1.71)	FFCM64-150-50MM-*	CF-50x6.0-150-*	ORV-4515
1-1/2"	56x8.5	FFCM64-CF-56x8.5-150-*	3.76 (1.71)	FFCM64-150-56MM-*	CF-56x8.5-150-*	ORV-4315
2"	50x3.0	FFCM64-CF-50x3.0-200-*	5.46 (2.48)	FFCM64-200-50MM-*	CF-50x3.0-200-*	ORV-4515
2"	50x5.0	FFCM64-CF-50x5.0-200-*	5.46 (2.48)	FFCM64-200-50MM-*	CF-50x5.0-200-*	ORV-4515
2"	50x6.0	FFCM64-CF-50x6.0-200-*	5.46 (2.48)	FFCM64-200-50MM-*	CF-50x6.0-200-*	ORV-4515
2"	60x3.0	FFCM64-CF-60x3.0-200-*	5.48 (2.49)	FFC64-200-*	CF-60x3.0-200-*	ORV-5715
2"	60x5.0	FFCM64-CF-60x5.0-200-*	5.48 (2.49)	FFC64-200-*	CF-60x5.0-200-*	ORV-5615
2"	60x6.0	FFCM64-CF-60x6.0-200-*	5.48 (2.49)	FFC64-200-*	CF-60x6.0-200-*	ORV-5615
2"	60x8.0	FFCM64-CF-60x8.0-200-*	5.48 (2.49)	FFC64-200-*	CF-60x8.0-200-*	ORV-5015
2"	66x8.5	FFCM64-CF-66x8.5-200-*	5.48 (2.49)	FFCM64-200-66MM-*	CF-66x8.5-200-*	ORV-5615

*** Materials:**

Standard, No Designation = All Carbon Steel, Clear Zinc Plated (Cr6 Free).

SS = Stainless Steel, Type 316.

ZSS = Carbon Steel Flange with Stainless Steel Cone, Type 316.

HDGSS = Carbon Steel, Hot Dip Galvanized Flange with Stainless Steel Cone, Type 316.

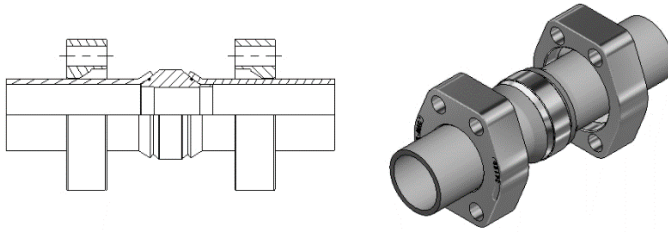
(2) Designates M14 Bolt - Special Order

Ordering Example: FFCM64-CF-50x3.0-200-SS

* Insert Material _____

SAE 6000 PSI Flare Flange Double Cone Union Set with Clearance Holes, NPS

SAE J518 Code 62 (ISO 6162-2)



Complete Flange Set Includes:

- Two (2) Flare Flanges
- One (1) Double Cone
- Two (2) Back Up O-Rings (O-Ring 1)

To be Ordered Separately:

- Bolt Kit (See Page H1)

FFC64-CD - Flare Flange Double Cone Union Set with Clearance Holes, NPS

Size	Pipe Size	Complete Flange Set Part Number	WT/Set lbs (kgs)	Flange Part Number	Double Cone Insert Part Number	O-Ring 1 (VITON) Part Number
1/2"	1/2" SCH40	FFC64-CD-SCH40-050-*	1.32 (0.60)	FFC64-050-*	CD-SCH40-050-*	ORV-1915
1/2"	1/2" SCH80	FFC64-CD-SCH80-050-*	1.30 (0.59)	FFC64-050-*	CD-SCH80-050-*	ORV-1715
3/4"	3/4" SCH40	FFC64-CD-SCH40-075-*	2.19 (1.00)	FFC64-075-*	CD-SCH40-075-*	ORV-2515
3/4"	3/4" SCH80	FFC64-CD-SCH80-075-*	2.19 (1.00)	FFC64-075-*	CD-SCH80-075-*	ORV-2315
1"	1" SCH40	FFC64-CD-SCH40-100-*	2.95 (1.34)	FFC64-100-*	CD-SCH40-100-*	ORV-3015
1"	1" SCH80	FFC64-CD-SCH80-100-*	2.96 (1.35)	FFC64-100-*	CD-SCH80-100-*	ORV-2815
1-1/4"	1-1/4" SCH40	FFC64-CD-SCH40-125-*	4.27 (1.94)	FFC64-125-*	CD-SCH40-125-*	ORV-3815
1-1/4"	1-1/4" SCH80	FFC64-CD-SCH80-125-*	4.26 (1.94)	FFC64-125-*	CD-SCH80-125-*	ORV-3815
1-1/2"	1-1/2" SCH40	FFC64-CD-SCH40-150-*	7.46 (3.39)	FFC64-150-*	CD-SCH40-150-*	ORV-4315
1-1/2"	1-1/2" SCH80	FFC64-CD-SCH80-150-*	7.48 (3.40)	FFC64-150-*	CD-SCH80-150-*	ORV-4315
1-1/2"	1-1/2" SCH160	FFC64-CD-SCH160-150-*	7.47 (3.40)	FFC64-150-*	CD-SCH160-150-*	ORV-3815
2"	2" SCH40	FFC64-CD-SCH40-200-*	10.94 (4.97)	FFC64-200-*	CD-SCH40-200-*	ORV-5615
2"	2" SCH80	FFC64-CD-SCH80-200-*	10.94 (4.97)	FFC64-200-*	CD-SCH80-200-*	ORV-5515
2"	2" SCH160	FFC64-CD-SCH160-200-*	11.31 (5.14)	FFC64-200-*	CD-SCH160-200-*	ORV-5015

*** Materials:**

Standard, No Designation = All Carbon Steel, Clear Zinc Plated (Cr6 Free).

SS = Stainless Steel, Type 316.

ZSS = Carbon Steel Flange with Stainless Steel Cone, Type 316.

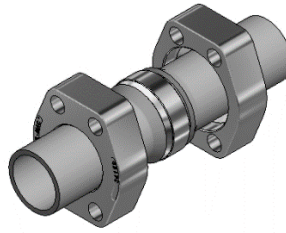
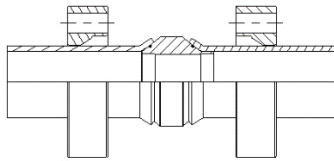
HDGSS = Carbon Steel, Hot Dip Galvanized Flange with Stainless Steel Cone, Type 316.

Ordering Example: FFC64-CD-SCH80-200-SS

* Insert Material _____

SAE 6000 PSI Flare Flange Double Cone Union Set with Clearance Holes, Metric

SAE J518 Code 62 (ISO 6162-2)



Complete Flange Set Includes:

- Two (2) Flare Flanges
- One (1) Double Cone
- Two (2) Back Up O-Rings (O-Ring 1)

To be Ordered Separately:

- Bolt Kit (See Page H1)

FFCM64-CD - Flare Flange Double Cone Union Set with Clearance Holes, Metric

Size	Pipe Size	Complete Flange Set Part Number	WT/Set lbs (kgs)	Flange Part Number	Double Cone Insert Part Number	O-Ring 1 (VITON) Part Number
1/2"	20x2.0	FFCM64-CD-20x2.0-050-*	1.33 (0.60)	FFCM64-050-20MM-*	CD-20x2.0-050-*	ORV-1715
1/2"	20x3.0	FFCM64-CD-20x3.0-050-*	1.33 (0.60)	FFCM64-050-20MM-*	CD-20x3.0-050-*	ORV-1715
1/2"	25x2.5	FFCM64-CD-25x2.5-050-*	1.33 (0.60)	FFCM64-050-25MM-*	CD-25x2.5-050-*	ORV-2315
1/2"	25x3.0	FFCM64-CD-25x3.0-050-*	1.33 (0.60)	FFCM64-050-25MM-*	CD-25x3.0-050-*	ORV-2315
3/4"	20x2.0	FFCM64-CD-20x2.0-075-*	2.15 (0.98)	FFCM64-075-20MM-*	CD-20x2.0-075-*	ORV-1715
3/4"	20x2.5	FFCM64-CD-20x2.5-075-*	2.15 (0.98)	FFCM64-075-20MM-*	CD-20x2.5-075-*	ORV-1715
3/4"	20x3.0	FFCM64-CD-20x3.0-075-*	2.15 (0.98)	FFCM64-075-20MM-*	CD-20x3.0-075-*	ORV-1715
3/4"	25x2.5	FFCM64-CD-25x2.5-075-*	2.15 (0.98)	FFCM64-075-25MM-*	CD-25x2.5-075-*	ORV-2315
3/4"	25x3.0	FFCM64-CD-25x3.0-075-*	2.15 (0.98)	FFCM64-075-25MM-*	CD-25x3.0-075-*	ORV-2315
3/4"	25x4.0	FFCM64-CD-25x4.0-075-*	2.15 (0.98)	FFCM64-075-25MM-*	CD-25x4.0-075-*	ORV-2315
3/4"	30x3.0	FFCM64-CD-30x3.0-075-*	2.19 (1.00)	FFCM64-075-30MM-*	CD-30x3.0-075-*	ORV-2515
1"	25x2.5	FFCM64-CD-25x2.5-100-*	2.89 (1.31)	FFCM64-100-25MM-*	CD-25x2.5-100-*	ORV-2315
1"	25x3.0	FFCM64-CD-25x3.0-100-*	2.89 (1.31)	FFCM64-100-25MM-*	CD-25x3.0-100-*	ORV-2315
1"	25x4.0	FFCM64-CD-25x4.0-100-*	2.89 (1.31)	FFCM64-100-25MM-*	CD-25x4.0-100-*	ORV-2315
1"	30x3.0	FFCM64-CD-30x3.0-100-*	2.93 (1.33)	FFCM64-100-30MM-*	CD-30x3.0-100-*	ORV-2815
1"	30x4.0	FFCM64-CD-30x4.0-100-*	2.93 (1.33)	FFCM64-100-30MM-*	CD-30x4.0-100-*	ORV-2815
1"	30x5.0	FFCM64-CD-30x5.0-100-*	2.93 (1.33)	FFCM64-100-30MM-*	CD-30x5.0-100-*	ORV-2815
1"	38x4.0	FFCM64-CD-38x4.0-100-*	2.97 (1.35)	FFCM64-100-38MM-*	CD-38x4.0-100-*	ORV-3515
1"	38x5.0	FFCM64-CD-38x5.0-100-*	2.97 (1.35)	FFCM64-100-38MM-*	CD-38x5.0-100-*	ORV-3215
1-1/4"	30x3.0	FFCM64-CD-30x3.0-125-*	4.21 (1.91)	FFCM64-125-30MM-*	CD-30x3.0-125-*	ORV-2815
1-1/4"	30x4.0	FFCM64-CD-30x4.0-125-*	4.21 (1.91)	FFCM64-125-30MM-*	CD-30x4.0-125-*	ORV-2815
1-1/4"	30x5.0	FFCM64-CD-30x5.0-125-*	4.21 (1.91)	FFCM64-125-30MM-*	CD-30x5.0-125-*	ORV-2815
1-1/4"	38x4.0	FFCM64-CD-38x4.0-125-*	4.25 (1.93)	FFCM64-125-38MM-*	CD-38x4.0-125-*	ORV-3515
1-1/4"	38x5.0	FFCM64-CD-38x5.0-125-*	4.25 (1.93)	FFCM64-125-38MM-*	CD-38x5.0-125-*	ORV-3215
1-1/4"	42x3.0	FFCM64-CD-42x3.0-125-*	4.34 (1.97)	FFC64-125-*	CD-42x3.0-125-*	ORV-3815
1-1/4"	42x4.0	FFCM64-CD-42x4.0-125-*	4.34 (1.97)	FFC64-125-*	CD-42x4.0-125-*	ORV-3815

*** Materials:**

Standard, No Designation = All Carbon Steel, Clear Zinc Plated (Cr6 Free).

SS = Stainless Steel, Type 316.

ZSS = Carbon Steel Flange with Stainless Steel Cone, Type 316.

HDGSS = Carbon Steel, Hot Dip Galvanized Flange with Stainless Steel Cone, Type 316.

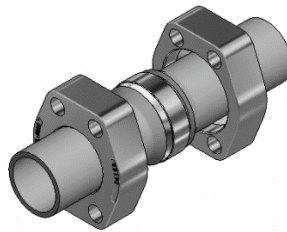
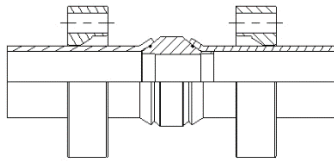
Ordering Example: FFCM64-CD-50x3.0-200-SS

* Insert Material

3D step models available upon request

SAE 6000 PSI Flare Flange Double Cone Union Set with Clearance Holes, Metric

SAE J518 Code 62 (ISO 6162-2)



Complete Flange Set Includes:

- Two (2) Flare Flanges
- One (1) Double Cone
- Two (2) Back Up O-Rings (O-Ring 1)

To be Ordered Separately:

- Bolt Kit (See Page H1)

FFCM64-CD - Flare Flange Double Cone Union Set with Clearance Holes, Metric

Size	Pipe Size	Complete Flange Set Part Number	WT/Set lbs (kgs)	Flange Part Number	Double Cone Insert Part Number	O-Ring 1 (VITON) Part Number
1-1/4" ⁽²⁾	30x3.0	FFCM64-CD-30x3.0-125-M14-*	4.21 (1.91)	FFCM64-125-M14-30MM-*	CD-30x3.0-125-*	ORV-2815
1-1/4" ⁽²⁾	30x4.0	FFCM64-CD-30x4.0-125-M14-*	4.21 (1.91)	FFCM64-125-M14-30MM-*	CD-30x4.0-125-*	ORV-2815
1-1/4" ⁽²⁾	30x5.0	FFCM64-CD-30x5.0-125-M14-*	4.21 (1.91)	FFCM64-125-M14-30MM-*	CD-30x5.0-125-*	ORV-2815
1-1/4" ⁽²⁾	38x4.0	FFCM64-CD-38x4.0-125-M14-*	4.25 (1.93)	FFCM64-125-M14-38MM-*	CD-38x4.0-125-*	ORV-3515
1-1/4" ⁽²⁾	38x5.0	FFCM64-CD-38x5.0-125-M14-*	4.25 (1.93)	FFCM64-125-M14-38MM-*	CD-38x5.0-125-*	ORV-3215
1-1/4" ⁽²⁾	42x3.0	FFCM64-CD-42x3.0-125-M14-*	4.34 (1.97)	FFCM64-125-M14-42MM-*	CD-42x3.0-125-*	ORV-3815
1-1/4" ⁽²⁾	42x4.0	FFCM64-CD-42x4.0-125-M14-*	4.34 (1.97)	FFCM64-125-M14-42MM-*	CD-42x4.0-125-*	ORV-3815
1-1/2"	30x3.0	FFCM64-CD-30x3.0-150-*	7.36 (3.35)	FFCM64-150-30MM-*	CD-30x3.0-150-*	ORV-2815
1-1/2"	38x4.0	FFCM64-CD-38x4.0-150-*	7.42 (3.37)	FFCM64-150-38MM-*	CD-38x4.0-150-*	ORV-3215
1-1/2"	42x3.0	FFCM64-CD-42x3.0-150-*	7.42 (3.37)	FFCM64-150-42MM-*	CD-42x3.0-150-*	ORV-3815
1-1/2"	42x4.0	FFCM64-CD-42x4.0-150-*	7.42 (3.37)	FFCM64-150-42MM-*	CD-42x4.0-150-*	ORV-3815
1-1/2"	50x3.0	FFCM64-CD-50x3.0-150-*	7.45 (3.39)	FFCM64-150-50MM-*	CD-50x3.0-150-*	ORV-4715
1-1/2"	50x5.0	FFCM64-CD-50x5.0-150-*	7.45 (3.39)	FFCM64-150-50MM-*	CD-50x5.0-150-*	ORV-4515
1-1/2"	50x6.0	FFCM64-CD-50x6.0-150-*	7.45 (3.39)	FFCM64-150-50MM-*	CD-50x6.0-150-*	ORV-4515
1-1/2"	56x8.5	FFCM64-CD-56x8.5-150-*	7.45 (3.39)	FFCM64-150-56MM-*	CD-56x8.5-150-*	ORV-4315
2"	50x3.0	FFCM64-CD-50x3.0-200-*	10.85 (4.93)	FFCM64-200-50MM-*	CD-50x3.0-200-*	ORV-4515
2"	50x5.0	FFCM64-CD-50x5.0-200-*	10.85 (4.93)	FFCM64-200-50MM-*	CD-50x5.0-200-*	ORV-4515
2"	50x6.0	FFCM64-CD-50x6.0-200-*	10.85 (4.93)	FFCM64-200-50MM-*	CD-50x6.0-200-*	ORV-4515
2"	60x3.0	FFCM64-CD-60x3.0-200-*	10.89 (4.95)	FFC64-200-*	CD-60x3.0-200-*	ORV-5715
2"	60x5.0	FFCM64-CD-60x5.0-200-*	10.89 (4.95)	FFC64-200-*	CD-60x5.0-200-*	ORV-5615
2"	60x6.0	FFCM64-CD-60x6.0-200-*	10.89 (4.95)	FFC64-200-*	CD-60x6.0-200-*	ORV-5615
2"	60x8.0	FFCM64-CD-60x8.0-200-*	10.89 (4.95)	FFC64-200-*	CD-60x8.0-200-*	ORV-5015
2"	66x8.5	FFCM64-CD-66x8.5-200-*	1089 (4.95)	FFCM64-200-66MM-*	CD-66x8.5-200-*	ORV-5615

*** Materials:**

Standard, No Designation = All Carbon Steel, Clear Zinc Plated (Cr6 Free).

SS = Stainless Steel, Type 316.

ZSS = Carbon Steel Flange with Stainless Steel Cone, Type 316.

HDGSS = Carbon Steel, Hot Dip Galvanized Flange with Stainless Steel Cone, Type 316.

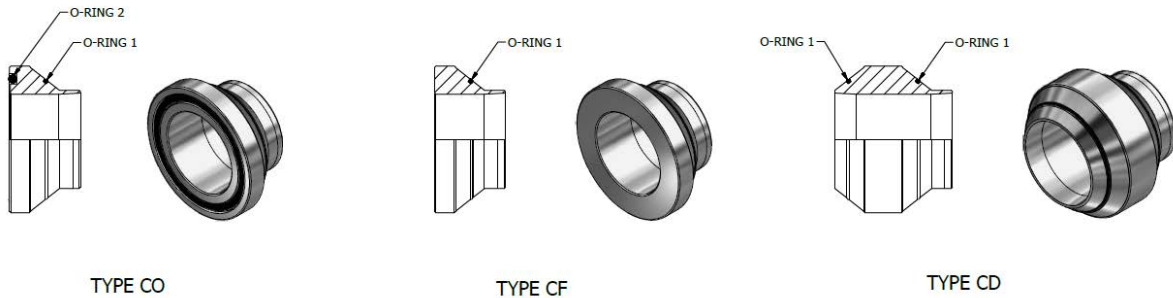
(2) Designates M14 Bolt - Special Order

Ordering Example: FFCM64-CD-50x3.0-200-SS

* Insert Material _____

SAE 6000 PSI Cone Inserts for Flare Flange Connections, NPS

SAE J518 Code 62 (ISO 6162-2)



CO, CF and CD - Cone Inserts for Flare Flange Connections, NPS									
Size	Pipe Size	O-Ring Face Cone Insert Part Number (Type CO)	WT lbs (kgs)	Flat Face Cone Insert Part Number (Type CF)	WT lbs (kgs)	Double Cone Insert Part Number (Type CD)	WT lbs (kgs)	O-Ring 1 (VITON) Part Number	O-Ring 2 (Buna) Part Number
1/2"	1/2" SCH40	CO-SCH40-050-*^	0.10 (0.50)	CF-SCH40-050-*	0.11 (0.05)	CD-SCH40-050-*	0.20 (0.09)	ORV-1915	OR^-2-210
1/2"	1/2" SCH80	CO-SCH80-050-*^	0.09 (0.04)	CF-SCH80-050-*	0.10 (0.05)	CD-SCH80-050-*	0.18 (0.08)	ORV-1715	OR^-2-210
3/4"	3/4" SCH40	CO-SCH40-075-*^	0.12 (0.05)	CF-SCH40-075-*	0.14 (0.06)	CD-SCH40-075-*	0.25 (0.11)	ORV-2515	OR^-2-214
3/4"	3/4" SCH80	CO-SCH80-075-*^	0.12 (0.05)	CF-SCH80-075-*	0.14 (0.06)	CD-SCH80-075-*	0.25 (0.11)	ORV-2315	OR^-2-214
1"	1" SCH40	CO-SCH40-100-*^	0.20 (0.09)	CF-SCH40-100-*	0.23 (0.10)	CD-SCH40-100-*	0.41 (0.19)	ORV-3015	OR^-2-219
1"	1" SCH80	CO-SCH80-100-*^	0.21 (0.10)	CF-SCH80-100-*	0.23 (0.10)	CD-SCH80-100-*	0.42 (0.19)	ORV-2815	OR^-2-219
1-1/4"	1-1/4" SCH40	CO-SCH40-125-*^	0.25 (0.11)	CF-SCH40-125-*	0.27 (0.12)	CD-SCH40-125-*	0.49 (0.22)	ORV-3815	OR^-2-222
1-1/4"	1-1/4" SCH80	CO-SCH80-125-*^	0.24 (0.11)	CF-SCH80-125-*	0.27 (0.12)	CD-SCH80-125-*	0.48 (0.22)	ORV-3815	OR^-2-222
1-1/2"	1-1/2" SCH40	CO-SCH40-150-*^	0.41 (0.19)	CF-SCH40-150-*	0.45 (0.20)	CD-SCH40-150-*	0.82 (0.37)	ORV-4315	OR^-2-225
1-1/2"	1-1/2" SCH80	CO-SCH80-150-*^	0.42 (0.19)	CF-SCH80-150-*	0.46 (0.21)	CD-SCH80-150-*	0.84 (0.38)	ORV-4315	OR^-2-225
1-1/2"	1-1/2" SCH160	CO-SCH160-150-*^	0.42 (0.19)	CF-SCH160-150-*	0.45 (0.20)	CD-SCH160-150-*	0.83 (0.37)	ORV-3815	OR^-2-225
2"	2" SCH40	CO-SCH40-200-*^	0.47 (0.21)	CF-SCH40-200-*	0.52 (0.24)	CD-SCH40-200-*	0.94 (0.43)	ORV-5615	OR^-2-228
2"	2" SCH80	CO-SCH80-200-*^	0.49 (0.22)	CF-SCH80-200-*	0.53 (0.24)	CD-SCH80-200-*	0.97 (0.44)	ORV-5515	OR^-2-228
2"	2" SCH160	CO-SCH160-200-*^	0.67 (0.30)	CF-SCH160-200-*	0.71 (0.32)	CD-SCH160-200-*	1.31 (0.59)	ORV-5015	OR^-2-228

*** Materials:**

Standard, No Designation = All Carbon Steel, Clear Zinc Plated (Cr6 Free).
 SS = Stainless Steel, Type 316.

^ O-Ring 2 Type:

Standard, No Designation = Buna Nitrile.
 V = Viton.

Ordering Example: CO-SCH80-200-SS-V

* Insert Material

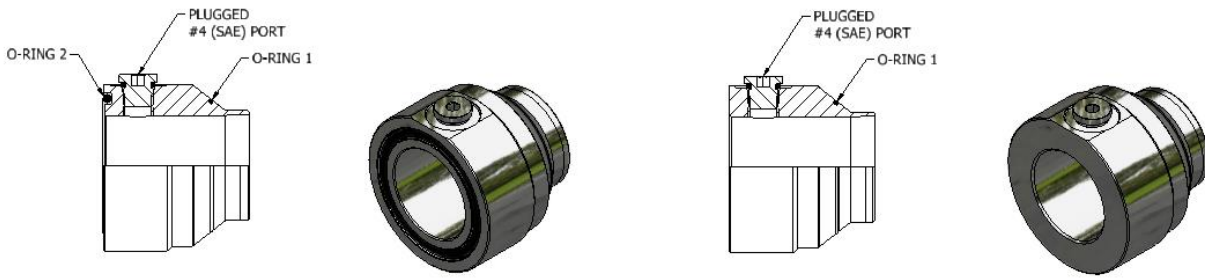
^ Insert O-Ring 2 Type

3D step models available upon request

- Introduction
- Technical Data
- Pipe Selection Guide
- 16 bar, 90° Flare
- ANSI 150#, 300# Flare
- SAE 1000, 70 bar
- SAE 3000, 210 bar
- SAE 6000, 420 bar
- SAE 10000,
- ISO 6164, 400 bar
- Clamps
- Valves, Ball and Check
- Machines

SAE 6000 PSI Cone Inserts with Pilot Port for Flare Flange Connections, NPS

SAE J518 Code 61 (ISO 6162-2)



COP and CFP - Cone Inserts with Pilot Port for Flare Flange Connections, NPS

Size	Pipe Size	O-Ring Face Cone Insert Part Number (Type COP)	WT lbs (kgs)	Flat Face Cone Insert Part Number (Type CFP)	WT lbs (kgs)	O-Ring 1 (VITON) Part Number	O-Ring 2 (Buna) Part Number
1/2"	1/2" SCH40	COP-SCH40-050-*^	0.40 (0.18)	CFP-SCH40-050-*	0.40 (0.18)	ORV-1915	OR^-2-210
1/2"	1/2" SCH80	COP-SCH80-050-*^	0.40 (0.18)	CFP-SCH80-050-*	0.40 (0.18)	ORV-1715	OR^-2-210
3/4"	3/4" SCH40	COP-SCH40-075-*^	0.62(0.28)	CFP-SCH40-075-*	0.62(0.28)	ORV-2515	OR^-2-214
3/4"	3/4" SCH80	COP-SCH80-075-*^	0.62 (0.28)	CFP-SCH80-075-*	0.62 (0.28)	ORV-2315	OR^-2-214
1"	1" SCH40	COP-SCH40-100-*^	0.77 (0.35)	CFP-SCH40-100-*	0.77 (0.35)	ORV-3015	OR^-2-219
1"	1" SCH80	COP-SCH80-100-*^	0.77 (0.35)	CFP-SCH80-100-*	0.77 (0.35)	ORV-2815	OR^-2-219
1-1/4"	1-1/4" SCH40	COP-SCH40-125-*^	0.93 (0.42)	CFP-SCH40-125-*	0.93 (0.42)	ORV-3815	OR^-2-222
1-1/4"	1-1/4" SCH80	COP-SCH80-125-*^	0.93 (0.42)	CFP-SCH80-125-*	0.93 (0.42)	ORV-3815	OR^-2-222
1-1/2"	1-1/2" SCH40	COP-SCH40-150-*^	1.31 (0.59)	CFP-SCH40-150-*	1.31 (0.59)	ORV-4315	OR^-2-225
1-1/2"	1-1/2" SCH80	COP-SCH80-150-*^	1.31 (0.59)	CFP-SCH80-150-*	1.31 (0.59)	ORV-4315	OR^-2-225
1-1/2"	1-1/2" SCH160	COP-SCH160-150-*^	1.20 (0.54)	CFP-SCH160-150-*	1.20 (0.54)	ORV-3815	OR^-2-225
2"	2" SCH40	COP-SCH40-200-*^	1.70 (0.77)	CFP-SCH40-200-*	1.70 (0.77)	ORV-5615	OR^-2-228
2"	2" SCH80	COP-SCH80-200-*^	1.70 (0.77)	CFP-SCH80-200-*	1.70 (0.77)	ORV-5515	OR^-2-228
2"	2" SCH160	COP-SCH160-200-*^	1.64 (0.74)	CFP-SCH160-200-*	1.64 (0.74)	ORV-5015	OR^-2-228

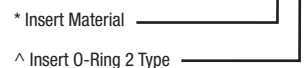
*** Materials:**

Standard, No Designation = All Carbon Steel, Clear Zinc Plated (Cr6 Free).
 SS = Stainless Steel, Type 316.

^ O-Ring 2 Type:

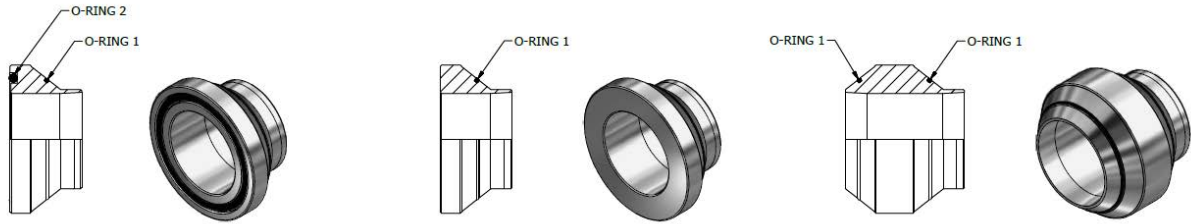
Standard, No Designation = Buna Nitrile.
 V = Viton.

Ordering Example: COP-SCH80-200-SS-V



SAE 6000 PSI Cone Inserts for Flare Flange Connections, Metric

SAE J518 Code 62 (ISO 6162-2)



TYPE CO

TYPE CF

TYPE CD

CO, CF and CD - Cone Inserts for Flare Flange Connections, Metric

Size	Pipe Size	O-Ring Face Cone Insert Part Number (Type CO)	WT lbs (kgs)	Flat Face Cone Insert Part Number (Type CF)	WT lbs (kgs)	Double Cone Insert Part Number (Type CD)	WT lbs (kg)	O-Ring 1 (VITON) Part Number	O-Ring 2 (Buna) Part Number
1/2"	20x2.0	CO-20x2.0-050-*^	0.11 (0.05)	CF-20x2.0-050-*	0.11 (0.05)	CD-20x2.0-050-*	0.21 (0.10)	ORV-1715	OR^2-210
1/2"	20x3.0	CO-20x3.0-050-*^	0.11 (0.05)	CF-20x3.0-050-*	0.11 (0.05)	CD-20x3.0-050-*	0.21 (0.10)	ORV-1715	OR^2-210
1/2"	25x2.5	CO-25x2.5-050-*^	0.11 (0.05)	CF-25x2.5-050-*	0.11 (0.05)	CD-25x2.5-050-*	0.21 (0.10)	ORV-2315	OR^2-210
1/2"	25x3.0	CO-25x3.0-050-*^	0.11 (0.05)	CF-25x3.0-050-*	0.11 (0.05)	CD-25x3.0-050-*	0.21 (0.10)	ORV-2315	OR^2-210
3/4"	20x2.0	CO-20x2.0-075-*^	0.11 (0.05)	CF-20x2.0-075-*	0.11 (0.05)	CD-20x2.0-075-*	0.21 (0.10)	ORV-1715	OR^2-214
3/4"	20x2.5	CO-20x2.5-075-*^	0.11 (0.05)	CF-20x2.5-075-*	0.11 (0.05)	CD-20x2.5-075-*	0.21 (0.10)	ORV-1715	OR^2-214
3/4"	20x3.0	CO-20x3.0-075-*^	0.11 (0.05)	CF-20x3.0-075-*	0.11 (0.05)	CD-20x3.0-075-*	0.21 (0.10)	ORV-1715	OR^2-214
3/4"	25x2.5	CO-25x2.5-075-*^	0.11 (0.05)	CF-25x2.5-075-*	0.11 (0.05)	CD-25x2.5-075-*	0.21 (0.10)	ORV-2315	OR^2-214
3/4"	25x3.0	CO-25x3.0-075-*^	0.11 (0.05)	CF-25x3.0-075-*	0.11 (0.05)	CD-25x3.0-075-*	0.21 (0.10)	ORV-2315	OR^2-214
3/4"	25x4.0	CO-25x4.0-075-*^	0.11 (0.05)	CF-25x4.0-075-*	0.11 (0.05)	CD-25x4.0-075-*	0.21 (0.10)	ORV-2315	OR^2-214
3/4"	30x3.0	CO-30x3.0-075-*^	0.13 (0.06)	CF-30x3.0-075-*	0.14 (0.06)	CD-30x3.0-075-*	0.25 (0.11)	ORV-2315	OR^2-214
1"	25x2.5	CO-25x2.5-100-*^	0.18 (0.08)	CF-25x2.5-100-*	0.19 (0.08)	CD-25x2.5-100-*	0.35 (0.16)	ORV-2315	OR^2-219
1"	25x3.0	CO-25x3.0-100-*^	0.18 (0.08)	CF-25x3.0-100-*	0.19 (0.08)	CD-25x3.0-100-*	0.35 (0.16)	ORV-2315	OR^2-219
1"	25x4.0	CO-25x4.0-100-*^	0.18 (0.08)	CF-25x4.0-100-*	0.19 (0.08)	CD-25x4.0-100-*	0.35 (0.16)	ORV-2315	OR^2-219
1"	30x3.0	CO-30x3.0-100-*^	0.20 (0.09)	CF-30x3.0-100-*	0.21 (0.09)	CD-30x3.0-100-*	0.39 (0.18)	ORV-2815	OR^2-219
1"	30x4.0	CO-30x4.0-100-*^	0.20 (0.09)	CF-30x4.0-100-*	0.21 (0.09)	CD-30x4.0-100-*	0.39 (0.18)	ORV-2815	OR^2-219
1"	30x5.0	CO-30x5.0-100-*^	0.20 (0.09)	CF-30x5.0-100-*	0.21 (0.09)	CD-30x5.0-100-*	0.39 (0.18)	ORV-2815	OR^2-219
1"	38x4.0	CO-38x4.0-100-*^	0.22 (0.10)	CF-38x4.0-100-*	0.23 (0.10)	CD-38x4.0-100-*	0.43 (0.19)	ORV-3015	OR^2-219
1"	38x5.0	CO-38x5.0-100-*^	0.22 (0.10)	CF-38x5.0-100-*	0.23 (0.10)	CD-38x5.0-100-*	0.43 (0.19)	ORV-3215	OR^2-219

*** Materials:**

Standard, No Designation = All Carbon Steel, Clear Zinc Plated (Cr6 Free).

SS = Stainless Steel, Type 316.

^ O-Ring 2 Type:

Standard, No Designation = Buna Nitrile.

V = Viton.

Ordering Example: CO-50x3.0-200-SS-V

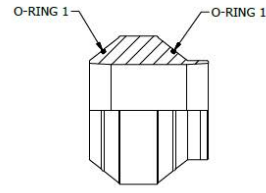
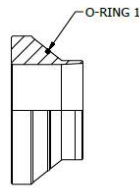
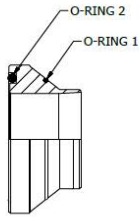
* Insert Material

^ Insert O-Ring 2 Type

3D step models available upon request

SAE 6000 PSI Cone Inserts for Flare Flange Connections, Metric

SAE J518 Code 62 (ISO 6162-2)



TYPE CO

TYPE CF

TYPE CD

CO, CF and CD - Cone Inserts for Flare Flange Connections, Metric

Size	Pipe Size	O-Ring Face Cone Insert Part Number (Type CO)	WT lbs (kgs)	Flat Face Cone Insert Part Number (Type CF)	WT lbs (kgs)	Double Cone Insert Part Number (Type CD)	WT lbs (kg)	O-Ring 1 (VITON) Part Number	O-Ring 2 (Buna) Part Number
1-1/4"	30x3.0	CO-30x3.0-125-*^	0.22 (0.10)	CF-30x3.0-125-*	0.23 (0.10)	CD-30x3.0-125-*	0.43 (0.19)	ORV-2815	OR^2-222
1-1/4"	30x4.0	CO-30x4.0-125-*^	0.22 (0.10)	CF-30x4.0-125-*	0.23 (0.10)	CD-30x4.0-125-*	0.43 (0.19)	ORV-2815	OR^2-222
1-1/4"	30x5.0	CO-30x5.0-125-*^	0.22 (0.10)	CF-30x5.0-125-*	0.23 (0.10)	CD-30x5.0-125-*	0.43 (0.19)	ORV-2815	OR^2-222
1-1/4"	38x4.0	CO-38x4.0-125-*^	0.24 (0.11)	CF-38x4.0-125-*	0.25 (0.11)	CD-38x4.0-125-*	0.47 (0.21)	ORV-3515	OR^2-222
1-1/4"	38x5.0	CO-38x5.0-125-*^	0.24 (0.11)	CF-38x5.0-125-*	0.25 (0.11)	CD-38x5.0-125-*	0.47 (0.21)	ORV-3215	OR^2-222
1-1/4"	42x3.0	CO-42x3.0-125-*^	0.29 (0.13)	CF-42x3.0-125-*	0.30 (0.14)	CD-42x3.0-125-*	0.56 (0.25)	ORV-3815	OR^2-222
1-1/4"	42x4.0	CO-42x4.0-125-*^	0.29 (0.13)	CF-42x4.0-125-*	0.30 (0.14)	CD-42x4.0-125-*	0.56 (0.25)	ORV-3815	OR^2-222
1-1/2"	30x3.0	CO-30x3.0-150-*^	0.37 (0.17)	CF-30x3.0-150-*	0.38 (0.17)	CD-30x3.0-150-*	0.72 (0.33)	ORV-2815	OR^2-225
1-1/2"	38x4.0	CO-38x4.0-150-*^	0.40 (0.18)	CF-38x4.0-150-*	0.42 (0.19)	CD-38x4.0-150-*	0.78 (0.35)	ORV-3215	OR^2-225
1-1/2"	38x5.0	CO-38x5.0-150-*^	0.40 (0.18)	CF-38x5.0-150-*	0.42 (0.19)	CD-38x5.0-150-*	0.78 (0.35)	ORV-3215	OR^2-225
1-1/2"	42x3.0	CO-42x3.0-150-*^	0.40 (0.18)	CF-42x3.0-150-*	0.42 (0.19)	CD-42x3.0-150-*	0.78 (0.35)	ORV-3815	OR^2-225
1-1/2"	42x4.0	CO-42x4.0-150-*^	0.40 (0.18)	CF-42x4.0-150-*	0.42 (0.19)	CD-42x4.0-150-*	0.78 (0.35)	ORV-3815	OR^2-225
1-1/2"	50x3.0	CO-50x3.0-150-*^	0.42 (0.19)	CF-50x3.0-150-*	0.44 (0.20)	CD-50x3.0-150-*	0.81 (0.37)	ORV-4715	OR^2-225
1-1/2"	50x5.0	CO-50x5.0-150-*^	0.42 (0.19)	CF-50x5.0-150-*	0.44 (0.20)	CD-50x5.0-150-*	0.81 (0.37)	ORV-4515	OR^2-225
1-1/2"	50X6.0	CO-50X6.0-150-*^	0.42 (0.19)	CF-50X6.0-150-*	0.44 (0.20)	CD-50X6.0-150-*	0.81 (0.37)	ORV-4515	OR^2-225
1-1/2"	56X8.5	CO-56X8.5-150-*^	0.42 (0.19)	CF-56X8.5-150-*	0.44 (0.20)	CD-56X8.5-150-*	0.81 (0.37)	ORV-4315	OR^2-225
2"	50x3.0	CO-50x3.0-200-*^	0.44 (0.20)	CF-50x3.0-200-*	0.46 (0.21)	CD-50x3.0-200-*	0.85 (0.39)	ORV-4515	OR^2-228
2"	50x5.0	CO-50x5.0-200-*^	0.44 (0.20)	CF-50x5.0-200-*	0.46 (0.21)	CD-50x5.0-200-*	0.85 (0.39)	ORV-4515	OR^2-228
2"	50x6.0	CO-50x6.0-200-*^	0.44 (0.20)	CF-50x6.0-200-*	0.46 (0.21)	CD-50x6.0-200-*	0.85 (0.39)	ORV-4515	OR^2-228
2"	60x3.0	CO-60x3.0-200-*^	0.46 (0.21)	CF-60x3.0-200-*	0.48 (0.22)	CD-60x3.0-200-*	0.89 (0.40)	ORV-5715	OR^2-228
2"	60x5.0	CO-60x5.0-200-*^	0.46 (0.21)	CF-60x5.0-200-*	0.48 (0.22)	CD-60x5.0-200-*	0.89 (0.40)	ORV-5615	OR^2-228
2"	60x6.0	CO-60x6.0-200-*^	0.46 (0.21)	CF-60x6.0-200-*	0.48 (0.22)	CD-60x6.0-200-*	0.89 (0.40)	ORV-5615	OR^2-228
2"	60X8.0	CO-60X8.0-200-*^	0.46 (0.21)	CF-60X8.0-200-*	0.48 (0.22)	CD-60X8.0-200-*	0.89 (0.40)	ORV-5015	OR^2-228
2"	66X8.5	CO-66X8.5-200-*^	0.46 (0.21)	CF-66X8.5-200-*	0.48 (0.22)	CD-66X8.5-200-*	0.89 (0.40)	ORV-5615	OR^2-228

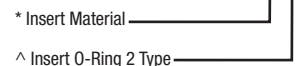
*** Materials:**

Standard, No Designation = All Carbon Steel, Clear Zinc Plated (Cr6 Free).
SS = Stainless Steel, Type 316.

^ O-Ring 2 Type:

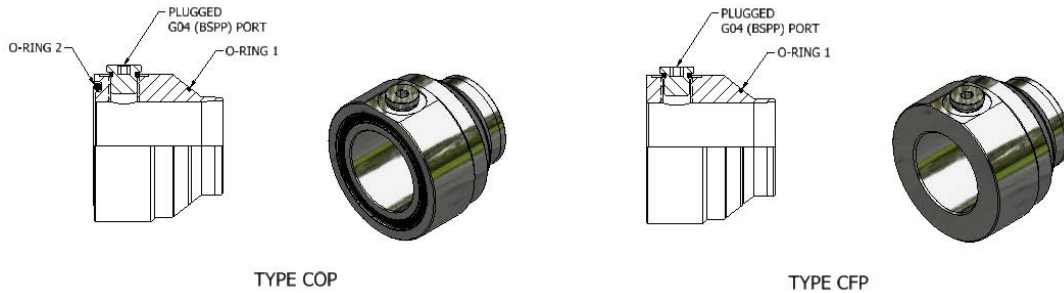
Standard, No Designation = Buna Nitrile.
V = Viton.

Ordering Example: CO-50x3.0-200-SS-V



SAE 6000 PSI Cone Inserts with Pilot Port for Flare Flange Connections, Metric

SAE J518 Code 62 (ISO 6162-2)



TYPE COP

TYPE CFP

COP and CFP - Cone Inserts with Pilot Port for Flare Flange Connections, Metric							
Size	Pipe Size	O-Ring Face Cone Insert Part Number (Type COP)	WT lbs (kgs)	Flat Face Cone Insert Part Number (Type CFP)	WT lbs (kgs)	O-Ring 1 (VITON) Part Number	O-Ring 2 (Buna) Part Number
1/2"	20x2.0	COP-20x2.0-050-*^-^	0.40 (0.18)	CFP-20x2.0-050-*	0.40 (0.18)	ORV-1715	OR^-2-210
1/2"	20x3.0	COP-20x3.0-050-*^-^	0.40 (0.18)	CFP-20x3.0-050-*	0.40 (0.18)	ORV-1715	OR^-2-210
1/2"	25x2.5	COP-25x2.5-050-*^-^	0.51 (0.23)	CFP-25x2.5-050-*	0.51 (0.23)	ORV-2315	OR^-2-210
1/2"	25x3.0	COP-25x3.0-050-*^-^	0.51 (0.23)	CFP-25x3.0-050-*	0.51 (0.23)	ORV-2315	OR^-2-210
3/4"	20x2.0	COP-20x2.0-075-*^-^	0.55 (0.25)	CFP-20x2.0-075-*	0.55 (0.25)	ORV-1715	OR^-2-214
3/4"	20x2.5	COP-20x2.5-075-*^-^	0.55 (0.25)	CFP-20x2.5-075-*	0.55 (0.25)	ORV-1715	OR^-2-214
3/4"	20x3.0	COP-20x3.0-075-*^-^	0.55 (0.25)	CFP-20x3.0-075-*	0.55 (0.25)	ORV-1715	OR^-2-214
3/4"	25x2.5	COP-25x2.5-075-*^-^	0.62 (0.28)	CFP-25x2.5-075-*	0.62 (0.28)	ORV-2315	OR^-2-214
3/4"	25x3.0	COP-25x3.0-075-*^-^	0.62 (0.28)	CFP-25x3.0-075-*	0.62 (0.28)	ORV-2315	OR^-2-214
3/4"	25x4.0	COP-25x4.0-075-*^-^	0.62 (0.28)	CFP-25x4.0-075-*	0.62 (0.28)	ORV-2315	OR^-2-214
3/4"	30x3.0	COP-30x3.0-075-*^-^	0.68 (0.31)	CFP-30x3.0-075-*	0.68 (0.31)	ORV-2515	OR^-2-214
1"	25x2.5	COP-25x2.5-100-*^-^	0.70 (0.32)	CFP-25x2.5-100-*	0.70 (0.32)	ORV-2315	OR^-2-219
1"	25x3.0	COP-25x3.0-100-*^-^	0.70 (0.32)	CFP-25x3.0-100-*	0.70 (0.32)	ORV-2815	OR^-2-219
1"	25x4.0	COP-25x4.0-100-*^-^	0.70 (0.32)	CFP-25x4.0-100-*	0.70 (0.32)	ORV-2315	OR^-2-219
1"	30x3.0	COP-30x3.0-100-*^-^	0.77 (0.35)	CFP-30x3.0-100-*	0.77 (0.35)	ORV-2815	OR^-2-219
1"	30x4.0	COP-30x4.0-100-*^-^	0.77 (0.35)	CFP-30x4.0-100-*	0.77 (0.35)	ORV-2815	OR^-2-219
1"	30x5.0	COP-30x5.0-100-*^-^	0.77 (0.35)	CFP-30x5.0-100-*	0.77 (0.35)	ORV-2815	OR^-2-219
1"	38x4.0	COP-38x4.0-100-*^-^	0.81 (0.37)	CFP-38x4.0-100-*	0.81 (0.37)	ORV-3515	OR^-2-219
1"	38x5.0	COP-38x5.0-100-*^-^	0.79 (0.36)	CFP-38x5.0-100-*	0.79 (0.36)	ORV-3215	OR^-2-219
1-1/4"	30x3.0	COP-30x3.0-125-*^-^	0.82 (0.37)	CFP-30x3.0-125-*	0.82 (0.37)	ORV-2815	OR^-2-222
1-1/4"	30x4.0	COP-30x4.0-125-*^-^	0.82 (0.37)	CFP-30x4.0-125-*	0.82 (0.37)	ORV-2815	OR^-2-222
1-1/4"	30x5.0	COP-30x5.0-125-*^-^	0.82 (0.37)	CFP-30x5.0-125-*	0.82 (0.37)	ORV-2815	OR^-2-222
1-1/4"	38x4.0	COP-38x4.0-125-*^-^	0.86 (0.39)	CFP-38x4.0-125-*	0.86 (0.39)	ORV-3515	OR^-2-222
1-1/4"	38x5.0	COP-38x5.0-125-*^-^	0.86 (0.39)	CFP-38x5.0-125-*	0.86 (0.39)	ORV-3215	OR^-2-222
1-1/4"	42x3.0	COP-42x3.0-125-*^-^	0.93 (0.42)	CFP-42x3.0-125-*	0.93 (0.42)	ORV-3815	OR^-2-222
-1/4"	42x4.0	COP-42x4.0-125-*^-^	0.93 (0.42)	CFP-42x4.0-125-*	0.93 (0.42)	ORV-3815	OR^-2-222

*** Materials:**

Standard, No Designation = All Carbon Steel, Clear Zinc Plated (Cr6 Free).
 SS = Stainless Steel, Type 316.

^ O-Ring 2 Type:

Standard, No Designation = Buna Nitrile.
 V = Viton.

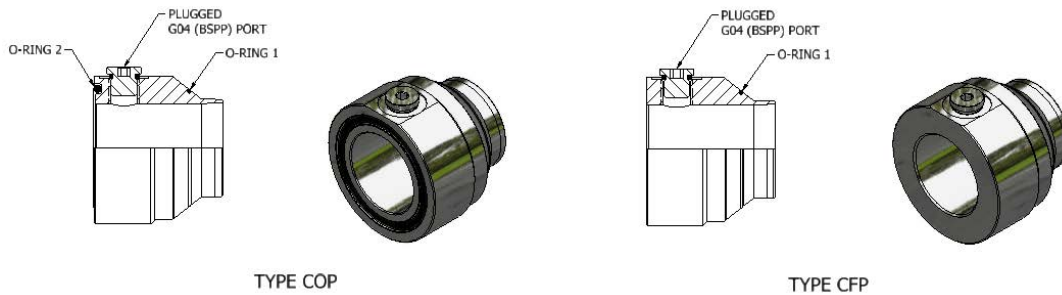
Ordering Example: COP-50x3.0-200-SS-V

* Insert Material _____
 ^ Insert O-Ring 2 Type _____

3D step models available upon request

SAE 6000 PSI Cone Inserts with Pilot Port for Flare Flange Connections, Metric

SAE J518 Code 62 (ISO 6162-2)



TYPE COP

TYPE CFP

COP and CFP - Cone Inserts with Pilot Port for Flare Flange Connections, Metric

Size	Pipe Size	O-Ring Face Cone Insert Part Number (Type COP)	WT lbs (kgs)	Flat Face Cone Insert Part Number (Type CFP)	WT lbs (kgs)	O-Ring 1 (VITON) Part Number	O-Ring 2 (Buna) Part Number
1-1/2"	30x3.0	COP-30x3.0-150-*^	1.02 (0.46)	CFP-30x3.0-150-*	1.02 (0.46)	ORV-2815	OR^ -2-225
1-1/2"	38x4.0	COP-38x4.0-150-*^	1.02 (0.46)	CFP-38x4.0-150-*	1.02 (0.46)	ORV-3215	OR^ -2-225
1-1/2"	42x3.0	COP-42x3.0-150-*^	1.21 (0.55)	CFP-42x3.0-150-*	1.21 (0.55)	ORV-3815	OR^ -2-225
1-1/2"	42x4.0	COP-42x4.0-150-*^	1.21 (0.55)	CFP-42x4.0-150-*	1.21 (0.55)	ORV-3815	OR^ -2-225
1-1/2"	50x3.0	COP-50x3.0-150-*^	1.31 (0.59)	CFP-50x3.0-150-*	1.31 (0.59)	ORV-4715	OR^ -2-225
1-1/2"	50x5.0	COP-50x5.0-150-*^	1.31 (0.59)	CFP-50x5.0-150-*	1.31 (0.59)	ORV-4515	OR^ -2-225
1-1/2"	50x6.0	COP-50x6.0-150-*^	1.28 (0.58)	CFP-50x6.0-150-*	1.28 (0.58)	ORV-4515	OR^ -2-225
1-1/2"	56x8.5	COP-56x8.5-150-*^	1.28 (0.58)	CFP-56x8.5-150-*	1.28 (0.58)	ORV-4315	OR^ -2-225
2"	50x3.0	COP-50x3.0-200-*^	1.58 (0.72)	CFP-50x3.0-200-*	1.58 (0.72)	ORV-4515	OR^ -2-228
2"	50x5.0	COP-50x5.0-200-*^	1.58 (0.72)	CFP-50x5.0-200-*	1.58 (0.72)	ORV-4515	OR^ -2-228
2"	50x6.0	COP-50x6.0-200-*^	1.55 (0.70)	CFP-50x6.0-200-*	1.55 (0.70)	ORV-4515	OR^ -2-228
2"	60x3.0	COP-60x3.0-200-*^	1.70 (0.77)	CFP-60x3.0-200-*	1.70 (0.77)	ORV-5715	OR^ -2-228
2"	60x5.0	COP-60x5.0-200-*^	1.70 (0.77)	CFP-60x5.0-200-*	1.70 (0.77)	ORV-5615	OR^ -2-228
2"	60x6.0	COP-60x6.0-200-*^	1.62 (0.73)	CFP-60x6.0-200-*	1.62 (0.73)	ORV-5615	OR^ -2-228
2"	60x8.0	COP-60x8.0-200-*^	1.62 (0.73)	CFP-60x8.0-200-*	1.62 (0.73)	ORV-5015	OR^ -2-228
2"	66x8.5	COP-66x8.5-200-*^	1.62 (0.73)	CFP-66x8.5-200-*	1.62 (0.73)	ORV-5615	OR^ -2-228

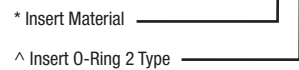
*** Materials:**

Standard, No Designation = All Carbon Steel, Clear Zinc Plated (Cr6 Free).
 SS = Stainless Steel, Type 316.

^ O-Ring 2 Type:

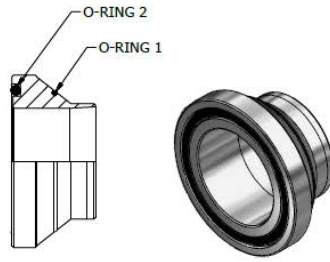
Standard, No Designation = Buna Nitrile.
 V = Viton.

Ordering Example: COP-50x3.0-200-SS-V



SAE 6000 PSI Cone Inserts Reducer for Flare Flange Connections with O-Ring Face, NPS

SAE J518 Code 62 (ISO 6162-2)



TYPE COR

COR - Cone Inserts Reducer for Flare Flange Connections with O Ring Face, NPS

Flange Size	Pipe Size	O-Ring Face Cone Insert Part Number (Type COR)	WT lbs (kg)	O-Ring 1 (VITON) Part Number	O-Ring 2 (Buna) Part Number
3/4"	1/2" SCH40	COR-SCH40-075x050-*^-^	0.15 (0.07)	ORV-1715	OR^-2-214
3/4"	1/2" SCH80	COR-SCH80-075x050-*^-^	0.16 (0.07)	ORV-1715	OR^-2-214
1"	3/4" SCH40	COR-SCH40-100x075-*^-^	0.25 (0.11)	ORV-2315	OR^-2-219
1"	3/4" SCH80	COR-SCH80-100x075-*^-^	0.27 (0.12)	ORV-2315	OR^-2-219
1-1/4"	1" SCH40	COR-SCH40-125x100-*^-^	0.34 (0.15)	ORV-2815	OR^-2-222
1-1/4"	1" SCH80	COR-SCH80-125x100-*^-^	0.37 (0.17)	ORV-2815	OR^-2-222
1-1/2"	1 1/4" SCH40	COR-SCH40-150x125-*^-^	0.51 (0.23)	ORV-3815	OR^-2-225
1-1/2"	1 1/4" SCH80	COR-SCH80-150x125-*^-^	0.56 (0.25)	ORV-3815	OR^-2-225
2"	1 1/2" SCH40	COR-SCH40-200x150-*^-^	0.59 (0.27)	ORV-4515	OR^-2-228
2"	1 1/2" SCH80	COR-SCH80-200x150-*^-^	0.66 (0.30)	ORV-4515	OR^-2-228

*** Materials:**

Standard, No Designation = All Carbon Steel, Clear Zinc Plated (Cr6 Free).

SS = Stainless Steel, Type 316.

^ O-Ring 2 Type:

Standard, No Designation = Buna Nitrile.

V = Viton.

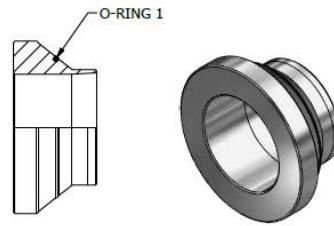
Ordering Example: COR-SCH80-100x075-SS-V

* Insert Material _____

^ Insert O-Ring 2 Type _____

SAE 6000 PSI Cone Inserts Reducer for Flare Flange Connections with Flat Face, NPS

SAE J518 Code 62 (ISO 6162-2)



TYPE CFR

CFR Cone Inserts Reducer for Flare Flange Connections with Flat Face, NPS

Flange Size	Pipe Size	Flat Face Cone Insert Part Number (Type CFR)	WT lbs (kg)	O-Ring 1 (VITON) Part Number
3/4"	1/2" SCH40	CFR-SCH40-075x050-*^-^	0.17 (0.08)	ORV-1915
3/4"	1/2" SCH80	CFR-SCH80-075x050-*^-^	0.18 (0.08)	ORV-1715
1"	3/4" SCH40	CFR-SCH40-100x075-*^-^	0.28 (0.13)	ORV-2515
1"	3/4" SCH80	CFR-SCH80-100x075-*^-^	0.30 (0.14)	ORV-2315
1-1/4"	1" SCH40	CFR-SCH40-125x100-*^-^	0.37 (0.17)	ORV-3015
1-1/4"	1" SCH80	CFR-SCH80-125x100-*^-^	0.40 (0.18)	ORV-2815
1-1/2"	1 1/4" SCH40	CFR-SCH40-150x125-*^-^	0.55 (0.25)	ORV-3815
1-1/2"	1 1/4" SCH80	CFR-SCH80-150x125-*^-^	0.60 (0.27)	ORV-3815
2"	1 1/2" SCH40	CFR-SCH40-200x150-*^-^	0.64 (0.29)	ORV-4315
2"	1 1/2" SCH80	CFR-SCH80-200x150-*^-^	0.71 (0.32)	ORV-4315

*** Materials:**

Standard, No Designation = All Carbon Steel, Clear Zinc Plated (Cr6 Free).
 SS = Stainless Steel, Type 316.

^ O-Ring 2 Type:

Standard, No Designation = Buna Nitrile.
 V = Viton.

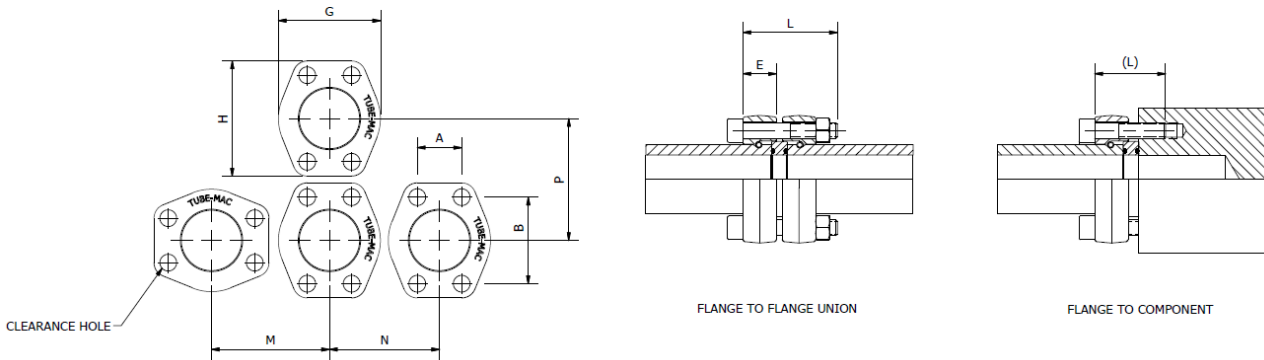
Ordering Example: COR-SCH80-100-SS-V

* Insert Material _____

^ Insert O-Ring 2 Type _____

SAE 6000 PSI Retain Ring Flange Dimensions

SAE J518 Code 62 (ISO 6162-2)



Retain Ring Flange Dimensions (Inches)

Size	Dimensions (in)								SHCS Bolt* L (L)	Working Pressure PSI (Bar)
	A	B	G	H	M	N	P	E		
1/2"	0.72	1.59	1.88	2.22	2.20	2.09	2.32	0.81	5/16"-18 UNC x 2.25 (1.50)	6000 (420)
3/4"	0.94	2.00	2.38	2.81	2.76	2.68	2.95	1.02	3/8"-16 UNC x 2.75 (1.75)	6000 (420)
1"	1.09	2.25	2.75	3.19	3.19	2.99	3.35	1.03	7/16"-14 UNC x 2.75 (1.75)	6000 (420)
1-1/4"	1.25	2.63	3.06	3.75	3.58	3.27	3.90	1.25	1/2"-13 UNC x 3.25 (2.00)	6000 (420)
1-1/2"	1.44	3.13	3.75	4.44	4.25	3.98	4.57	1.38	5/8"-11 UNC x 4.00 (2.50)	6000 (420)
2"	1.75	3.81	4.50	5.25	5.04	4.72	5.39	1.68	3/4"-10 UNC x 4.50 (2.75)	6000 (420)

* SHCS Bolt Specification

Carbon Steel: ASTM A574

316 Stainless Steel: ASTM A193 B8M Class 2

Retain Ring Flange Dimensions (Millimeters)

Size	Dimensions (mm)								SHCS Bolt* L (L)	Working Pressure PSI (Bar)
	A	B	G	H	M	N	P	E		
1/2"	18.3	40.4	47.8	56.4	55.9	53.1	58.9	20.6	M8 x 60 (40)	6000 (420)
3/4"	23.9	50.8	60.5	71.4	70.1	68.1	74.9	25.9	M10 x 70 (45)	6000 (420)
1"	27.7	57.2	69.9	81.0	81.0	75.9	85.1	26.2	M12 x 70 (45)	6000 (420)
1-1/4"	31.8	66.8	77.7	95.3	90.9	83.1	99.1	31.8	M12 x 80 (50)	6000 (420)
1-1/4" (2)	31.8	66.8	77.7	95.3	90.9	83.1	99.1	31.8	M14 x 80 (50)	6000 (420)
1-1/2"	36.6	79.5	95.3	112.8	108.0	101.1	116.1	35.1	M16 x 100 (65)	6000 (420)
2"	44.5	96.8	114.3	133.4	128.0	119.9	136.9	42.7	M20 x 120 (70)	6000 (420)

* SHCS Bolt Specification

Carbon Steel: DIN912 / ISO4762 Grade 8.8

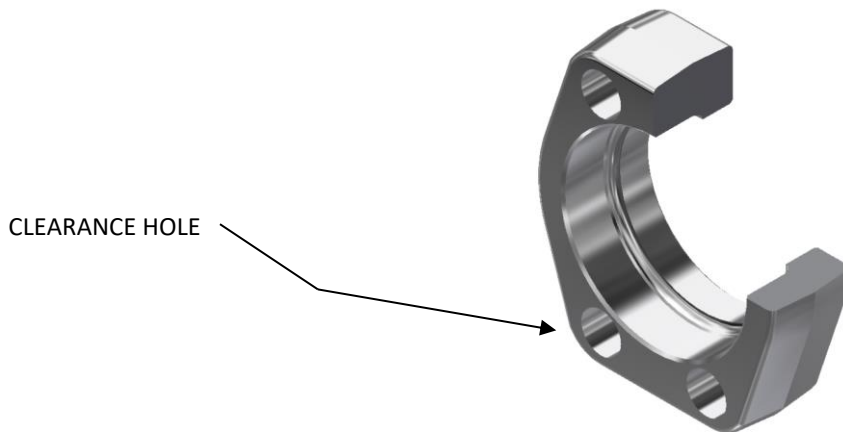
316 Stainless Steel: DIN912 / ISO4762 A480

(2) Designates M14 Bolt – Special Order

3D step models available upon request

SAE 6000 PSI Retain Ring Flange with Clearance Holes

SAE J518 Code 62 (ISO 6162-2)



RFAC64 – Retain Ring Flange with Clearance Holes, for Grooved NPS Pipe Only

Size	Pipe Size	Standard Part Number	Working Pressure PSI (Bar)	Weight lbs (kg)
1-1/2"	1 1/2" SCHXXS	RFAC64-150-*	6000 (420)	3.14 (1.43)
2"	2" SCH160/XXS	RFAC64-200-*	6000 (420)	4.82 (2.19)

RFC64 - Retain Ring Flange with Clearance Holes, Metric

Size	Pipe Size OD x Wall	Standard Part Number	Working Pressure PSI (Bar)	Weight lbs (kg)
1/2"	26X6.0	RFC64-050-*	6000 (420)	0.43 (0.20)
3/4"	36X8.0	RFC64-075-*	6000 (420)	0.83 (0.38)
1"	39X7.5	RFC64-100-*	6000 (420)	1.16 (0.51)
1-1/4"	46X8.0	RFC64-125-*	6000 (420)	1.86 (0.85)
1-1/4" ⁽²⁾	46X8.0	RFC64-125-M14-*	6000 (420)	1.86 (0.85)
1-1/2"	56X8.5	RFC64-150-*	6000 (420)	3.14 (1.43)
2"	66X8.5	RFC64-200-*	6000 (420)	4.82 (2.19)

*** Materials:**

Standard, No Designation = Carbon Steel, Clear Zinc Plated (Cr6 Free).

HDG = Carbon Steel, Hot Dip Galvanized.

SS = Stainless Steel, Type 316.

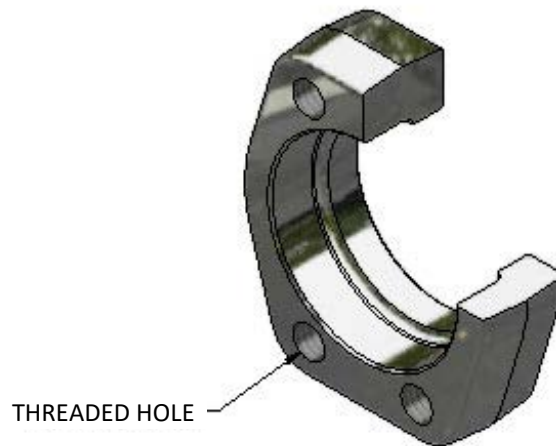
(2) Designates M14 Bolt – Special Order

Ordering Example: RFAC64-200-SS

* Insert Material _____

SAE 6000 PSI Retain Ring Flange with Threaded Holes

SAE J518 Code 62 (ISO 6162-2)



RFAT64 – Retain Ring Flange with UNC Threaded Holes, for Grooved NPS Pipe Only

Size	Pipe Size	Standard Part Number	Working Pressure PSI (Bar)	Weight lbs (kg)
1-1/2"	1 1/2" SCHXXS	RFAT64-150-*	6000 (420)	3.14 (1.43)
2"	2" SCH160/XXS	RFAT64-200-*	6000 (420)	4.82 (2.19)

RFT64 - Retain Ring Flange with UNC Threaded Holes, Metric Pipe

Size	Pipe Size	Standard Part Number	Working Pressure PSI (Bar)	Weight lbs (kg)
1/2"	26X6.0	RFT64-050-*	6000 (420)	0.43 (0.20)
3/4"	36X8.0	RFT64-075-*	6000 (420)	0.83 (0.38)
1"	39X7.5	RFT64-100-*	6000 (420)	1.16 (0.51)
1-1/4"	46X8.0	RFT64-125-*	6000 (420)	1.86 (0.85)
1-1/2"	56X8.5	RFT64-150-*	6000 (420)	3.14 (1.43)
2"	66X8.5	RFT64-200-*	6000 (420)	4.82 (2.19)

RFTM64 - Retain Ring Flange with Metric Threaded Holes, Metric Pipe

Size	Pipe Size OD x Wall	Standard Part Number	Working Pressure PSI (Bar)	Weight lbs (kg)
1/2"	26X6.0	RFTM64-050-*	6000 (420)	0.43 (0.20)
3/4"	36X8.0	RFTM64-075-*	6000 (420)	0.83 (0.38)
1"	39X7.5	RFTM64-100-*	6000 (420)	1.16 (0.51)
1-1/4"	46X8.0	RFTM64-125-*	6000 (420)	1.86 (0.85)
1-1/4" (2)	46X8.0	RFTM64-125-M14-*	6000 (420)	1.86 (0.85)
1-1/2"	56X8.5	RFTM64-150-*	6000 (420)	3.14 (1.43)
2"	66X8.5	RFTM64-200-*	6000 (420)	4.82 (2.19)

*** Materials:**

Standard, No Designation = Carbon Steel, Clear Zinc Plated (Cr6 Free).

HDG = Carbon Steel, Hot Dip Galvanized.

SS = Stainless Steel, Type 316.

(2) Designates M14 Bolt – Special Order

Ordering Example: RFAT64-200-SS

* Insert Material _____

3D step models available upon request

TUBE-MAC.com

Introduction

Technical Data

Pipe Selection Guide

16 bar, 90° Flare

ANSI 150#, 300# Flare

SAE 1000, 70 bar

SAE 3000, 210 bar

SAE 6000, 420 bar

SAE 10000,

ISO 6164, 400 bar

Clamps

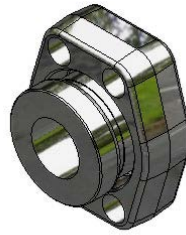
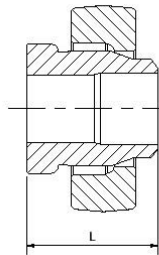
Valves, Ball and Check

Machines

H27

SAE 6000 PSI Butt Weld Adapter Assembly (Bump Style) with Clearance Holes, NPS

SAE J518 Code 62 (ISO 6162-2)



Complete Flange Set Includes:

- One (1) Retain Ring Flange
- One (1) Weld Adapter Body

To be Ordered Separately:

- Bolt Kit (See Page H25)
- O-Ring Spacer (See Page H75)

A/BWA - Butt Weld Adapter Assembly (Bump Style) with Clearance Holes, NPS

Size	Pipe Size	Complete Flange Set Part Number	WT/Set lbs (kg)	Dimension (in) L	Weld Adapter Body Part Number	Flange Part Number
1/2"	1/2" SCH80	A/BWA-SCH80-050-FC64-*	0.67 (0.30)	1.25	BWA-SCH80-050-*	RFC64-050-*
1/2"	1/2" SCH160	A/BWA-SCH160-050-FC64-*	0.68 (0.31)	1.25	BWA-SCH160-050-*	RFC64-050-*
1/2"	1/2" SCHXXS	A/BWA-SCHXXS-050-FC64-*	0.69 (0.31)	1.25	BWA-SCHXXS-050-*	RFC64-050-*
3/4"	3/4" SCH80	A/BWA-SCH80-075-FC64-*	1.29 (0.59)	1.75	BWA-SCH80-075-*	RFC64-075-*
3/4"	3/4" SCH160	A/BWA-SCH160-075-FC64-*	1.37 (0.62)	1.75	BWA-SCH160-075-*	RFC64-075-*
3/4"	3/4" SCHXXS	A/BWA-SCHXXS-075-FC64-*	1.40 (0.64)	1.75	BWA-SCHXXS-075-*	RFC64-075-*
1"	1" SCH80	A/BWA-SCH80-100-FC64-*	1.66 (0.75)	1.75	BWA-SCH80-100-*	RFC64-100-*
1"	1" SCH160	A/BWA-SCH160-100-FC64-*	1.77 (0.80)	1.75	BWA-SCH160-100-*	RFC64-100-*
1"	1" SCHXXS	A/BWA-SCHXXS-100-FC64-*	1.81 (0.82)	1.75	BWA-SCHXXS-100-*	RFC64-100-*
1-1/4"	1-1/4" SCH80	A/BWA-SCH80-125-FC64-*	2.69 (1.22)	2.00	BWA-SCH80-125-*	RFC64-125-*
1-1/4"	1-1/4" SCH160	A/BWA-SCH160-125-FC64-*	2.72 (1.24)	2.00	BWA-SCH160-125-*	RFC64-125-*
1-1/4"	1-1/4" SCHXXS	A/BWA-SCHXXS-125-FC64-*	2.83 (1.29)	2.00	BWA-SCHXXS-125-*	RFC64-125-*
1-1/2"	1-1/2" SCH80	A/BWA-SCH80-150-FC64-*	3.79 (1.72)	2.25	BWA-SCH80-150-*	RFC64-150-*
1-1/2"	1-1/2" SCH160	A/BWA-SCH160-150-FC64-*	4.43 (2.01)	2.25	BWA-SCH160-150-*	RFC64-150-*
1-1/2"	1-1/2" SCHXXS	A/BWA-SCHXXS-150-FC64-*	4.45 (2.02)	2.25	BWA-SCHXXS-150-*	RFC64-150-*
2"	2" SCH80	A/BWA-SCH80-200-FC64-*	6.50 (2.95)	2.50	BWA-SCH80-200-*	RFC64-200-*
2"	2" SCH160	A/BWA-SCH160-200-FC64-*	6.67 (3.03)	2.50	BWA-SCH160-200-*	RFC64-200-*
2"	2" SCHXXS	A/BWA-SCHXXS-200-FC64-*	6.71 (3.05)	2.50	BWA-SCHXXS-200-*	RFC64-200-*

*** Materials:**

Standard, No Designation = All Carbon Steel, Clear Zinc Plated (Cr6 Free).

SS = Stainless Steel, Type 316.

ZSS = Carbon Steel Flange with Stainless Steel Adapter Body, Type 316.

HDGSS = Carbon Steel, Hot Dip Galvanized Flange with Stainless Steel Adapter Body, Type 316.

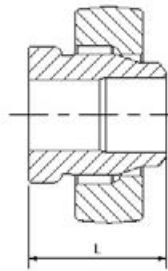
Note: To Order A Retain Ring Flange with Threaded Holes, Replace FC with FT in the Part Number.

Ordering Example: A/BWA-SCH80-200-FC64-SS

* Insert Material

SAE 6000 PSI Butt Weld Adapter Assembly (Bump Style) with Clearance Holes, Metric

SAE J518 Code 62 (ISO 6162-2)



Complete Flange Set Includes:

- One (1) Retain Ring Flange
- One (1) Weld Adapter Body

To be Ordered Separately:

- Bolt Kit (See Page H25)
- O-Ring Spacer (See Page H75)

A/BWA - Butt Weld Adapter Assembly (Bump Style) with Clearance Holes, Metric

Size	Pipe Size OD x Wall	Complete Flange Set Part Number	WT/Set lbs (kg)	Dimension (mm) L	Weld Adapter Body Part Number	Flange Part Number
1/2"	16.0x2.0	A/BWA-16.0X2.0-050-FC64-*	0.68 (0.31)	38.1	BWA-16.0X2.0-050-*	RFC64-050-*
1/2"	18.0x2.0	A/BWA-18.0X2.0-050-FC64-*	0.68 (0.31)	38.1	BWA-18.0X2.0-050-*	RFC64-050-*
1/2"	20.0x2.0	A/BWA-20.0X2.0-050-FC64-*	0.70 (0.35)	38.1	BWA-20.0X2.0-050-*	RFC64-050-*
1/2"	20.0x2.5	A/BWA-20.0X2.5-050-FC64-*	0.70 (0.35)	38.1	BWA-20.0X2.5-050-*	RFC64-050-*
1/2"	20.0x3.0	A/BWA-20.0X3.0-050-FC64-*	0.70 (0.35)	38.1	BWA-20.0X3.0-050-*	RFC64-050-*
1/2"	21.3x2.8	A/BWA-SCH40-050-FC64-*	0.66 (0.30)	31.8	BWA-SCH40-050-*	RFC64-050-*
1/2"	21.3X3.7	A/BWA-SCH80-050-FC64-*	0.67 (0.30)	31.8	BWA-SCH80-050-*	RFC64-050-*
1/2"	21.3x4.8	A/BWA-SCH160-050-FC64-*	0.68 (0.31)	31.8	BWA-SCH160-050-*	RFC64-050-*
1/2"	21.3X7.5	A/BWA-SCHXXS-050-FC64-*	0.69 (0.31)	31.8	BWA-SCHXXS-050-*	RFC64-050-*
1/2"	25.0X2.5	A/BWA-25.0X2.5-050-FC64-*	0.69 (0.31)	38.1	BWA-25.0X2.5-050-*	RFC64-050-*
1/2"	25.0X3.0	A/BWA-25.0X3.0-050-FC64-*	0.69 (0.31)	38.1	BWA-25.0X3.0-050-*	RFC64-050-*
1/2"	26.0X6.0	A/BWA-26.0X6.0-050-FC64-*	0.74 (0.34)	38.1	BWA-26.0X6.0-050-*	RFC64-050-*
3/4"	20.0X2.0	A/BWA-20.0X2.0-075-FC64-*	1.32 (0.60)	44.5	BWA-20.0X2.0-075-*	RFC64-075-*
3/4"	20.0X2.5	A/BWA-20.0X2.5-075-FC64-*	1.34 (0.61)	44.5	BWA-20.0X2.5-075-*	RFC64-075-*
3/4"	20.0X3.0	A/BWA-20.0X3.0-075-FC64-*	1.34 (0.61)	44.5	BWA-20.0X3.0-075-*	RFC64-075-*
3/4"	25.0X2.5	A/BWA-25.0X2.5-075-FC64-*	1.31 (0.60)	44.5	BWA-25.0X2.5-075-*	RFC64-075-*
3/4"	25.0X3.0	A/BWA-25.0X3.0-075-FC64-*	1.32 (0.60)	44.5	BWA-25.0X3.0-075-*	RFC64-075-*
3/4"	25.0X4.0	A/BWA-25.0X4.0-075-FC64-*	1.34 (0.61)	44.5	BWA-25.0X4.0-075-*	RFC64-075-*
3/4"	26.7X2.9	A/BWA-SCH40-075-FC64-*	1.27 (0.58)	44.5	BWA-SCH40-075-*	RFC64-075-*
3/4"	26.7X3.9	A/BWA-SCH80-075-FC64-*	1.29 (0.59)	44.5	BWA-SCH80-075-*	RFC64-075-*
3/4"	26.7X5.5	A/BWA-SCH160-075-FC64-*	1.37 (0.62)	44.5	BWA-SCH160-075-*	RFC64-075-*
3/4"	26.7X7.8	A/BWA-SCHXXS-075-FC64-*	2.02 (0.92)	44.5	BWA-SCHXXS-075-*	RFC64-075-*
3/4"	30.0X3.0	A/BWA-30.0X3.0-075-FC64-*	1.22 (0.55)	44.5	BWA-30.0X3.0-075-*	RFC64-075-*
3/4"	30.0X4.0	A/BWA-30.0X4.0-075-FC64-*	1.25 (0.57)	44.5	BWA-30.0X4.0-075-*	RFC64-075-*
3/4"	36.0X8.0	A/BWA-36.0X8.0-075-FC64-*	1.40 (0.64)	44.5	BWA-36.0X8.0-075-*	RFC64-075-*

*** Materials:**

Standard, No Designation = All Carbon Steel, Clear Zinc Plated (Cr6 Free).

SS = Stainless Steel, Type 316.

ZSS = Carbon Steel Flange with Stainless Steel Adapter Body, Type 316.

HDGSS = Carbon Steel, Hot Dip Galvanized Flange with Stainless Steel Adapter Body, Type 316.

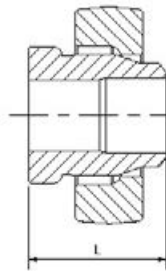
Note: To Order A Retain Ring Flange with Threaded Holes, Replace FC with FTM in the Part Number.

Ordering Example: A/BWA-50.0X3.0-200-FC64-SS

* Insert Material _____

SAE 6000 PSI Butt Weld Adapter Assembly (Bump Style) with Clearance Holes, Metric

SAE J518 Code 62 (ISO 6162-2)



Complete Flange Set Includes:

- One (1) Retain Ring Flange
- One (1) Weld Adapter Body

To be Ordered Separately:

- Bolt Kit (See Page H25)
- O-Ring Spacer (See Page H75)

A/BWA - Butt Weld Adapter Assembly (Bump Style) with Clearance Holes, Metric

Size	Pipe Size OD x Wall	Complete Flange Set Part Number	WT/Set lbs (kg)	Dimension (mm) L	Weld Adapter Body Part Number	Flange Part Number
1"	25.0X2.5	A/BWA-25.0X2.5-100-FC64-*	1.64 (0.75)	44.5	BWA-25.0X2.5-100-*	RFC64-100-*
1"	25.0x3.0	A/BWA-25.0X3.0-100-FC64-*	1.64 (0.75)	44.5	BWA-25.0X3.0-100-*	RFC64-100-*
1"	25.0X4.0	A/BWA-25.0X4.0-100-FC64-*	1.67 (0.76)	44.5	BWA-25.0X4.0-100-*	RFC64-100-*
1"	30.0X3.0	A/BWA-30.0X3.0-100-FC64-*	1.68 (0.76)	44.5	BWA-30.0X3.0-100-*	RFC64-100-*
1"	30.0X4.0	A/BWA-30.0X4.0-100-FC64-*	1.66 (0.75)	44.5	BWA-30.0X4.0-100-*	RFC64-100-*
1"	30.0X5.0	A/BWA-30.0X5.0-100-FC64-*	1.73 (0.79)	44.5	BWA-30.0X5.0-100-*	RFC64-100-*
1"	33.4X3.4	A/BWA-SCH40-100-FC64-*	1.66 (0.75)	44.5	BWA-SCH40-100-*	RFC64-100-*
1"	33.4X4.6	A/BWA-SCH80-100-FC64-*	1.66 (0.75)	44.5	BWA-SCH80-100-*	RFC64-100-*
1"	33.4X6.4	A/BWA-SCH160-100-FC64-*	1.77 (0.80)	44.5	BWA-SCH160-100-*	RFC64-100-*
1"	33.4X9.1	A/BWA-SCHXXS-100-FC64-*	1.81 (0.82)	44.5	BWA-SCHXXS-100-*	RFC64-100-*
1"	38.0X4.0	A/BWA-38.0X4.0-100-FC64-*	1.66 (0.75)	44.5	BWA-38.0X4.0-100-*	RFC64-100-*
1"	38.0X5.0	A/BWA-38.0X5.0-100-FC64-*	1.66 (0.75)	44.5	BWA-38.0X5.0-100-*	RFC64-100-*
1"	38.0X6.0	A/BWA-38.0X6.0-100-FC64-*	1.75 (0.80)	44.5	BWA-38.0X6.0-100-*	RFC64-100-*
1"	39.0X7.5	A/BWA-39.0X7.5-100-FC64-*	1.78 (0.81)	44.5	BWA-39.0X7.5-100-*	RFC64-100-*
1-1/4"	30.0X3.0	A/BWA-30.0X3.0-125-FC64-*	2.67 (1.21)	50.8	BWA-30.0X3.0-125-*	RFC64-125-*
1-1/4"	30.0X4.0	A/BWA-30.0X4.0-125-FC64-*	2.70 (1.23)	50.8	BWA-30.0X4.0-125-*	RFC64-125-*
1-1/4"	30.0X5.0	A/BWA-30.0X5.0-125-FC64-*	2.72 (1.24)	50.8	BWA-30.0X5.0-125-*	RFC64-125-*
1-1/4"	38.0X4.0	A/BWA-38.0X4.0-125-FC64-*	2.66 (1.21)	50.8	BWA-38.0X4.0-125-*	RFC64-125-*
1-1/4"	38.0X5.0	A/BWA-38.0X5.0-125-FC64-*	2.69 (1.22)	50.8	BWA-38.0X5.0-125-*	RFC64-125-*
1-1/4"	38.0X6.0	A/BWA-38.0X6.0-125-FC64-*	2.72 (1.24)	50.8	BWA-38.0X6.0-125-*	RFC64-125-*
1-1/4"	42.0X3.0	A/BWA-42.0X3.0-125-FC64-*	2.67 (1.21)	50.8	BWA-42.0X3.0-125-*	RFC64-125-*
1-1/4"	42.0X4.0	A/BWA-42.0X4.0-125-FC64-*	2.68 (1.22)	50.8	BWA-42.0X4.0-125-*	RFC64-125-*
1-1/4"	42.2X3.6	A/BWA-SCH40-125-FC64-*	2.68 (1.22)	50.8	BWA-SCH40-125-*	RFC64-125-*
1-1/4"	42.2X4.9	A/BWA-SCH80-125-FC64-*	2.68 (1.22)	50.8	BWA-SCH80-125-*	RFC64-125-*
1-1/4"	42.2X6.4	A/BWA-SCH160-125-FC64-*	2.68 (1.22)	50.8	BWA-SCH160-125-*	RFC64-125-*
1-1/4"	42.2X9.7	A/BWA-SCHXXS-125-FC64-*	2.83 (1.29)	50.8	BWA-SCHXXS-125-*	RFC64-125-*
1-1/4"	46.0X8.5	A/BWA-46.0X8.5-125-FC64-*	2.83 (1.29)	50.8	BWA-46.0X8.5-125-*	RFC64-125-*

IMPORTANT NOTE: For 1-1/4" SAE 6000 PSI (ISO 6162-2) Flanges with M14 bolt requirements please add -M14 to the end of the part numbers above

*** Materials:**

Standard, No Designation = All Carbon Steel, Clear Zinc Plated (Cr6 Free).

SS = Stainless Steel, Type 316.

ZSS = Carbon Steel Flange with Stainless Steel Adapter Body, Type 316.

HDGSS = Carbon Steel, Hot Dip Galvanized Flange with Stainless Steel Adapter Body, Type 316.

Note: To Order A Retain Ring Flange with Threaded Holes, Replace FC with FTM in the Part Number.

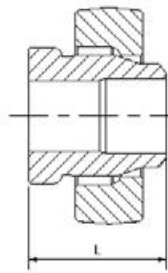
Ordering Example: A/BWA-50.0X3.0-200-FC64-SS

* Insert Material

3D step models available upon request

SAE 6000 PSI Butt Weld Adapter Assembly (Bump Style) with Clearance Holes, Metric

SAE J518 Code 62 (ISO 6162-2)



Complete Flange Set Includes:

- One (1) Retain Ring Flange
- One (1) Weld Adapter Body

To be Ordered Separately:

- Bolt Kit (See Page H25)
- O-Ring Spacer (See Page H75)

A/BWA - Butt Weld Adapter Assembly (Bump Style) with Clearance Holes, Metric

Size	Pipe Size OD x Wall	Complete Flange Set Part Number	WT/Set lbs (kg)	Dimension (mm) L	Weld Adapter Body Part Number	Flange Part Number
1-1/2"	38.0X4.0	A/BWA-38.0X4.0-150-FC64-*	4.13 (1.88)	57.2	BWA-38.0X4.0-150-*	RFC64-150-*
1-1/2"	38.0X5.0	A/BWA-38.0X5.0-150-FC64-*	4.08 (1.85)	57.2	BWA-38.0X5.0-150-*	RFC64-150-*
1-1/2"	38.0X6.0	A/BWA-38.0X6.0-150-FC64-*	4.21 (1.91)	57.2	BWA-38.0X6.0-150-*	RFC64-150-*
1-1/2"	42.0X3.0	A/BWA-42.0X3.0-150-FC64-*	4.03 (1.83)	57.2	BWA-42.0X3.0-150-*	RFC64-150-*
1-1/2"	42.0X4.0	A/BWA-42.0X4.0-150-FC64-*	4.08 (1.85)	57.2	BWA-42.0X4.0-150-*	RFC64-150-*
1-1/2"	48.3X3.7	A/BWA-SCH40-150-FC64-*	4.18 (1.90)	57.2	BWA-SCH40-150-*	RFC64-150-*
1-1/2"	48.3X5.1	A/BWA-SCH80-150-FC64-*	4.11 (1.87)	57.2	BWA-SCH80-150-*	RFC64-150-*
1-1/2"	48.3X7.1	A/BWA-SCH160-150-FC64-*	4.43 (2.01)	57.2	BWA-SCH160-150-*	RFC64-150-*
1-1/2"	48.3X10.2	A/BWA-SCHXXS-150-FC64-*	4.37 (1.99)	57.2	BWA-SCHXXS-150-*	RFC64-150-*
1-1/2"	50.0X3.0	A/BWA-50.0X3.0-150-FC64-*	4.05 (1.84)	57.2	BWA-50.0X3.0-150-*	RFC64-150-*
1-1/2"	50.0X5.0	A/BWA-50.0X5.0-150-FC64-*	3.98 (1.81)	57.2	BWA-50.0X5.0-150-*	RFC64-150-*
1-1/2"	56.0X8.5	A/BWA-56.0X8.5-150-FC64-*	4.41 (2.00)	57.2	BWA-56.0X8.5-150-*	RFC64-150-*
2"	50.0X3.0	A/BWA-50.0X3.0-200-FC64-*	6.35 (2.89)	63.5	BWA-50.0X3.0-200-*	RFC64-200-*
2"	50.0X5.0	A/BWA-50.0X5.0-200-FC64-*	6.48 (2.95)	63.5	BWA-50.0X5.0-200-*	RFC64-200-*
2"	50.0X6.0	A/BWA-50.0X6.0-200-FC64-*	6.55 (2.98)	63.5	BWA-50.0X6.0-200-*	RFC64-200-*
2"	60.0X3.0	A/BWA-60.0X3.0-200-FC64-*	6.24 (2.84)	63.5	BWA-60.0X3.0-200-*	RFC64-200-*
2"	60.0X5.0	A/BWA-60.0X5.0-200-FC64-*	5.97 (2.71)	63.5	BWA-60.0X5.0-200-*	RFC64-200-*
2"	60.0X6.0	A/BWA-60.0X6.0-200-FC64-*	6.44 (2.92)	63.5	BWA-60.0X6.0-200-*	RFC64-200-*
2"	60.0X8.0	A/BWA-60.0X8.0-200-FC64-*	6.61 (3.00)	63.5	BWA-60.0X8.0-200-*	RFC64-200-*
2"	60.3X3.9	A/BWA-SCH40-200-FC64-*	6.40 (2.91)	63.5	BWA-SCH40-200-*	RFC64-200-*
2"	60.3X5.5	A/BWA-SCH80-200-FC64-*	6.50 (2.95)	63.5	BWA-SCH80-200-*	RFC64-200-*
2"	60.3X8.7	A/BWA-SCH160-200-FC64-*	6.67 (3.03)	63.5	BWA-SCH160-200-*	RFC64-200-*
2"	60.3X11.1	A/BWA-SCHXXS-200-FC64-*	6.71 (3.05)	63.5	BWA-SCHXXS-200-*	RFC64-200-*
2"	66.0X8.5	A/BWA-66.0X8.5-200-FC64-*	6.56 (2.98)	63.5	BWA-66.0X8.5-200-*	RFC64-200-*

*** Materials:**

Standard, No Designation = All Carbon Steel, Clear Zinc Plated (Cr6 Free).

SS = Stainless Steel, Type 316.

ZSS = Carbon Steel Flange with Stainless Steel Adapter Body, Type 316.

HDGSS = Carbon Steel, Hot Dip Galvanized Flange with Stainless Steel Adapter Body, Type 316.

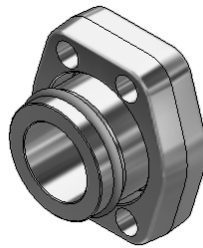
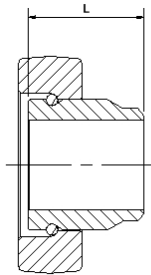
Note: To Order A Retain Ring Flange with Threaded Holes, Replace FC with FTM in the Part Number.

Ordering Example: A/BWA-50.0X3.0-200-FC64-SS

* Insert Material

SAE 6000 PSI Butt Weld Adapter Assembly Retain Ring Style with Clearance Holes, NPS

SAE J518 Code 62 (ISO 6162-2)



Complete Flange Set Includes:

- One (1) Retain Ring Flange
- One (1) Weld Adapter Body
- One (1) Retain Ring

To be Ordered Separately:

- Bolt Kit (See Page H25)
- O-Ring Spacer (See Page H75)

A/BWAR - Butt Weld Adapter Assembly Retain Ring Style with Clearance Holes, NPS

Size	Pipe Size	Complete Flange Set Part Number	WT/Set lbs (kg)	Dimension (in) L	Weld Adapter Body Part Number	Flange Part Number	Retain Ring (Stainless Steel) Part Number
1/2"	1/2" SCH80	A/BWAR-SCH80-050-FC64-*	0.67 (0.30)	1.25	BWAR-SCH80-050-*	RFC64-050-*	R-050
1/2"	1/2" SCH160	A/BWAR-SCH160-050-FC64-*	0.68 (0.31)	1.25	BWAR-SCH160-050-*	RFC64-050-*	R-050
1/2"	1/2" SCHXXS	A/BWAR-SCHXXS-050-FC64-*	0.69 (0.31)	1.25	BWAR-SCHXXS-050-*	RFC64-050-*	R-050
3/4"	3/4" SCH80	A/BWAR-SCH80-075-FC64-*	1.29 (0.59)	1.75	BWAR-SCH80-075-*	RFC64-075-*	R-075
3/4"	3/4" SCH160	A/BWAR-SCH160-075-FC64-*	1.37 (0.62)	1.75	BWAR-SCH160-075-*	RFC64-075-*	R-075
3/4"	3/4" SCHXXS	A/BWAR-SCHXXS-075-FC64-*	1.40 (0.64)	1.75	BWAR-SCHXXS-075-*	RFC64-075-*	R-075
1"	1" SCH80	A/BWAR-SCH80-100-FC64-*	1.66 (0.75)	1.75	BWAR-SCH80-100-*	RFC64-100-*	R-100
1"	1" SCH160	A/BWAR-SCH160-100-FC64-*	1.77 (0.80)	1.75	BWAR-SCH160-100-*	RFC64-100-*	R-100
1"	1" SCHXXS	A/BWAR-SCHXXS-100-FC64-*	1.81 (0.82)	1.75	BWAR-SCHXXS-100-*	RFC64-100-*	R-100
1-1/4"	1-1/4" SCH80	A/BWAR-SCH80-125-FC64-*	2.69 (1.22)	2.00	BWAR-SCH80-125-*	RFC64-125-*	R-125
1-1/4"	1-1/4" SCH160	A/BWAR-SCH160-125-FC64-*	2.72 (1.24)	2.00	BWAR-SCH160-125-*	RFC64-125-*	R-125
1-1/4"	1-1/4" SCHXXS	A/BWAR-SCHXXS-125-FC64-*	2.83 (1.29)	2.00	BWAR-SCHXXS-125-*	RFC64-125-*	R-125
1-1/2"	1-1/2" SCH80	A/BWAR-SCH80-150-FC64-*	3.79 (1.72)	2.25	BWAR-SCH80-150-*	RFC64-150-*	R-150
1-1/2"	1-1/2" SCH160	A/BWAR-SCH160-150-FC64-*	4.43 (2.01)	2.25	BWAR-SCH160-150-*	RFC64-150-*	R-150
1-1/2"	1-1/2" SCHXXS	A/BWAR-SCHXXS-150-FC64-*	4.45 (2.02)	2.25	BWAR-SCHXXS-150-*	RFC64-150-*	R-150
2"	2" SCH80	A/BWAR-SCH80-200-FC64-*	6.50 (2.95)	2.50	BWAR-SCH80-200-*	RFC64-200-*	R-200
2"	2" SCH160	A/BWAR-SCH160-200-FC64-*	6.67 (3.03)	2.50	BWAR-SCH160-200-*	RFC64-200-*	R-200
2"	2" SCHXXS	A/BWAR-SCHXXS-200-FC64-*	6.71 (3.05)	2.50	BWAR-SCHXXS-200-*	RFC64-200-*	R-200

*** Materials:**

Standard, No Designation = All Carbon Steel, Clear Zinc Plated (Cr6 Free).

SS = Stainless Steel, Type 316.

ZSS = Carbon Steel Flange with Stainless Steel Adapter Body, Type 316.

HDGSS = Carbon Steel, Hot Dip Galvanized Flange with Stainless Steel Adapter Body, Type 316.

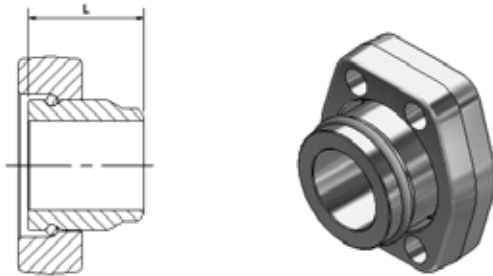
Note: To Order A Retain Ring Flange with Threaded Holes, Replace FC with FT in the Part Number.

Ordering Example: A/BWAR-SCH80-200-FC64-SS

* Insert Material

SAE 6000 PSI Butt Weld Adapter Assembly Retain Ring Style with Clearance Holes, Metric

SAE J518 Code 62 (ISO 6162-2)



Complete Flange Set Includes:

- One (1) Retain Ring Flange
- One (1) Weld Adapter Body
- One (1) Retain Ring

To be Ordered Separately:

- Bolt Kit (See Page H25)
- O-Ring Spacer (See Page H75)

A/BWAR - Butt Weld Adapter Assembly Retain Ring Style with Clearance Holes, Metric

Size	Pipe Size OD x Wall	Complete Flange Set Part Number	WT/Set lbs (kg)	Dimension (mm) L	Weld Adapter Body Part Number	Flange Part Number	Retain Ring (Stainless Steel) Part Number
1/2"	16.0x2.0	A/BWAR-16.0X2.0-050-FC64-*	0.68 (0.31)	38.1	BWAR-16.0X2.0-050-*	RFC64-050-*	R-050
1/2"	18.0x2.0	A/BWAR-18.0X2.0-050-FC64-*	0.68 (0.31)	38.1	BWAR-18.0X2.0-050-*	RFC64-050-*	R-050
1/2"	20.0x2.0	A/BWAR-20.0X2.0-050-FC64-*	0.70 (0.35)	38.1	BWAR-20.0X2.0-050-*	RFC64-050-*	R-050
1/2"	20.0x2.5	A/BWAR-20.0X2.5-050-FC64-*	0.70 (0.35)	38.1	BWAR-20.0X2.5-050-*	RFC64-050-*	R-050
1/2"	20.0x3.0	A/BWAR-20.0X3.0-050-FC64-*	0.70 (0.35)	38.1	BWAR-20.0X3.0-050-*	RFC64-050-*	R-050
1/2"	21.3x2.8	A/BWAR-SCH40-050-FC64-*	0.66 (0.30)	31.8	BWAR-SCH40-050-*	RFC64-050-*	R-050
1/2"	21.3X3.7	A/BWAR-SCH80-050-FC64-*	0.67 (0.30)	31.8	BWAR-SCH80-050-*	RFC64-050-*	R-050
1/2"	21.3x4.8	A/BWAR-SCH160-050-FC64-*	0.68 (0.31)	31.8	BWAR-SCH160-050-*	RFC64-050-*	R-050
1/2"	21.3X7.5	A/BWAR-SCHXXS-050-FC64-*	0.69 (0.31)	31.8	BWAR-SCHXXS-050-*	RFC64-050-*	R-050
1/2"	25.0X2.5	A/BWAR-25.0X2.5-050-FC64-*	0.69 (0.31)	38.1	BWAR-25.0X2.5-050-*	RFC64-050-*	R-050
1/2"	25.0X3.0	A/BWAR-25.0X3.0-050-FC64-*	0.69 (0.31)	38.1	BWAR-25.0X3.0-050-*	RFC64-050-*	R-050
1/2"	26.0X6.0	A/BWAR-26.0X6.0-050-FC64-*	0.74 (0.34)	38.1	BWAR-26.0X6.0-050-*	RFC64-050-*	R-050
3/4"	20.0X2.0	A/BWAR-20.0X2.0-075-FC64-*	1.32 (0.60)	44.5	BWAR-20.0X2.0-075-*	RFC64-075-*	R-075
3/4"	20.0X2.5	A/BWAR-20.0X2.5-075-FC64-*	1.34 (0.61)	44.5	BWAR-20.0X2.5-075-*	RFC64-075-*	R-075
3/4"	20.0X3.0	A/BWAR-20.0X3.0-075-FC64-*	1.34 (0.61)	44.5	BWAR-20.0X3.0-075-*	RFC64-075-*	R-075
3/4"	25.0X2.5	A/BWAR-25.0X2.5-075-FC64-*	1.31 (0.60)	44.5	BWAR-25.0X2.5-075-*	RFC64-075-*	R-075
3/4"	25.0X3.0	A/BWAR-25.0X3.0-075-FC64-*	1.32 (0.60)	44.5	BWAR-25.0X3.0-075-*	RFC64-075-*	R-075
3/4"	25.0X4.0	A/BWAR-25.0X4.0-075-FC64-*	1.34 (0.61)	44.5	BWAR-25.0X4.0-075-*	RFC64-075-*	R-075
3/4"	26.7X2.9	A/BWAR-SCH40-075-FC64-*	1.27 (0.58)	44.5	BWAR-SCH40-075-*	RFC64-075-*	R-075
3/4"	26.7X3.9	A/BWAR-SCH80-075-FC64-*	1.29 (0.59)	44.5	BWAR-SCH80-075-*	RFC64-075-*	R-075
3/4"	26.7X5.5	A/BWAR-SCH160-075-FC64-*	1.37 (0.62)	44.5	BWAR-SCH160-075-*	RFC64-075-*	R-075
3/4"	26.7X7.8	A/BWAR-SCHXXS-075-FC64-*	2.02 (0.92)	44.5	BWAR-SCHXXS-075-*	RFC64-075-*	R-075
3/4"	30.0X3.0	A/BWAR-30.0X3.0-075-FC64-*	1.22 (0.55)	44.5	BWAR-30.0X3.0-075-*	RFC64-075-*	R-075
3/4"	30.0X4.0	A/BWAR-30.0X4.0-075-FC64-*	1.25 (0.57)	44.5	BWAR-30.0X4.0-075-*	RFC64-075-*	R-075
3/4"	36.0X8.0	A/BWAR-36.0X8.0-075-FC64-*	1.40 (0.64)	44.5	BWAR-36.0X8.0-075-*	RFC64-075-*	R-075

*** Materials:**

Standard, No Designation = All Carbon Steel, Clear Zinc Plated (Cr6 Free).

SS = Stainless Steel, Type 316.

ZSS = Carbon Steel Flange with Stainless Steel Adapter Body, Type 316.

HDGSS = Carbon Steel, Hot Dip Galvanized Flange with Stainless Steel Adapter Body, Type 316.

Note: To Order A Retain Ring Flange with Threaded Holes, Replace FC with FT in the Part Number.

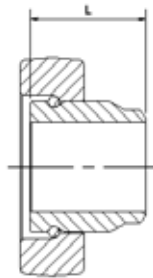
Ordering Example: A/BWAR-50.0X3.0-200-FC64-SS

* Insert Material _____

3D step models available upon request

SAE 6000 PSI Butt Weld Adapter Assembly Retain Ring Style with Clearance Holes, Metric

SAE J518 Code 62 (ISO 6162-2)



Complete Flange Set Includes:

- One (1) Retain Ring Flange
- One (1) Weld Adapter Body
- One (1) Retain Ring

To be Ordered Separately:

- Bolt Kit (See Page H25)
- O-Ring Spacer (See Page H75)

A/BWAR - Butt Weld Adapter Assembly Retain Ring Style with Clearance Holes, Metric

Size	Pipe Size OD x Wall	Complete Flange Set Part Number	WT/Set lbs (kg)	Dimension (mm) L	Weld Adapter Body Part Number	Flange Part Number	Retain Ring (Stainless Steel) Part Number
1"	25.0X2.5	A/BWAR-25.0X2.5-100-FC64-*	1.64 (0.75)	44.5	BWAR-25.0X2.5-100-*	RFC64-100-*	R-100
1"	25.0x3.0	A/BWAR-25.0X3.0-100-FC64-*	1.64 (0.75)	44.5	BWAR-25.0X3.0-100-*	RFC64-100-*	R-100
1"	25.0X4.0	A/BWAR-25.0X4.0-100-FC64-*	1.67 (0.76)	44.5	BWAR-25.0X4.0-100-*	RFC64-100-*	R-100
1"	30.0X3.0	A/BWAR-30.0X3.0-100-FC64-*	1.68 (0.76)	44.5	BWAR-30.0X3.0-100-*	RFC64-100-*	R-100
1"	30.0X4.0	A/BWAR-30.0X4.0-100-FC64-*	1.66 (0.75)	44.5	BWAR-30.0X4.0-100-*	RFC64-100-*	R-100
1"	30.0X5.0	A/BWAR-30.0X5.0-100-FC64-*	1.73 (0.79)	44.5	BWAR-30.0X5.0-100-*	RFC64-100-*	R-100
1"	33.4X3.4	A/BWAR-SCH40-100-FC64-*	1.66 (0.75)	44.5	BWAR-SCH40-100-*	RFC64-100-*	R-100
1"	33.4X4.6	A/BWAR-SCH80-100-FC64-*	1.66 (0.75)	44.5	BWAR-SCH80-100-*	RFC64-100-*	R-100
1"	33.4X6.4	A/BWAR-SCH160-100-FC64-*	1.77 (0.80)	44.5	BWAR-SCH160-100-*	RFC64-100-*	R-100
1"	33.4X9.1	A/BWAR-SCHXXS-100-FC64-*	1.81 (0.82)	44.5	BWAR-SCHXXS-100-*	RFC64-100-*	R-100
1"	38.0X4.0	A/BWAR-38.0X4.0-100-FC64-*	1.66 (0.75)	44.5	BWAR-38.0X4.0-100-*	RFC64-100-*	R-100
1"	38.0X5.0	A/BWAR-38.0X5.0-100-FC64-*	1.66 (0.75)	44.5	BWAR-38.0X5.0-100-*	RFC64-100-*	R-100
1"	38.0X6.0	A/BWAR-38.0X6.0-100-FC64-*	1.75 (0.80)	44.5	BWAR-38.0X6.0-100-*	RFC64-100-*	R-100
1"	39.0X7.5	A/BWAR-39.0X7.5-100-FC64-*	1.78 (0.81)	44.5	BWAR-39.0X7.5-100-*	RFC64-100-*	R-100
1-1/4"	30.0X3.0	A/BWAR-30.0X3.0-125-FC64-*	2.67 (1.21)	50.8	BWAR-30.0X3.0-125-*	RFC64-125-*	R-125
1-1/4"	30.0X4.0	A/BWAR-30.0X4.0-125-FC64-*	2.70 (1.23)	50.8	BWAR-30.0X4.0-125-*	RFC64-125-*	R-125
1-1/4"	30.0X5.0	A/BWAR-30.0X5.0-125-FC64-*	2.72 (1.24)	50.8	BWAR-30.0X5.0-125-*	RFC64-125-*	R-125
1-1/4"	38.0X4.0	A/BWAR-38.0X4.0-125-FC64-*	2.66 (1.21)	50.8	BWAR-38.0X4.0-125-*	RFC64-125-*	R-125
1-1/4"	38.0X5.0	A/BWAR-38.0X5.0-125-FC64-*	2.69 (1.22)	50.8	BWAR-38.0X5.0-125-*	RFC64-125-*	R-125
1-1/4"	38.0X6.0	A/BWAR-38.0X6.0-125-FC64-*	2.72 (1.24)	50.8	BWAR-38.0X6.0-125-*	RFC64-125-*	R-125
1-1/4"	42.0X3.0	A/BWAR-42.0X3.0-125-FC64-*	2.67 (1.21)	50.8	BWAR-42.0X3.0-125-*	RFC64-125-*	R-125
1-1/4"	42.0X4.0	A/BWAR-42.0X4.0-125-FC64-*	2.68 (1.22)	50.8	BWAR-42.0X4.0-125-*	RFC64-125-*	R-125
1-1/4"	42.2X3.6	A/BWAR-SCH40-125-FC64-*	2.68 (1.22)	50.8	BWAR-SCH40-125-*	RFC64-125-*	R-125
1-1/4"	42.2X4.9	A/BWAR-SCH80-125-FC64-*	2.68 (1.22)	50.8	BWAR-SCH80-125-*	RFC64-125-*	R-125
1-1/4"	42.2X6.4	A/BWAR-SCH160-125-FC64-*	2.68 (1.22)	50.8	BWAR-SCH160-125-*	RFC64-125-*	R-125
1-1/4"	42.2X9.7	A/BWAR-SCHXXS-125-FC64-*	2.83 (1.29)	50.8	BWAR-SCHXXS-125-*	RFC64-125-*	R-125
1-1/4"	46.0X8.5	A/BWAR-46.0X8.5-125-FC64-*	2.83 (1.29)	50.8	BWAR-46.0X8.5-125-*	RFC64-125-*	R-125

IMPORTANT NOTE: For 1-1/4" SAE 6000 PSI (ISO 6162-2) Flanges with M14 bolt requirements please add -M14 to the end of the part numbers above

*** Materials:**

Standard, No Designation = All Carbon Steel, Clear Zinc Plated (Cr6 Free).

SS = Stainless Steel, Type 316.

ZSS = Carbon Steel Flange with Stainless Steel Adapter Body, Type 316.

HDGSS = Carbon Steel, Hot Dip Galvanized Flange with Stainless Steel Adapter Body, Type 316.

Note: To Order A Retain Ring Flange with Threaded Holes, Replace FC with FT in the Part Number.

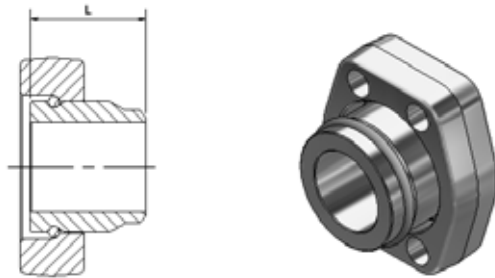
Ordering Example: A/BWAR-50.0X3.0-200-FC64-SS

* Insert Material

3D step models available upon request

SAE 6000 PSI Butt Weld Adapter Assembly Retain Ring Style with Clearance Holes, Metric

SAE J518 Code 62 (ISO 6162-2)



Complete Flange Set Includes:

- One (1) Retain Ring Flange
- One (1) Weld Adapter Body
- One (1) Retain Ring

To be Ordered Separately:

- Bolt Kit (See Page H25)
- O-Ring Spacer (See Page H75)

A/BWAR - Butt Weld Adapter Assembly Retain Ring Style with Clearance Holes, Metric

Size	Pipe Size OD x Wall	Complete Flange Set Part Number	WT/Set lbs (kg)	Dimension (mm) L	Weld Adapter Body Part Number	Flange Part Number	Retain Ring (Stainless Steel) Part Number
1-1/2"	38.0X4.0	A/BWAR-38.0X4.0-150-FC64-*	4.13 (1.88)	57.2	BWAR-38.0X4.0-150-*	RFC64-150-*	R-150
1-1/2"	38.0X5.0	A/BWAR-38.0X5.0-150-FC64-*	4.08 (1.85)	57.2	BWAR-38.0X5.0-150-*	RFC64-150-*	R-150
1-1/2"	38.0X6.0	A/BWAR-38.0X6.0-150-FC64-*	4.21 (1.91)	57.2	BWAR-38.0X6.0-150-*	RFC64-150-*	R-150
1-1/2"	42.0X3.0	A/BWAR-42.0X3.0-150-FC64-*	4.03 (1.83)	57.2	BWAR-42.0X3.0-150-*	RFC64-150-*	R-150
1-1/2"	42.0X4.0	A/BWAR-42.0X4.0-150-FC64-*	4.08 (1.85)	57.2	BWAR-42.0X4.0-150-*	RFC64-150-*	R-150
1-1/2"	48.3X3.7	A/BWAR-SCH40-150-FC64-*	4.18 (1.90)	57.2	BWAR-SCH40-150-*	RFC64-150-*	R-150
1-1/2"	48.3X5.1	A/BWAR-SCH80-150-FC64-*	4.11 (1.87)	57.2	BWAR-SCH80-150-*	RFC64-150-*	R-150
1-1/2"	48.3X7.1	A/BWAR-SCH160-150-FC64-*	4.43 (2.01)	57.2	BWAR-SCH160-150-*	RFC64-150-*	R-150
1-1/2"	48.3X10.2	A/BWAR-SCHXXS-150-FC64-*	4.37 (1.99)	57.2	BWAR-SCHXXS-150-*	RFC64-150-*	R-150
1-1/2"	50.0X3.0	A/BWAR-50.0X3.0-150-FC64-*	4.05 (1.84)	57.2	BWAR-50.0X3.0-150-*	RFC64-150-*	R-150
1-1/2"	50.0X5.0	A/BWAR-50.0X5.0-150-FC64-*	3.98 (1.81)	57.2	BWAR-50.0X5.0-150-*	RFC64-150-*	R-150
1-1/2"	56.0X8.5	A/BWAR-56.0X8.5-150-FC64-*	4.41 (2.00)	57.2	BWAR-56.0X8.5-150-*	RFC64-150-*	R-150
2"	50.0X3.0	A/BWAR-50.0X3.0-200-FC64-*	6.35 (2.89)	63.5	BWAR-50.0X3.0-200-*	RFC64-200-*	R-200
2"	50.0X5.0	A/BWAR-50.0X5.0-200-FC64-*	6.48 (2.95)	63.5	BWAR-50.0X5.0-200-*	RFC64-200-*	R-200
2"	50.0X6.0	A/BWAR-50.0X6.0-200-FC64-*	6.55 (2.98)	63.5	BWAR-50.0X6.0-200-*	RFC64-200-*	R-200
2"	60.0X3.0	A/BWAR-60.0X3.0-200-FC64-*	6.24 (2.84)	63.5	BWAR-60.0X3.0-200-*	RFC64-200-*	R-200
2"	60.0X5.0	A/BWAR-60.0X5.0-200-FC64-*	5.97 (2.71)	63.5	BWAR-60.0X5.0-200-*	RFC64-200-*	R-200
2"	60.0X6.0	A/BWAR-60.0X6.0-200-FC64-*	6.44 (2.92)	63.5	BWAR-60.0X6.0-200-*	RFC64-200-*	R-200
2"	60.0X8.0	A/BWAR-60.0X8.0-200-FC64-*	6.61 (3.00)	63.5	BWAR-60.0X8.0-200-*	RFC64-200-*	R-200
2"	60.3X3.9	A/BWAR-SCH40-200-FC64-*	6.40 (2.91)	63.5	BWAR-SCH40-200-*	RFC64-200-*	R-200
2"	60.3X5.5	A/BWAR-SCH80-200-FC64-*	6.50 (2.95)	63.5	BWAR-SCH80-200-*	RFC64-200-*	R-200
2"	60.3X8.7	A/BWAR-SCH160-200-FC64-*	6.67 (3.03)	63.5	BWAR-SCH160-200-*	RFC64-200-*	R-200
2"	60.3X11.1	A/BWAR-SCHXXS-200-FC64-*	6.71 (3.05)	63.5	BWAR-SCHXXS-200-*	RFC64-200-*	R-200
2"	66.0X8.5	A/BWAR-66.0X8.5-200-FC64-*	6.56 (2.98)	63.5	BWAR-66.0X8.5-200-*	RFC64-200-*	R-200

* Materials:

Standard, No Designation = All Carbon Steel, Clear Zinc Plated (Cr6 Free).

SS = Stainless Steel, Type 316.

ZSS = Carbon Steel Flange with Stainless Steel Adapter Body, Type 316.

HDGSS = Carbon Steel, Hot Dip Galvanized Flange with Stainless Steel Adapter Body, Type 316.

Note: To Order A Retain Ring Flange with Threaded Holes, Replace FC with FT in the Part Number.

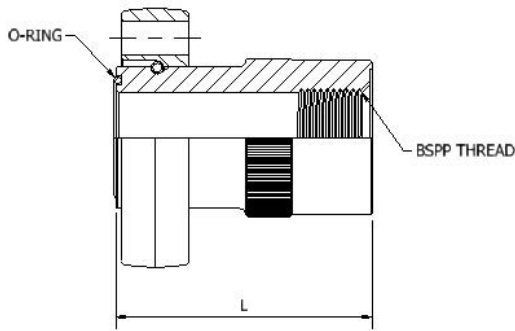
Ordering Example: A/BWAR-50.0X3.0-200-FC64-SS

* Insert Material

3D step models available upon request

SAE 6000 PSI BSPP Female Thread Adapter Complete Assembly

SAE J518 Code 62 (ISO 6162-2)



Complete Flange Set Includes:

- One (1) Female Thread Adapter
- One (1) Retain Ring Flange
- One (1) Retain Ring
- One (1) Face O-Ring (O-Ring 1)

To be Ordered Separately:

- Bolt Kit (See Page H25)

A/FBTA - BSPP Female Thread Adapter Complete Assembly with Buna O-Ring

Size (flange x thread)	Complete Assembly Part Number	Dimensions in (mm)		Thread Size	O-Ring (Buna) Part Number	Assembly WT lbs (kg)	Body Only Part Number	Body Only WT lbs (kg)
		L	R					
1/2"x 1/4"	A/FBTA-050x025-FC64-*^-^	2.50 (63.5)	1/4"	1/4"	OR^-3-909	0.95 (0.43)	FBTA-050x025-*^-^	0.52 (0.24)
3/4"x 1/2"	A/FBTA-075x050-FC64-*^-^	2.88 (73.0)	1/2"	1/2"	OR^-3-913	1.79 (0.81)	FBTA-075x050-*^-^	0.97 (0.44)
1"x 3/4"	A/FBTA-100x075-FC64-*^-^	3.75 (95.3)	3/4"	3/4"	OR^-3-916	3.14 (1.41)	FBTA-100x075-*^-^	1.98 (0.90)
1-1/4"x 1"	A/FBTA-125x100-FC64-*^-^	3.88 (98.6)	1"	1"	OR^-3-918	4.14 (1.88)	FBTA-125x100-*^-^	2.28 (1.04)
1-1/2"x 1-1/4"	A/FBTA-150x125-FC64-*^-^	4.00 (101.6)	1-1/4"	1-1/4"	OR^-3-924	5.97 (2.71)	FBTA-150x125-*^-^	2.83 (1.28)
2"x 1-1/2"	A/FBTA-200x150-FC64-*^-^	4.25 (108.0)	1-1/2"	1-1/2"	OR^-3-928	8.49 (3.86)	FBTA-200x150-*^-^	3.67 (1.66)

Flange Option:

Standard, FC64 = SAE 6000 PSI Code 62 (ISO 6162-2) Clearance Flange.

FT64 = SAE 6000 PSI Code 62 (ISO 6162-2) UNC Threaded Flange.

FTM64 = SAE 6000 PSI Code 62 (ISO 6162-2) Metric Threaded Flange.

* Materials:

Standard, No Designation = All Carbon Steel, Clear Zinc Plated (Cr6 Free).

SS = Stainless Steel, Type 316.

^ O-Ring Type:

Standard, No Designation = Buna Nitrile.

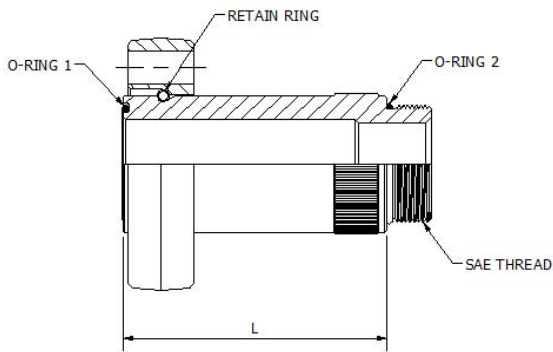
V = Viton.

Ordering Example: A/FBTA-200x200-FC64-SS-V



SAE 6000 PSI SAE Male Thread Adapter Complete Assembly

SAE J518 Code 62 (ISO 6162-2)



Complete Flange Set Includes:

- One (1) Male Thread Adapter
- One (1) Retain Ring Flange
- One (1) Retain Ring
- One (1) Face O-Ring (O-Ring 1)
- One (1) Thread O-Ring (O-Ring 2)

To be Ordered Separately:

- Bolt Kit (See Page H25)

A/STA - SAE Male Thread Adapter Complete Assembly

Size (flange x thread)	Complete Assembly Part Number	Dimensions in (mm)		Thread Size UNF/UN-2A	O-Ring 1 (Buna) Part No.	O-Ring 2 (Buna) Part No.	Assembly WT lbs (kg)	Body Only Part Number	Body Only WT lbs (kg)
		L							
1/2"x 3/8"	A/STA-050x038-FC64-*^-^	2.63 (66.80)		9/16"-18	OR^3-909	OR^3-906	0.96 (0.44)	STA-050x038-*	0.50 (0.23)
1/2"x 1/2"	A/STA-050x050-FC64-*^-^	2.63 (66.80)		3/4"-16	OR^3-909	OR^3-908	0.94 (0.43)	STA-050x050-*	0.52 (0.24)
1/2"x 5/8"	A/STA-050x063-FC64-*^-^	2.63 (66.80)		7/8"-14	OR^3-909	OR^3-910	1.00 (0.45)	STA-050x063-*	0.57 (0.26)
1/2"x 3/4"	A/STA-050x075-FC64-*^-^	2.63 (66.80)		1 1/16"-12	OR^3-909	OR^3-912	1.12 (0.50)	STA-050x075-*	0.66 (0.30)
3/4"x 1/2"	A/STA-075x050-FC64-*^-^	2.75 (69.85)		3/4"-16	OR^3-913	OR^3-908	1.50 (0.68)	STA-075x050-*	1.00 (0.45)
3/4"x 3/4"	A/STA-075x075-FC64-*^-^	2.75 (69.85)		1 1/16"-12	OR^3-913	OR^3-912	1.57 (0.71)	STA-075x075-*	1.07 (0.49)
3/4"x 1"	A/STA-075x100-FC64-*^-^	2.75 (69.85)		1 5/16"-12	OR^3-913	OR^3-916	1.78 (0.81)	STA-075x100-*	1.15 (0.52)
1"x 3/4"	A/STA-100x075-FC64-*^-^	3.00 (76.20)		1 1/16"-12	OR^3-916	OR^3-912	1.88 (0.85)	STA-100x075-*	1.25 (0.57)
1"x 1"	A/STA-100x100-FC64-*^-^	3.00 (76.20)		1 5/16"-12	OR^3-916	OR^3-916	1.93 (0.88)	STA-100x100-*	1.30 (0.59)
1"x 1-1/4"	A/STA-100x125-FC64-*^-^	3.00 (76.20)		1 5/8"-12	OR^3-916	OR^3-920	2.12 (0.96)	STA-100x125-*	1.49 (0.68)
1-1/4"x 1"	A/STA-125x100-FC64-*^-^	3.25 (82.55)		1 5/16"-12	OR^3-918	OR^3-916	2.65 (1.20)	STA-125x100-*	1.75 (0.79)
1-1/4"x 1-1/4"	A/STA-125x125-FC64-*^-^	3.25 (82.55)		1 5/8"-12	OR^3-918	OR^3-920	2.72 (1.23)	STA-125x125-*	1.82 (0.83)
1-1/4"x 1-1/2"	A/STA-125x150-FC64-*^-^	3.25 (82.55)		1 7/8"-12	OR^3-918	OR^3-924	2.93 (1.33)	STA-125x150-*	2.03 (0.92)
1-1/2"x 1-1/4"	A/STA-150x125-FC64-*^-^	4.25 (107.95)		1 5/8"-12	OR^3-924	OR^3-920	3.84 (1.74)	STA-150x125-*	2.94 (1.33)
1-1/2"x 1-1/2"	A/STA-150x150-FC64-*^-^	4.25 (107.95)		1 7/8"-12	OR^3-924	OR^3-924	4.32 (1.96)	STA-150x150-*	2.97 (1.35)
1-1/2" x 2"	A/STA-150x200-FC64-*^-^	4.25 (107.95)		2 1/2"-12	OR^3-924	OR^3-932	4.89 (2.22)	STA-150x200-*	3.54 (1.61)
2"x 1-1/2"	A/STA-200x150-FC64-*^-^	4.38 (111.25)		1 7/8"-12	OR^3-928	OR^3-924	5.78 (2.62)	STA-200x150-*	3.76 (1.71)
2"x 2"	A/STA-200x200-FC64-*^-^	4.38 (111.25)		2 1/2"-12	OR^3-928	OR^3-932	5.98 (2.71)	STA-200x200-*	3.96 (1.80)

Flange Option:

Standard, FC64 = SAE 6000 PSI Code 62 (ISO 6162-2) Clearance Flange.

FT64 = SAE 6000 PSI Code 62 (ISO 6162-2) UNC Threaded Flange.

FTM64 = SAE 6000 PSI Code 62 (ISO 6162-2) Metric Threaded Flange.

* Materials:

Standard, No Designation = All Carbon Steel, Clear Zinc Plated (Cr6 Free).

SS = Stainless Steel, Type 316. Body Only

SSA = Stainless Steel, Type 316. All SS including flange

^ O-Ring Type:

Standard, No Designation = Buna Nitrile.

V = Viton.

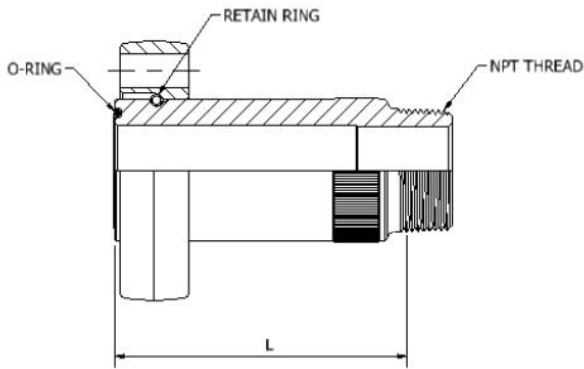
Ordering Example: A/STA-200x150-FC64-SS-V



3D step models available upon request

SAE 6000 PSI NPT Male Thread Adapter Complete Assembly

SAE J518 Code 62 (ISO 6162-2)



Complete Flange Set Includes:

- One (1) Male Thread Adapter
- One (1) Retain Ring Flange
- One (1) Retain Ring
- One (1) Face O-Ring (O-Ring 1)

To be Ordered Separately:

- Bolt Kit (See Page H25)

A/NTA - NPT Male Thread Adapter – Complete Assembly with Buna O-Ring

Size (flange x thread)	Complete Assembly Part Number	Dimension in (mm) L	NPTF Thread (Dryseal)	O-Ring (Buna) Part Number	Assembly WT lbs (kg)	Body Only Part Number	Body Only WT lbs (kg)
1/2"x 1/2"	A/NTA-050x050-FC64-*^-^	2.88 (73.15)	1/2"-14	OR*-3-909	1.1 (.50)	NTA-050x050-*^-^	.54 (.25)
1/2"x 3/4"	A/NTA-050x075-FC64-*^-^	2.86 (72.64)	3/4"-14	OR*-3-909	1.25 (.56)	NTA-050x075-*^-^	.69 (.31)
3/4"x 1/2"	A/NTA-075x050-FC64-*^-^	3.00 (76.2)	1/2"-14	OR*-3-913	2.03 (.93)	NTA-075x050-*^-^	1.06 (.48)
3/4"x 3/4"	A/NTA-075x075-FC64-*^-^	2.98 (75.69)	3/4"-14	OR*-3-913	2.04 (.93)	NTA-075x075-*^-^	1.07 (.49)
3/4"x 1"	A/NTA-075x100-FC64-*^-^	3.07 (77.98)	1"-11-1/2	OR*-3-913	2.07 (.94)	NTA-075x100-*^-^	1.10 (.50)
1"x 3/4"	A/NTA-100x075-FC64-*^-^	3.23 (82.04)	3/4"-14	OR*-3-916	2.37 (1.08)	NTA-100x075-*^-^	1.10 (.50)
1"x 1"	A/NTA-100x100-FC64-*^-^	3.32 (84.33)	1"-11-1/2	OR*-3-916	2.52 (1.15)	NTA-100x100-*^-^	1.25 (.57)
1"x 1-1/4"	A/NTA-100x125-FC64-*^-^	3.33 (84.58)	1-1/4"-11-1/2	OR*-3-916	2.72 (1.24)	NTA-100x125-*^-^	1.45 (.66)
1-1/4"x 1"	A/NTA-125x100-FC64-*^-^	3.57 (90.68)	1"-11-1/2	OR*-3-918	3.33 (1.51)	NTA-125x100-*^-^	1.44 (.66)
1-1/4"x 1-1/4"	A/NTA-125x125-FC64-*^-^	3.58 (90.93)	1-1/4"-11-1/2	OR*-3-918	3.7 (1.68)	NTA-125x125-*^-^	1.81 (.82)
1-1/4"x 1-1/2"	A/NTA-125x150-FC64-*^-^	3.61 (91.69)	1-1/2"-11-1/2	OR*-3-918	3.92 (1.78)	NTA-125x150-*^-^	2.03 (.92)
1-1/2"x 1-1/4"	A/NTA-150x125-FC64-*^-^	4.58 (116.33)	1-1/4"-11-1/2	OR*-3-924	5.49 (2.49)	NTA-150x125-*^-^	2.17 (.98)
1-1/2"x 1-1/2"	A/NTA-150x150-FC64-*^-^	4.61 (117.09)	1-1/2"-11-1/2	OR*-3-924	6.27 (2.84)	NTA-150x150-*^-^	2.95 (1.33)
1-1/2" x 2"	A/NTA-150x200-FC64-*^-^	4.63 (117.60)	2"-11-1/2	OR*-3-924	6.85 (3.11)	NTA-150x200-*^-^	3.53 (1.60)
2"x 1-1/2"	A/NTA-200x150-FC64-*^-^	4.61 (117.09)	1-1/2"-11-1/2	OR*-3-928	8.02 (3.64)	NTA-200x150-*^-^	3.02 (1.37)
2"x 2"	A/NTA-200x200-FC64-*^-^	4.63 (117.60)	2"-11-1/2	OR*-3-928	8.95 (4.06)	NTA-200x200-*^-^	3.95 (1.79)

◆ The seal for the 2" BSPP thread consists of a self-centering bonded seal.

Flange Option:

Standard, FC64 = SAE 6000 PSI Code 62 (ISO 6162-2) Clearance Flange.

FT64 = SAE 6000 PSI Code 62 (ISO 6162-2) UNC Threaded Flange.

FTM64 = SAE 6000 PSI Code 62 (ISO 6162-2) Metric Threaded Flange.

* Materials:

Standard, No Designation = All Carbon Steel, Clear Zinc Plated (Cr6 Free).

SS = Stainless Steel, Type 316. Body Only

SSA = Stainless Steel, Type 316. All Including Flange

^ O-Ring Type:

Standard, No Designation = Buna Nitrile.

V = Viton.

Ordering Example: A/NTA-200x150-FC64-SS-V

Flange Option _____

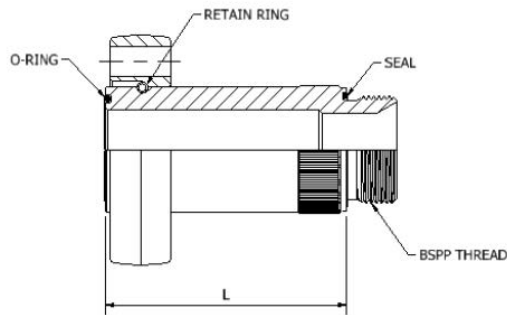
* Insert Material _____

^ Insert O-Ring Type _____

3D step models available upon request

SAE 6000 PSI BSPP Male Thread Adapter Complete Assembly

SAE J518 Code 62 (ISO 6162-2)



Complete Flange Set Includes:

- One (1) Male Thread Adapter
- One (1) Retain Ring Flange
- One (1) Retain Ring
- One (1) Face O-Ring (O-Ring 1)
- One (1) Thread Seal (Seal 2)

To be Ordered Separately:

- Bolt Kit (See Page H25)

A/BTA - BSPP Male Thread Adapter Complete Assembly with Buna O-Rings

Size (flange x thread)	Complete Assembly Part Number	Dimension in (mm) L	Thread Size	O-Ring 1 (Buna) Part Number	Seal 2 (Buna) Part Number	Assembly WT lbs (kg)	Body Only Part Number	Body Only WT lbs (kg)
1/2" x 1/2"	A/BTA-050x050-FC64-*^	2.63 (66.80)	1/2"-14	OR*-3-909	DR*-G050	0.97 (.44)	BTA-050x050-*^	.54 (.25)
1/2" x 3/4"	A/BTA-050x075-FC64-*^	2.63 (66.80)	3/4"-14	OR*-3-909	DR*-G075	1.12 (.51)	BTA-050x075-*^	.69 (.31)
3/4" x 1/2"	A/BTA-075x050-FC64-*^	2.75 (69.85)	1/2"-14	OR*-3-913	DR*-G050	1.89 (.86)	BTA-075x050-*^	1.06 (.48)
3/4" x 3/4"	A/BTA-075x075-FC64-*^	2.75 (69.85)	3/4"-14	OR*-3-913	DR*-G075	1.90 (.86)	BTA-075x075-*^	1.07 (.49)
3/4" x 1"	A/BTA-075x100-FC64-*^	2.75 (69.85)	1"-11 1/2	OR*-3-913	DR*-G100	1.93 (.88)	BTA-075x100-*^	1.10 (.50)
1" x 3/4"	A/BTA-100x075-FC64-*^	3.00 (76.20)	3/4"-14	OR*-3-916	DR*-G075	2.26 (1.03)	BTA-100x075-*^	1.10 (.50)
1" x 1"	A/BTA-100x100-FC64-*^	3.00 (76.20)	1"-11 1/2	OR*-3-916	DR*-G100	2.41 (1.09)	BTA-100x100-*^	1.25 (.57)
1" x 1-1/4"	A/BTA-100x125-FC64-*^	3.00 (76.20)	1-1/4"-11 1/2	OR*-3-916	DR*-G125	2.61 (1.18)	BTA-100x125-*^	1.45 (.66)
1-1/4" x 1"	A/BTA-125x100-FC64-*^	3.25 (82.55)	1"-11 1/2	OR*-3-918	DR*-G100	3.30 (1.50)	BTA-125x100-*^	1.44 (.65)
1-1/4" x 1-1/4"	A/BTA-125x125-FC64-*^	3.25 (82.55)	1-1/4"-11 1/2	OR*-3-918	DR*-G125	3.67 (1.67)	BTA-125x125-*^	1.81 (.82)
1-1/4" x 1-1/2"	A/BTA-125x150-FC64-*^	3.25 (82.55)	1-1/2"-11 1/2	OR*-3-918	DR*-G150	3.89 (1.77)	BTA-125x150-*^	2.03 (.92)
1-1/2" x 1-1/4"	A/BTA-150x125-FC64-*^	4.25 (107.95)	1-1/4"-11 1/2	OR*-3-924	DR*-G125	5.31 (2.41)	BTA-150x125-*^	2.17 (.99)
1-1/2" x 1-1/2"	A/BTA-150x150-FC64-*^	4.25 (107.95)	1-1/2"-11 1/2	OR*-3-924	DR*-G150	6.09 (2.76)	BTA-150x150-*^	2.95 (1.34)
1-1/2" x 2"	A/BTA-150x200-FC64-*^	4.25 (107.95)	2"-11 1/2	OR*-3-924	BS*-3236	6.67 (3.03)	BTA-150x200-*^	3.53 (1.60)
2" x 1-1/2"	A/BTA-200x150-FC64-*^	4.38 (111.25)	1-1/2"-11 1/2	OR*-3-928	DR*-G150	7.84 (3.56)	BTA-200x150-*^	3.02 (1.37)
2" x 2"	A/BTA-200x200-FC64-*^	4.38 (111.25)	2"-11 1/2	OR*-3-928	BS*-3236	8.77 (3.98)	BTA-200x200-*^	3.95 (1.79)

◆ The seal for the 2" BSPP thread consists of a self-centering bonded seal.

Flange Option:

Standard, FC64 = SAE 6000 PSI Code 62 (ISO 6162-2) Clearance Flange.

FT64 = SAE 6000 PSI Code 62 (ISO 6162-2) UNC Threaded Flange.

FTM64 = SAE 6000 PSI Code 62 (ISO 6162-2) Metric Threaded Flange.

* Materials:

Standard, No Designation = All Carbon Steel, Clear Zinc Plated (Cr6 Free).

SS = Stainless Steel, Type 316. Body Only

SSA = Stainless Steel, Type 316. All Including Flange

^ O-Ring Type:

Standard, No Designation = Buna Nitrile.

V = Viton.

Ordering Example: A/BTA-200x150-FC64-SS-V

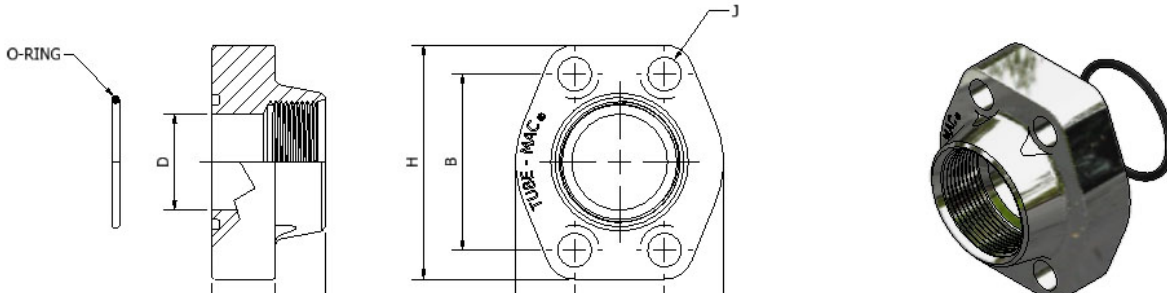


3D step models available upon request

SAE 6000 PSI SAE Female Thread Flange with O-Ring Face and Clearance Holes

SAE J518 Code 62 (ISO 6162-2)

DRAFT



STF064 - SAE Female Thread Flange - O-Ring Face with Clearance Holes with Buna O-Ring

Size	Flange Part Number	Dimensions (in)							SAE Thread UNF-2A	Drill Dia. (in) J	Bolt Minimum Grade 8	O-Ring (Buna) Part No.	WT lbs (kg)	Working Pressure PSI (bar)	Bolt Torque ft.lbs.
		A	B	D	E	L	G	H							
1/2"	STF064-050-*^-^	0.72	1.59	0.51	0.63	1.42	1.88	2.22	3/4"-16	0.35	5/16" UNC	OR*-2-210	0.57	6000 (420)	15-18
3/4"	STF064-075-*^-^	0.94	2.00	0.75	0.83	1.34	2.38	2.81	1-1/16"-12	0.43	3/8" UNC	OR*-2-214	1.10	6000 (420)	20-30
1"	STF064-100-*^-^	1.09	2.25	0.98	0.98	1.65	2.7	3.19	1-5/16"-12	0.51	7/16" UNC	OR*-2-219	1.68	6000 (420)	40-50
1-1/4"	STF064-125-*^-^	1.25	2.63	1.26	1.06	1.77	3.06	3.75	1-5/8"-12	0.53	1/2" UNC	OR*-2-222	2.65	6000 (420)	80-90
1-1/2"	STF064-150-*^-^	1.44	3.13	1.50	1.18	1.97	3.75	4.44	1-7/8"-12	0.67	5/8" UNC	OR*-2-225	3.64	6000 (420)	110-120

*** Materials:**

Standard, No Designation = All Carbon Steel, Clear Zinc Plated (Cr6 Free).
 SS = Stainless Steel, Type 316.

^ O-Ring Type:

Standard, No Designation = Buna Nitrile.
 V = Viton.

Ordering Example: SFT064-150-SS-V

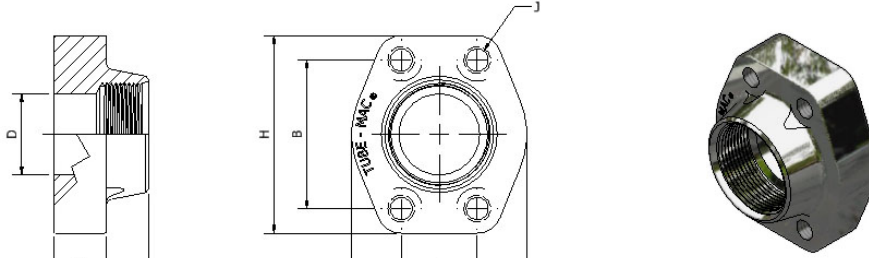
* Insert Material

^ Insert O-Ring Type

SAE 6000 PSI SAE Female Thread Flange with Flat Face and Threaded Holes

SAE J518 Code 62 (ISO 6162-2)

DRAFT



STFF64 - SAE Female Thread Flange Flat Face with Threaded Holes													
Size	Flange Part Number	Dimensions (in)							SAE Thread UNF-2A	Bolt Thread UNC-2B	WT lbs (kg)	Working Pressure PSI (bar)	Bolt Torque ft.lbs.
		A	B	D	E	L	G	H					
1/2"	STFF64-050-*^-^	0.72	1.59	0.51	0.63	1.42	1.88	2.22	3/4"-16	5/16"	0.57	6000 (420)	15-18
3/4"	STFF64-075-*^-^	0.94	2.00	0.75	0.83	1.34	2.38	2.81	1 1/16"-12	3/8"	1.10	6000 (420)	20-30
1"	STFF64-100-*^-^	1.09	2.25	0.98	0.98	1.65	2.75	3.19	1 5/16"-12	7/16"	1.68	6000 (420)	40-50
1-1/4"	STFF64-125-*^-^	1.25	2.63	1.26	1.06	1.77	3.06	3.75	1 5/8"-12	1/2"	2.65	6000 (420)	80-90
1-1/2"	STFF64-150-*^-^	1.44	3.13	1.50	1.18	1.97	3.75	4.44	1 7/8"-12	5/8"	3.64	6000 (420)	110-120

*** Materials:**

Standard, No Designation = All Carbon Steel, Clear Zinc Plated (Cr6 Free).
 SS = Stainless Steel, Type 316.

^ O-Ring 2 Type:

Standard, No Designation = Buna Nitrile.
 V = Viton.

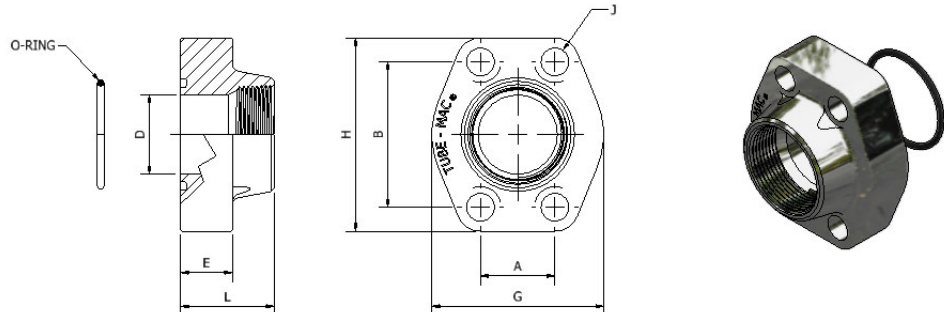
Ordering Example: STFF64-150-SS-V

* Insert Material _____
 ^ Insert O-Ring Type _____

SAE 6000 PSI NPT Female Thread Flange with O-Ring Face and Clearance Holes

SAE J518 Code 62 (ISO 6162-2)

DRAFT



NTF064 - NPT Female Thread Flange - O-Ring Face with Clearance Holes with Buna O-Ring

Size	Flange Part Number	Dimensions (in)							NPTF Thread	Drill Dia. (in) J	Bolt Minimum Grade 8	O-Ring (Buna) Part Number	WT lbs (kg)	Working Pressure PSI (bar)	Bolt Torque ft.lbs.
		A	B	D	E	L	G	H							
1/2"	NTF064-050-*^-^	0.72	1.59	0.51	0.63	1.42	1.88	2.22	1/2"-14	0.35	5/16"	OR*-2-210	0.57	6000 (420)	15-18
3/4"	NTF064-075-*^-^	0.94	2.00	0.75	0.83	1.34	2.38	2.81	3/4"-14	0.43	3/8"	OR*-2-214	1.10	6000 (420)	20-30
1"	NTF064-100-*^-^	1.09	2.25	0.98	0.98	1.65	2.75	3.19	1"-11-1/2	0.51	7/16"	OR*-2-219	1.68	6000 (420)	40-50
1-1/4"	NTF064-125-*^-^	1.25	2.63	1.26	1.06	1.77	3.06	3.75	1-1/4"-11-1/2	0.53	1/2"	OR*-2-222	2.65	6000 (420)	80-90
1-1/2"	NTF064-150-*^-^	1.44	3.13	1.50	1.18	1.97	3.75	4.44	1-1/2"-11-1/2	0.67	5/8"	OR*-2-225	3.64	6000 (420)	110-120
2"	NTF064-200-*^-^	1.75	3.81	2.01	1.46	2.56	4.50	5.25	2"-11-1/2	0.83	3/4"	OR*-2-228	5.40	6000 (420)	120-130

*** Materials:**

Standard, No Designation = All Carbon Steel, Clear Zinc Plated (Cr6 Free).

SS = Stainless Steel, Type 316.

^ O-Ring 2 Type:

Standard, No Designation = Buna Nitrile.

V = Viton.

Ordering Example: NTF064-200-SS-V

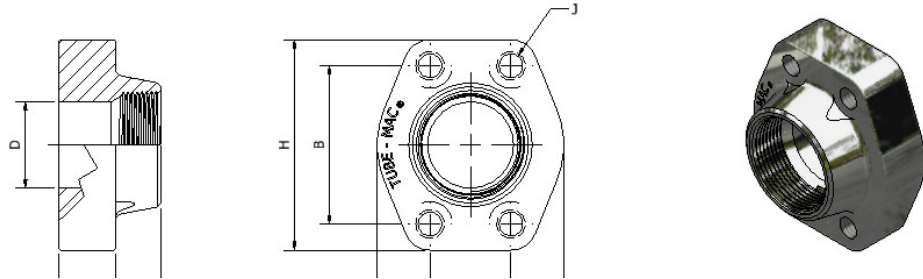
* Insert Material

^ Insert O-Ring Type

SAE 6000 PSI NPT Female Thread Flange with Flat Face and Threaded Holes

SAE J518 Code 62 (ISO 6162-2)

DRAFT



NTFF64 NPT Female Thread Flange - SAE Code 62 Flat Face with Threaded Holes

Size	Flange Part Number	Dimensions (in)							NPTF Thread	Bolt Thread UNC-2B	WT lbs (kg)	Working Pressure PSI (bar)	Bolt Torque ft.lbs.
		A	B	D	E	L	G	H					
1/2"	NTFF64-050-*^-^	0.72	1.59	0.51	0.63	1.42	1.88	2.22	1/2"-14	5/16"	0.57	6000 (420)	15-18
3/4"	NTFF64-075-*^-^	0.94	2.00	0.75	0.83	1.34	2.38	2.81	3/4"-14	3/8"	1.10	6000 (420)	20-30
1"	NTFF64-100-*^-^	1.09	2.25	0.98	0.98	1.65	2.75	3.19	1"-11 1/2	7/16"	1.68	6000 (420)	40-50
1-1/4"	NTFF64-125-*^-^	1.25	2.63	1.26	1.06	1.77	3.06	3.75	1-1/4"-11-1/2	1/2"	2.65	6000 (420)	80-90
1-1/2"	NTFF64-150-*^-^	1.44	3.13	1.50	1.18	1.97	3.75	4.44	1-1/2"-11-1/2	5/8"	3.64	6000 (420)	110-120
2"	NTFF64-200-*^-^	1.75	3.81	2.01	1.46	2.56	4.50	5.25	2"-11-1/2	3/4"	5.40	6000 (420)	120-130

*** Materials:**

Standard, No Designation = All Carbon Steel, Clear Zinc Plated (Cr6 Free).
 SS = Stainless Steel, Type 316.

^ O-Ring 2 Type:

Standard, No Designation = Buna Nitrile.
 V = Viton.

Ordering Example: NTFF64-200-SS-V

* Insert Material

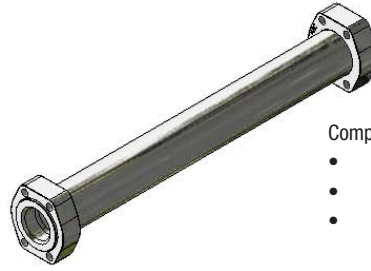
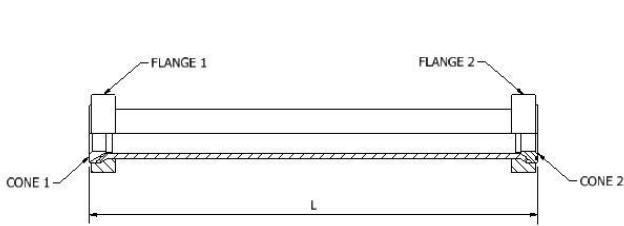
^ Insert O-Ring Type

3D step models available upon request

SAE 6000 PSI Flare Flange Pipe Assembly, NPS

SAE J518 Code 62 (ISO 6162-2)

Typical PAF Assembly



- Complete Flange Set Includes:
- One (1) length of clean pipe
 - Two (2) flare flanges
 - Two (2) cones

		Code	PAF	Pipe & Cone Material	Pipe Size & Schedule	Flange 1	Flange 2	Cone 1	Cone 2	Length	Options
Bent Pipe Assembly - Flared		PAF									
Pipe & Cone Material Carbon Steel	TMP52CD	52									
	TMP304SS	304									
Pipe & Cone Material Stainless Steel	TMP316SS	316									
	♦TMP2205SS	2205									
	1/2"	SCH40-050 SCH80-050									
Pipe Size	3/4"	SCH40-075 SCH80-075									
	1"	SCH40-100 SCH80-100									
	1-1/4"	SCH40-125 SCH80-125									
	1-1/2"	SCH40-150 SCH80-150									
		SCH160-150									
	2"	SCH40-200 SCH80-200									
		SCH160-200									
	Flange Type Carbon Steel	FFC64 SAE Code 62 W/Clearance Holes	FC64								
FFT64 SAE Code 62 W/TClearance Holes		FT64									
Cone Type	Cone - Flat Face	CF									
	Cone - 'O' Ring Face	CO									
Length	L2	Specify (in.)									
Options	Viton	V									
	Painted (Specify)	P									
	Complete Stainless Steel Assembly: (including flanges)	SS									

TMP2205SS PIPE IS ONLY AVAILABLE UPON REQUEST

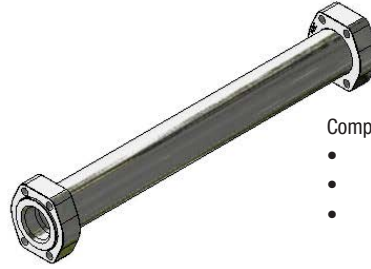
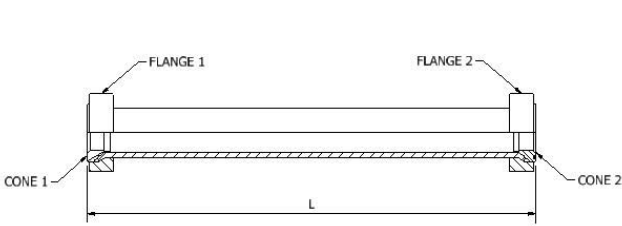
PART Number (EXAMPLE): PAF/52 - SCH80-100 - FC64 - FC64 - CO - CF - 240

ASSEMBLY WORKING PRESSURE RATINGS ARE SUBJECT TO THE LESSER OF THE FLANGE OR PIPE RATINGS

SAE 6000 PSI Flare Flange Pipe Assembly, Metric

SAE J518 Code 62 (ISO 6162-2)

Typical PAF Assembly



Complete Flange Set Includes:

- One (1) length of clean pipe
- Two (2) flare flanges
- Two (2) cones

		Code	PAF	Pipe & Cone Material	Pipe Size & Schedule	Flange 1	Flange 2	Cone 1	Cone 2	Length	Options
Bent Pipe Assembly - Flared		PAF									
Pipe & Cone Material Carbon Steel	TMP52CD	52									
	TMP37CD	37									
Pipe & Cone Material Stainless Steel	TMP304SS	304									
	TMP316SS	316									
	♦TMP2205SS	2205									
Pipe Size	1/2"	20x3.0-050									
		25x3.0-050									
	3/4"	30x3.0-075									
		30x4.0-075									
	1"	38x4.0-100									
		38x5.0-100									
	1-1/4"	42x4.0-125									
	42x5.0-125										
1-1/2"	50x3.0-150										
	50x5.0-150										
2"	60x5.0-200										
	60x6.0-200										
Flange Type Carbon Steel	FFCM34 SAE Code 62 W/Clearance Holes	FCM64									
	FTM64 SAE Code 62 W/Threaded Holes	FTM64									
Cone Type	Cone - Flat Face	CF									
	Cone - 'O' Ring Face	CO									
Length	L2	Specify (mm)									
Options	Viton	V									
	Painted (Specify)	P									
	Complete Stainless Steel Assembly: (including flanges)	SS									

♦TMP2205SS PIPE IS ONLY AVAILABLE UPON REQUEST

PART Number (EXAMPLE): PAF/52 - 38x4.0 - 100 - FCM64 - FCM64 - CO - CF - 6000

ASSEMBLY WORKING PRESSURE RATINGS ARE SUBJECT TO THE LESSER OF THE FLANGE OR PIPE RATINGS

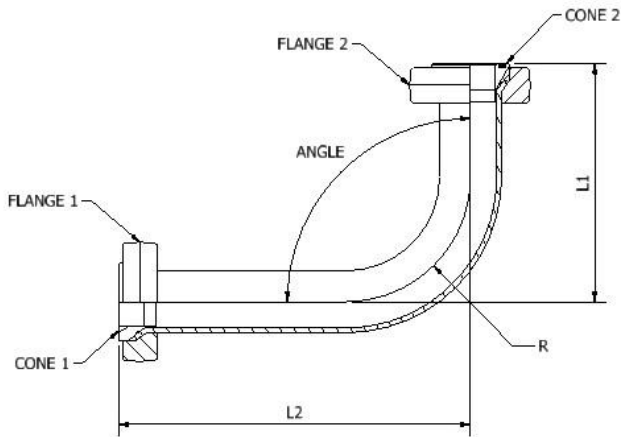
3D step models available upon request

SAE 6000 PSI Flare Flange Bent Pipe Assembly, NPS

Typical BPAF Assembly

Complete assembly consists of:

- One (1) length of bent clean pipe
- Two (2) flare flanges
- Two (2) cones



Size	R1		R2		R3	
	Dimensions (in)		Dimensions (in)		Dimensions (in)	
	L(min.)	R	L(min.)	R	L(min.)	R
1/2"	4.50	1.68	5.50	2.52	6.75	3.88
3/4"	5.00	2.10	6.00	3.15	7.00	4.25
1"	5.50	2.63	7.00	3.95	7.75	4.88
1-1/4"	6.38	3.32	8.00	4.98	8.63	5.63
1-1/2"	7.50	3.80	9.25	5.70	11.75	8.19
2"	8.50	4.75	10.75	7.13	13.00	9.44

Note: OTHER RADII AVAILABLE (CONSULT FACTORY)

SAE 6000 PSI Flare Flange Bent Pipe Assembly, NPS

		Code	BPAF	Pipe & Cone Material	Pipe Size & Schedule	Flange 1	Flange 2	Cone 1	Cone 2	Rad.	Lgth L1	Ang	Lgth L2	Options	
Bent Pipe Assembly - Flared		BPAF													
Pipe & Cone Material Carbon Steel	TMP52CD	52													
	Pipe & Cone Material Stainless Steel	TMP304SS	304												
	TMP316SS	316													
	♦TMP2205SS	2205													
Pipe Size & Schedule	1/2"	SCH40-050													
		SCH80-050													
	3/4"	SCH40-075													
		SCH80-075													
	1"	SCH40-100													
		SCH80-100													
	1-1/4"	SCH40-125													
		SCH80-125													
	1-1/2"	SCH40-150													
		SCH80-150													
SCH160-150															
2"	SCH40-200														
	SCH80-200														
	SCH160-200														
Flange Type Carbon Steel	FFC64 SAE Code 62 W/Clearance Holes	FC64													
	FFT64 SAE Code 62 W/Threaded Holes	FT64													
Cone Type	Cone - Flat Face	CF													
	Cone - 'O' Ring Face	CO													
Radius	Field Manufactured	R1													
	Factory Manufactured	R2													
Length	L1	Specify (in.)													
Angle	Max 90°	Specify (°)													
Length	L2	Specify (in.)													
Options	Viton	V													
	Painted (Specify)	P													
	Complete Stainless Steel Assembly: (including flanges)	SS													

♦TMP2205SS PIPE IS ONLY AVAILABLE UPON REQUEST

PART Number (EXAMPLE): BPAF/52-SCH80-100 -FC64-FC64-CO-CF-R1-125-90-115

ASSEMBLY WORKING PRESSURE RATINGS ARE SUBJECT TO THE LESSER OF THE FLANGE OR PIPE RATINGS

Consult factory for ordering assistance

3D step models available upon request

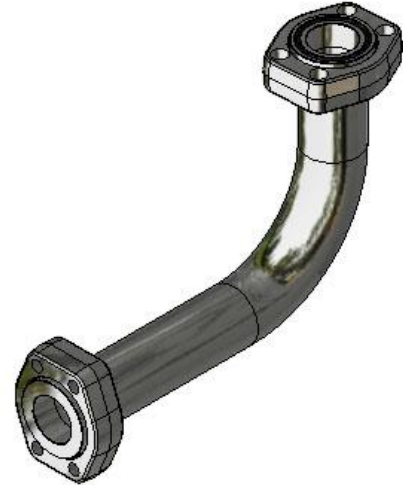
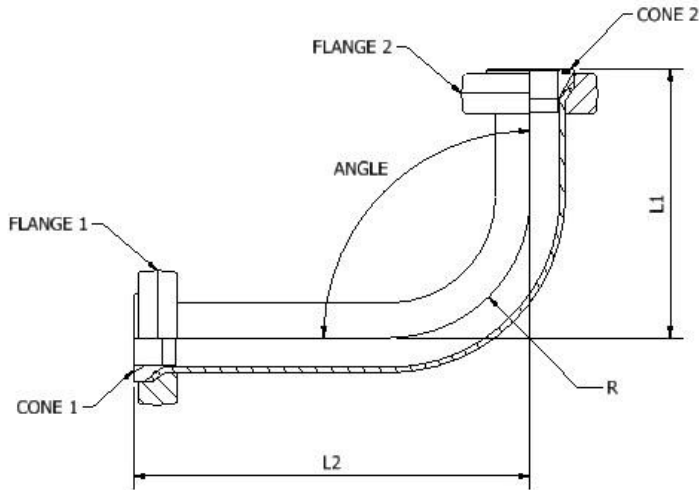
- Introduction
- Technical Data
- Pipe Selection Guide
- 16 bar, 90° Flare
- ANSI 150#, 300# Flare
- SAE 1000, 70 bar
- SAE 3000, 210 bar
- SAE 6000, 420 bar
- SAE 10000,
- ISO 6164, 400 bar
- Clamps
- Valves, Ball and Check
- Machines

SAE 6000 PSI Flare Flange Bent Pipe Assembly, Metric

Typical BPAF Assembly

Complete assembly consists of:

- One (1) length of bent clean pipe
- Two (2) flare flanges
- Two (2) cones



Size	R1		R2		R3	
	Dimensions (mm)		Dimensions (mm)		Dimensions (mm)	
	L(min.)	R	L(min.)	R	L(min.)	R
1/2"	126	50	151	75	176	100
3/4"	134	60	164	90	194	120
1"	153	76	191	114	229	152
1-1/4"	162	84	204	126	246	168
1-1/2"	194	100	244	150	294	200
2"	215	120	275	180	335	240

Note: OTHER RADII AVAILABLE (CONSULT FACTORY)

SAE 6000 PSI Flare Flange Bent Pipe Assembly, Metric

Code		BPAF	Pipe & Cone Material	Pipe Size & Schedule	Flange 1	Flange 2	Cone 1	Cone 2	Rad.	Lgth L1	Ang	Lgth L2	Options	
Bent Pipe Assembly - Flared		BPAF												
Pipe & Cone Material Carbon Steel	TMP52CD	52												
	TMP37CD	37												
Pipe & Cone Material Stainless Steel	TMP304SS	304												
	TMP316SS	316												
	♦TMP2205SS	2205												
Pipe Size	1/2"	20x3.0-050												
		25x3.0-050												
	3/4"	25x3.0-075												
		30x3.0-075												
	1"	30x4.0-100												
		38x4.0-100												
	1-1/4"	38x4.0-125												
		42x4.0-125												
	1-1/2"	50x5.0-150												
		50x6.0-150												
		56x8.5-150												
	2"	60x5.0-200												
60x6.0-200														
60x8.0-200														
	66x8.5-200													
Flange Type Carbon Steel	FFCM64 SAE Code 62 W/Clearance Holes	FCM64												
	FFTM64 SAE Code 62 W/Threaded Holes	FTM64												
Cone Type	Cone - Flat Face	CF												
	Cone - 'O' Ring Face	CO												
Radius	Field Manufactured	R1												
	Factory Manufactured	R2												
Length	L1	Specify (mm)												
Angle	Max 90°	Specify (°)												
Length	L2	Specify (mm)												
Options	Viton	V												
	Painted (Specify)	P												
	Complete Stainless Steel Assembly: (including flanges)	SS												

♦TMP2205SS PIPE IS ONLY AVAILABLE UPON REQUEST

PART Number (EXAMPLE): BPAF/52-38x4.0-100-FCM64-FCM64-CO-CF-R1-3000-90-2500

ASSEMBLY WORKING PRESSURE RATINGS ARE SUBJECT TO THE LESSER OF THE FLANGE OR PIPE RATINGS

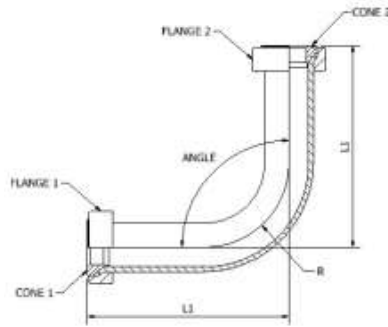
Consult factory for ordering assistance

3D step models available upon request

- Introduction
- Technical Data
- Pipe Selection Guide
- 16 bar, 90° Flare
- ANSI 150#, 300# Flare
- SAE 1000, 70 bar
- SAE 3000, 210 bar
- SAE 6000, 420 bar
- SAE 10000,
- ISO 6164, 400 bar
- Clamps
- Valves, Ball and Check
- Machines

SAE 6000 PSI Flare Flange Bend Elbow Complete Assembly, NPS

SAE J518 Code 61 (ISO 6162-2)



A/FFE - Flare Flange Bend Elbow – Complete Assembly, NPS

Size	Complete Assembly Part Number	R1 Bend Radius (in)		R2 Bend Radius (in)		R3 Bend Radius (in)	
		R	L1	R	L1	R	L1
1/2"	A/FFE-SCH40-050-FC64-FC64-CO-CO-•-*-^	1.68	4.5	2.52	5.5	3.875	6.75
1/2"	A/FFE-SCH80-050-FC64-FC64-CO-CO-•-*-^	1.68	4.5	2.52	5.5	3.875	6.75
3/4"	A/FFE-SCH40-075-FC64-FC64-CO-CO-•-*-^	2.1	5.0	3.15	6.0	4.25	7.0
3/4"	A/FFE-SCH80-075-FC64-FC64-CO-CO-•-*-^	2.1	5.0	3.15	6.0	4.25	7.0
1"	A/FFE-SCH40-100-FC64-FC64-CO-CO-•-*-^	2.63	5.5	3.95	7.0	4.875	7.75
1"	A/FFE-SCH80-100-FC64-FC64-CO-CO-•-*-^	2.63	5.5	3.95	7.0	4.875	7.75
1-1/4"	A/FFE-SCH40-125-FC64-FC64-CO-CO-•-*-^	3.32	6.375	4.98	8.0	5.625	8.625
1-1/4"	A/FFE-SCH80-125-FC64-FC64-CO-CO-•-*-^	3.32	6.375	4.98	8.0	5.625	8.625
1-1/2"	A/FFE-SCH40-150-FC64-FC64-CO-CO-•-*-^	3.8	7.5	5.7	9.25	8.1875	11.75
1-1/2"	A/FFE-SCH80-150-FC64-FC64-CO-CO-•-*-^	3.8	7.5	5.7	9.25	8.1875	11.75
1-1/2"	A/FFE-SCH160-150-FC64-F634-CO-CO-•-*-^	3.8	7.5	5.7	9.25	8.1875	11.75
2"	A/FFE-SCH40-200-FC64-FC64-CO-CO-•-*-^	4.75	8.5	7.125	10.75	9 7/16	13
2"	A/FFE-SCH80-200-FC64-FC64-CO-CO-•-*-^	4.75	8.5	7.125	10.75	9 7/16	13
2"	A/FFE-SCH160-200-FC64-FC64-CO-CO-•-*-^	4.75	8.5	7.125	10.75	9 7/16	13

Assembly working pressure ratings are subject to the lesser of the flange or pipe ratings.

Flange Options:

FC64 = SAE 6000 PSI Code 62 (ISO 6162-2) Clearance Flange.

FT64 = SAE 6000 PSI Code 62 (ISO 6162-2) UNC Threaded Flange.

Cone Options:

CO = O-Ring Faced Cone.

CF = Flat Faced Cone.

•Bend Radius Options (Other radii available, consult factory):

R1

R2

R3

* Materials:

Standard, No Designation = All Carbon Steel, Clear Zinc Plated (Cr6 Free).

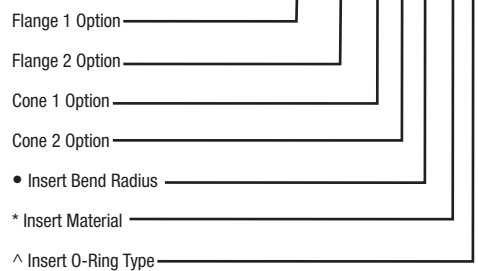
SS = All Stainless Steel, Type 316.

^ O-Ring Type:

Standard, No Designation = Buna Nitrile.

V = Viton.

Ordering Example: A/FFE-SCH40-200-FC64-FC64-CO-CO-R1-SS-V

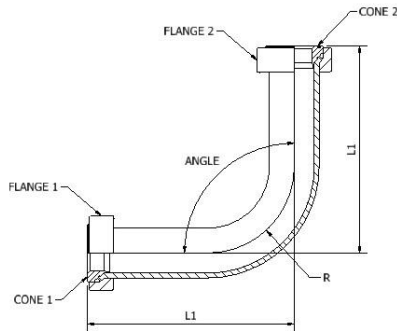


3D step models available upon request

SAE 6000 PSI Flare Flange Bend Elbow

Complete Assembly, Metric

SAE J518 Code 62 (ISO 6162-2)



- COMPLETE ASSEMBLY CONSISTS OF:
- FLARE FLANGE 90° ELBOW BODY
 - TWO (2) FLARE FLANGES
 - TWO (2) CONES

A/FFEM - Flare Flange Bend Elbow Complete Assembly, Metric

Size	Complete Assembly Part Number	R1 Bend Radius (mm)		R2 Bend Radius (mm)		R3 Bend Radius (mm)	
		R	L1	R	L1	R	L1
1/2"	A/FFEM-20x3.0-050-FCM64-FCM64-CO-CO--*-^	40	116	60	136	80	156
1/2"	A/FFEM-25x3.0-050-FCM64-FCM64-CO-CO--*-^	50	126	75	151	100	176
3/4"	A/FFEM-30x3.0-075-FCM64-FCM64-CO-CO--*-^	50	134	90	149	120	194
3/4"	A/FFEM-30x4.0-075-FCM64-FCM64-CO-CO--*-^	60	134	90	164	120	194
1"	A/FFEM-38x4.0-100-FCM64-FCM64-CO-CO--*-^	76	153	114	167	152	229
1"	A/FFEM-38x5.0-100-FCM64-FCM64-CO-CO--*-^	76	153	114	191	152	229
1-1/4"	A/FFEM-42x4.0-125-FCM64-FCM64-CO-CO--*-^	84	162	126	192	168	246
1-1/4"	A/FFEM-42x5.0-125-FCM64-FCM64-CO-CO--*-^	84	162	126	204	168	246
1-1/2"	A/FFEM-50x5.0-150-FCM64-FCM64-CO-CO--*-^	100	194	150	220	200	294
1-1/2"	A/FFEM-50x6.0-150-FCM64-FCM64-CO-CO--*-^	100	194	150	244	200	294
1-1/2"	A/FFEM-56x8.5-150-FCM64-FCM64-CO-CO--*-^	100	194	150	244	200	294
2"	A/FFEM-60x5.0-200-FCM64-FCM64-CO-CO--*-^	120	215	180	245	240	335
2"	A/FFEM-60x6.0-200-FCM64-FCM64-CO-CO--*-^	120	215	180	275	240	335
2"	A/FFEM-66x8.5-200-FCM64-FCM64-CO-CO--*-^	120	215	180	275	240	335

Flange Options:

FCM64 = SAE 6000 PSI Code 62 (ISO 6162-2) Clearance Flange.
FTM64 = SAE 6000 PSI Code 62 (ISO 6162-2) Metric Threaded Flange.

Cone Options:

CO = O-Ring Faced Cone.
CF = Flat Faced Cone.

•Bend Radius Options (Other radii available, consult factory):

R1
R2
R3

* Materials:

Standard, No Designation = All Carbon Steel, Clear Zinc Plated (Cr6 Free).

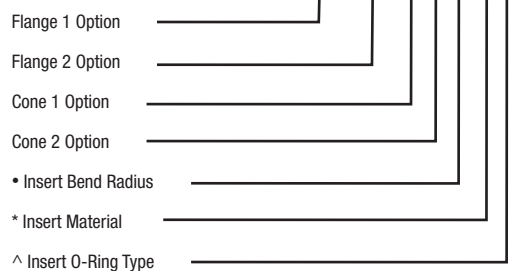
SS = Stainless Steel, Type 316.

^ O-Ring Type:

Standard, No Designation = Buna Nitrile.

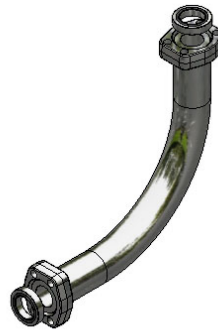
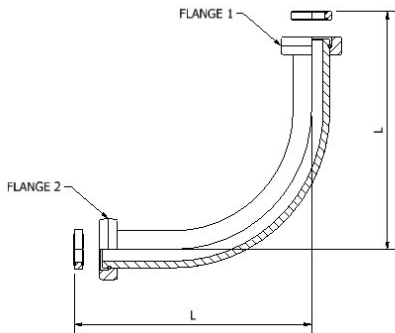
V = Viton.

Ordering Example: A/FFEM-60x5.0-200-FCM64-FCM64-CO-CO-R1-SS-V



SAE 6000 PSI Retain Ring Flange Bend Elbow Complete Assembly

SAE J518 Code 62 (ISO 6162-2)



Complete Flange Set Includes:

- One (1) Retain Ring Flange Bend Elbow Body
- Two (2) Retain Ring Flanges
- Two (2) Retain Rings
- Two (2) O-Ring Spacers

A/RFE - Retain Ring Flange Bend Elbow – Complete Assembly

Size	Complete Assembly Part Number	Dimensions in (mm)	Assembly WT lbs (kg)	Body Only Part Number	Body Only WT lbs (kg)	Working Pressure PSI (bar)
		L				
1-1/2"	A/RFE-150-FC64-*~^	13.00 (330.20)	14.98 (6.80)	RFE-150-*~^	11.50 (5.22)	6000 (420)
2"	A/RFE-200-FC64-*~^	14.50 (368.30)	20.47 (9.30)	RFE-200-*~^	15.59 (7.07)	6000 (420)

Flange Option:

Standard, FC64 = SAE 6000 PSI Code 61 (ISO 6162-2) Clearance Flange.

FT64 = SAE 6000 PSI Code 62 (ISO 6162-2) UNC Threaded Flange.

FTM64 = SAE 6000 PSI Code 62 (ISO 6162-2) Metric Threaded Flange.

* Materials:

Standard, No Designation = All Carbon Steel, Clear Zinc Plated (Cr6 Free).

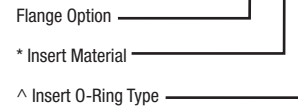
SS = Stainless Steel, Type 316.

^ O-Ring Type:

Standard, No Designation = Buna Nitrile.

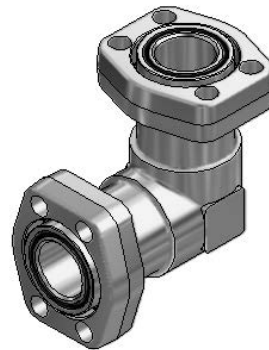
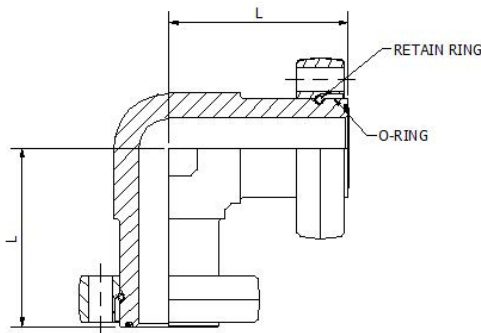
V = Viton.

Ordering Example: A/RFE-200-FC64-SS-V



SAE 6000 PSI Retain Ring Flange Elbow Complete Assembly

SAE J518 Code 62 (ISO 6162-2)



Complete Flange Set Includes:

- One (1) Flange Elbow
- Two (2) Retain Ring Flanges
- Two (2) Retain Rings
- Two (2) Face O-Rings

To be Ordered Separately:

- Bolt Kit
- See page H25

A/RRFE - Retain Ring Flange Elbow – Complete Assembly with Buna O-Ring

Size	Complete Assembly Part Number	Dimensions in (mm)	O-Ring (Buna) Part Number	Assembly WT lbs (kg)	Body Only Part Number	Body Only WT lbs (kg)	Working Pressure PSI (bar)
		L					
1/2"	A/RRFE-050-FC64-*^-^	2.40 (61.0)	OR^-3-909	2.02 (0.92)	RRFE-050-*^-^	1.10 (0.50)	6000 (420)
3/4"	A/RRFE-075-FC64-*^-^	2.61 (66.2)	OR^-3-913	3.68 (1.67)	RRFE-075-*^-^	1.94 (0.88)	6000 (420)
1"	A/RRFE-100-FC64-*^-^	2.81 (71.4)	OR^-3-916	4.73 (2.15)	RRFE-100-*^-^	2.26 (1.03)	6000 (420)
1-1/4"	A/RRFE-125-FC64-*^-^	3.22 (81.8)	OR^-3-918	7.26 (3.29)	RRFE-125-*^-^	3.29 (1.49)	6000 (420)
1-1/2"	A/RRFE-150-FC64-*^-^	4.01 (101.9)	OR^-3-924	12.18 (5.52)	RRFE-150-*^-^	6.08 (2.76)	6000 (420)
2"	A/RRFE-200-FC64-*^-^	4.40 (111.8)	OR^-3-928	18.74 (8.5)	RRFE-200-*^-^	7.62 (3.46)	6000 (420)

Flange Option:

Standard, FC64 = SAE 6000 PSI Code 62 (ISO 6162-2) Clearance Flange.

FT64 = SAE 6000 PSI Code 62 (ISO 6162-2) UNC Threaded Flange.

FTM64 = SAE 6000 PSI Code 62 (ISO 6162-2) Metric Threaded Flange.

* Materials:

Standard, No Designation = All Carbon Steel, Clear Zinc Plated (Cr6 Free).

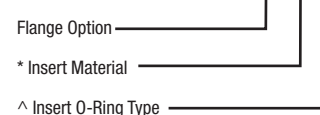
SS = Stainless Steel, Type 316.

^ O-Ring Type:

Standard, No Designation = Buna Nitrile.

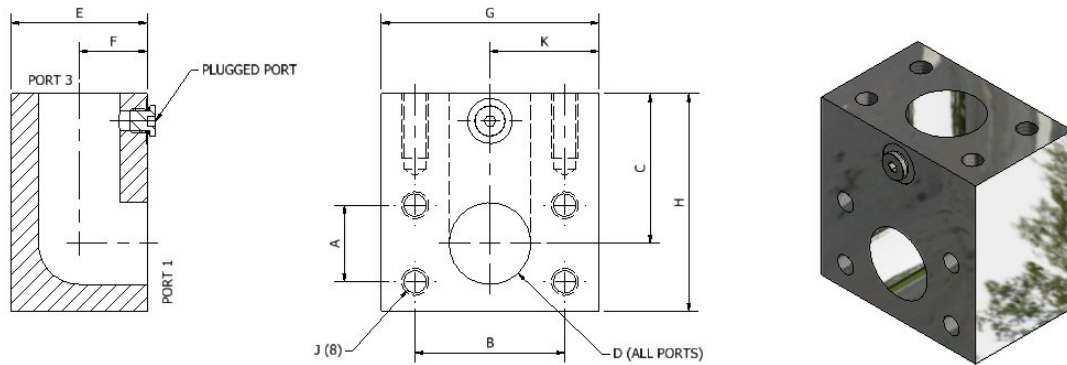
V = Viton.

Ordering Example: A/RRFE-200-FC64-SS-V



SAE 6000 PSI Block Elbow

SAE J518 Code 62 (ISO 6162-2) Flange Style



BE64 - Block Elbow Flat Face with Threaded Holes Complete with #4 SAE Port (Plugged), NPS

Size	Block Elbow Part Number	Dimensions (in)									Thread UNC-2B	WT lbs (kg)	Working Pressure PSI (bar)
		A	B	C	D	E	F	G	H	K			
1/2"	BE64-050-*	0.72	1.59	1.88	0.50	2.00	1.00	2.50	2.50	1.25	5/16"-18	3.10	6000 (420)
3/4"	BE64-075-*	0.94	2.00	2.25	0.75	2.00	1.00	3.00	3.25	1.50	3/8"-16	4.74	6000 (420)
1"	BE64-100-*	1.09	2.25	2.50	0.94	2.25	1.13	3.00	4.00	1.50	7/16"-14	6.42	6000 (420)
1-1/4"	BE64-125-*	1.25	2.63	2.75	1.25	2.50	1.25	4.00	4.00	2.00	1/2"-13	9.18	6000 (420)
1-1/2"	BE64-150-*	1.44	3.13	3.00	1.50	3.00	1.50	4.00	4.50	2.00	5/8"-11	11.66	6000 (420)
2"	BE64-200-*	1.75	3.81	3.38	1.94	3.00	1.50	5.00	5.00	2.50	3/4"-10	14.97	6000 (420)

BEM64 - Block Elbow Flat Face with Threaded Holes Complete with G1/8 Port (Plugged), Metric

Size	Block Elbow Part Number	Dimensions (mm)									Thread	WT lbs (kg)	Working Pressure PSI (bar)
		A	B	C	D	E	F	G	H	K			
1/2"	BEM64-050-*	18.3	40.4	47.8	12.7	50.8	25.4	63.5	63.5	31.8	M8 x 1.25	1.41	6000 (420)
3/4"	BEM64-075-*	23.9	50.8	57.2	19.1	50.8	25.4	76.2	82.6	38.1	M10 x 1.50	2.15	6000 (420)
1"	BEM64-100-*	27.7	57.2	63.5	23.9	57.2	28.7	76.2	101.6	38.1	M12 x 1.75	2.92	6000 (420)
1-1/4"	BEM64-125-*	31.8	66.8	69.9	31.8	63.5	31.8	101.6	101.6	50.8	M12 x 1.75	4.17	6000 (420)
1-1/4" ⁽²⁾	BEM64-125-M14-*	31.8	66.8	69.9	31.8	63.5	31.8	101.6	101.6	50.8	M14 x 2.00	4.17	6000 (420)
1-1/2"	BEM64-150-*	36.6	79.5	76.2	38.1	76.2	38.1	101.6	114.3	50.8	M16 x 2.00	5.30	6000 (420)
2"	BEM64-200-*	44.5	96.8	85.9	49.3	76.2	38.1	127.0	127.0	63.5	M20 x 2.50	6.80	6000 (420)

Materials:

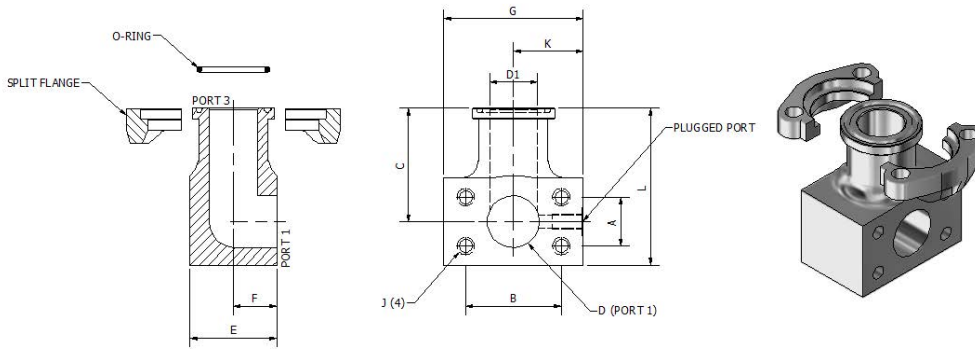
Standard, No Designation = All Carbon Steel, Clear Zinc Plated (Cr6 Free).
 SS = Stainless Steel, Type 316.

Ordering Example: BE64-200-SS

* Insert Material

SAE 6000 PSI Split Flange Elbow

SAE J518 Code 62 (ISO 6162-2) Flange Style



Complete Flange Set Includes:

- One (1) Split Flange Elbow
- One (1) Set (2 Halves) Split Flange
- One (1) O-Ring
- One (1) Component Bolt Kit

A/SFE64 - Split Flange Elbow Assembly Flat Face with Threaded Holes Complete with Buna O-Rings and #4 SAE Port (Plugged), NPS

Size	Complete Assembly Part Number	Dimensions (in)										Thread UNC-2B	O-Ring (Buna) Part Number	Assembly WT lbs (kg)	Body Only Part Number	Body Only WT lbs (kg)	Working Pressure PSI (bar)
		A	B	C	D	D1	E	F	G	K	L						
1/2"	A/SFE64-050-*^	0.72	1.59	2.75	0.50	0.38	2.00	1.00	2.50	1.25	3.75	5/16"-18	OR*-2-210	3.46 (1.57)	SFE64-050-*	2.91 (1.32)	6000 (420)
3/4"	A/SFE64-075-*^	0.94	2.00	3.00	0.75	0.63	2.00	1.00	3.00	1.50	4.00	3/8"-16	OR*-2-214	4.46 (2.02)	SFE64-075-*	3.53 (1.60)	6000 (420)
1"	A/SFE64-100-*^	1.09	2.25	3.38	0.94	0.88	2.25	1.13	3.00	1.50	4.50	7/16"-14	OR*-2-219	5.86(2.66)	SFE64-100-*	4.40 (2.00)	6000 (420)
1-1/4"	A/SFE64-125-*^	1.25	2.63	3.50	1.25	1.13	2.50	1.25	4.00	2.00	4.75	1/2"-13	OR*-2-222	8.78 (3.98)	SFE64-125-*	6.52 (2.96)	6000 (420)
1-1/2"	A/SFE64-150-*^	1.44	3.13	4.25	1.50	1.38	3.00	1.50	4.00	2.00	5.75	5/8"-11	OR*-2-225	13.31 (6.04)	SFE64-150-*	9.40 (4.26)	6000 (420)
2"	A/SFE64-200-*^	1.75	3.81	4.75	1.94	1.88	3.00	1.50	5.00	2.50	6.25	3/4"-10	OR*-2-228	18.26 (8.28)	SFE64-200-*	11.78 (5.34)	6000 (420)

A/SFEM64 - Split Flange Elbow Assembly Flat Face with Threaded Holes Complete with Buna O-Rings and G1/8 Port (Plugged), Metric

Size	Complete Assembly Part Number	Dimensions (mm)										Thread	O-Ring (Buna) Part Number	Assembly WT lbs (kg)	Body Only Part Number	Body Only WT lbs (kg)	Working Pressure PSI (bar)
		A	B	C	D	D1	E	F	G	K	L						
1/2"	A/SFEM64-050-*^	18.3	38.1	69.9	12.7	9.7	50.8	25.4	63.5	31.8	95.3	M8 x 1.25	OR*-2-210	3.46 (1.57)	SFEM64-050-*	2.91 (1.32)	6000 (420)
3/4"	A/SFEM64-075-*^	23.9	50.8	76.2	19.1	16.0	50.8	25.4	76.2	38.1	101.6	M10 x 1.50	OR*-2-214	4.48 (2.03)	SFEM64-075-*	3.53 (1.60)	6000 (420)
1"	A/SFEM64-100-*^	27.7	57.2	85.9	23.9	22.4	57.2	28.7	76.2	38.1	114.3	M12 x 1.75	OR*-2-219	5.86 (2.66)	SFEM64-100-*	4.41 (2.00)	6000 (420)
1-1/4"	A/SFEM64-125-*^	31.8	66.8	88.9	31.8	28.7	63.5	31.8	101.6	50.8	120.7	M12 x 1.75	OR*-2-222	8.80 (3.99)	SFEM64-125-*	6.53 (2.96)	6000 (420)
1-1/4" ⁽²⁾	A/SFEM64-125-M14-*^	31.8	66.8	88.9	31.8	28.7	63.5	31.8	101.6	50.8	120.7	M14 x 2.00	OR*-2-222	8.80 (3.99)	SFEM64-125-M14-*	6.53 (2.96)	6000 (420)
1-1/2"	A/SFEM64-150-*^	36.6	79.5	108.0	38.1	34.9	76.2	38.1	101.6	50.8	146.1	M16 x 2.00	OR*-2-225	13.34 (6.05)	SFEM64-150-*	9.41(4.27)	6000 (420)
2"	A/SFEM64-200-*^	44.5	96.8	120.7	49.3	47.8	88.9	44.5	127.0	63.5	158.8	M20 x 2.50	OR*-2-228	18.30 (8.30)	SFEM64-200-*	11.79 (5.35)	6000 (420)

*** Materials:**

Standard, No Designation = All Carbon Steel, Clear Zinc Plated (Cr6 Free).
 SS = Stainless Steel, Type 316.

^ O-Ring Type:

Standard, No Designation = Buna Nitrile.
 V = Viton.

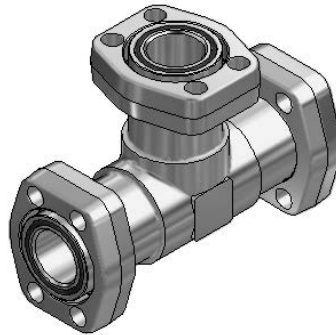
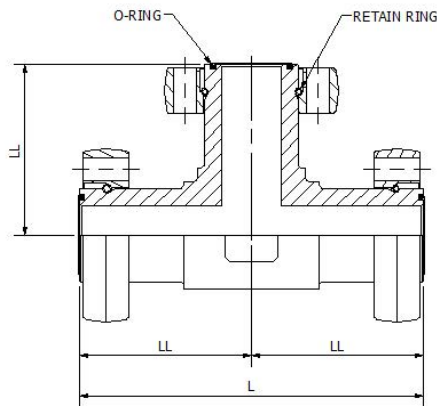
Ordering Example: A/SFE64-200-SS-V

* Insert Material _____
 ^ Insert O-Ring Type _____

3D step models available upon request

SAE 6000 PSI Flange Tee Complete Assembly

SAE J518 Code 62 (ISO 6162-2)



Complete Flange Set Includes:

- One (1) Flange Tee
- Three (3) Retain Ring Flanges
- Three (3) Retain Rings
- Three (3) Face O-Rings

To be Ordered Separately:

- Bolt Kit
- See page H25

A/RRFT - Flange Tee Complete Assembly Complete with Buna O-Ring

Size	Complete Assembly Part Number	Dimensions in (mm)		O-Ring (Buna) Part Number	Assembly WT lbs (kg)	Body Only Part Number	Body Only WT lbs (kg)	Working Pressure PSI (bar)
		L	LL					
1/2"	A/RRFT-050-FC64-*^-^	4.81 (122.2)	2.41 (112.01)	OR^-3-909	3.02 (1.37)	RRFT-050-*^-^	1.46 (0.66)	6000 (420)
3/4"	A/RRFT-075-FC64-*^-^	5.22 (132.6)	2.61 (66.30)	OR^-3-913	5.85 (2.65)	RRFT-075-*^-^	2.61 (1.18)	6000 (420)
1"	A/RRFT-100-FC64-*^-^	5.62 (142.7)	2.81 (71.4)	OR^-3-916	6.96 (3.16)	RRFT-100-*^-^	2.91 (1.32)	6000 (420)
1 1/4"	A/RRFT-125-FC64-*^-^	6.45 (163.8)	3.22 (81.8)	OR^-3-918	11.55 (5.24)	RRFT-125-*^-^	4.89 (2.22)	6000 (420)
1 1/2"	A/RRFT-150-FC64-*^-^	8.02 (203.7)	4.01 (101.9)	OR^-3-924	18.30 (8.30)	RRFT-150-*^-^	8.10 (3.67)	6000 (420)
2"	A/RRFT-200-FC64-*^-^	8.81 (223.8)	4.40 (111.8)	OR^-3-928	27.30 (12.38)	RRFT-200-*^-^	9.90 (4.49)	6000 (420)

Flange Option:

Standard, FC64 = SAE 6000 PSI Code 62 (ISO 6162-2) Clearance Flange.

FT64 = SAE 6000 PSI Code 62 (ISO 6162-2) UNC Threaded Flange.

FTM64 = SAE 6000 PSI Code 62 (ISO 6162-2) Metric Threaded Flange.

* Materials:

Standard, No Designation = All Carbon Steel, Clear Zinc Plated (Cr6 Free).

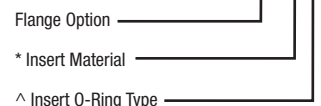
SS = Stainless Steel, Type 316.

^ O-Ring Type:

Standard, No Designation = Buna Nitrile.

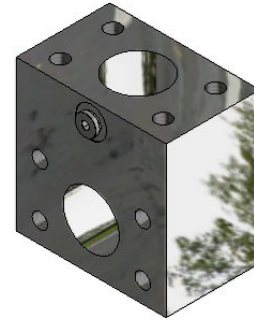
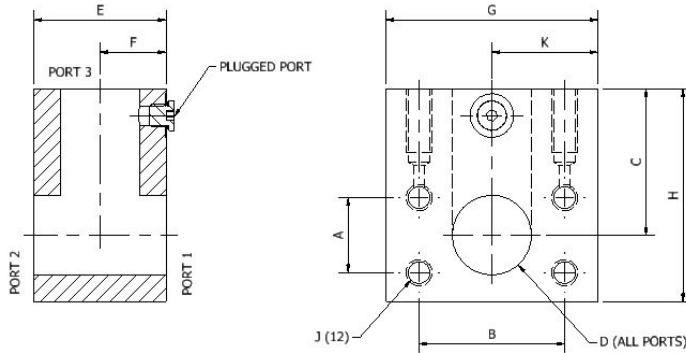
V = Viton.

Ordering Example: A/RRFT-200-FC64-SS-V



SAE 6000 PSI Block Tee

SAE J518 Code 62 (ISO 6162-2) Flange Style



BT64 - Block Tee Flat Face with Threaded Holes Complete with #4 SAE Port (Plugged), NPS

Size	Block Tee Part No	Dimensions (in)									Thread UNC-2B	WT lbs (kg)	Working Pressure PSI (bar)
		A	B	C	D	E	F	G	H	K			
1/2"	BT64-050-*	0.72	1.59	1.88	0.50	2.00	1.00	2.50	2.50	1.25	5/16"-18	3.05 (1.38)	6000 (420)
3/4"	BT64-075-*	0.94	2.00	2.25	0.75	2.00	1.00	3.00	3.25	1.50	3/8"-16	4.66 (2.11)	6000 (420)
1"	BT64-100-*	1.09	2.25	2.50	0.94	2.25	1.13	3.00	4.00	1.50	7/16"-14	6.20 (2.81)	6000 (420)
1-1/4"	BT64-125-*	1.25	2.63	2.75	1.25	2.50	1.25	4.00	4.00	2.00	1/2"-13	8.86 (4.02)	6000 (420)
1-1/2"	BT64-150-*	1.44	3.13	3.00	1.50	3.00	1.50	4.00	4.50	2.00	5/8"-11	11.04 (5.01)	6000 (420)
2"	BT64-200-*	1.75	3.81	3.38	1.94	3.00	1.50	5.00	5.00	2.50	3/4"-10	14.41 (6.54)	6000 (420)

BTM64 - Block Tee Flat Face with Threaded Holes Complete with G1/8 Port (Plugged), Metric

Size (inch)	Block Tee Part No	Dimensions (mm)									Thread	WT lbs (kg)	Working Pressure PSI (bar)
		A	B	C	D	E	F	G	H	K			
1/2"	BTM64-050-*	18.3	40.4	47.8	12.7	50.8	25.4	63.5	63.5	31.8	M8 X 1.25	3.07 (1.39)	6000 (420)
3/4"	BTM64-075-*	23.9	50.8	57.2	19.1	50.8	25.4	76.2	82.6	38.1	M10 X 1.50	4.67 (2.12)	6000 (420)
1"	BTM64-100-*	27.7	57.2	63.5	23.9	57.2	28.7	76.2	101.6	38.1	M12 X 1.75	6.22 (2.82)	6000 (420)
1-1/4"	BTM64-125-*	31.8	66.8	69.9	31.8	63.5	31.8	101.6	101.6	50.8	M12 X 1.75	8.88 (4.03)	6000 (420)
1-1/4" ⁽²⁾	BTM64-125-M14-*	31.8	66.8	69.9	31.8	63.5	31.8	101.6	101.6	50.8	M14 x 2.00	8.88 (4.03)	6000 (420)
1-1/2"	BTM64-150-*	36.6	79.5	76.2	38.1	76.2	38.1	101.6	114.3	50.8	M16 X 2.00	11.07 (5.02)	6000 (420)
2"	BTM64-200-*	44.5	96.8	85.9	49.3	76.2	38.1	127.0	127.0	63.5	M20 X 2.50	14.44(6.55)	6000 (420)

*** Materials:**

Standard, No Designation = All Carbon Steel, Clear Zinc Plated (Cr6 Free).

SS = Stainless Steel, Type 316.

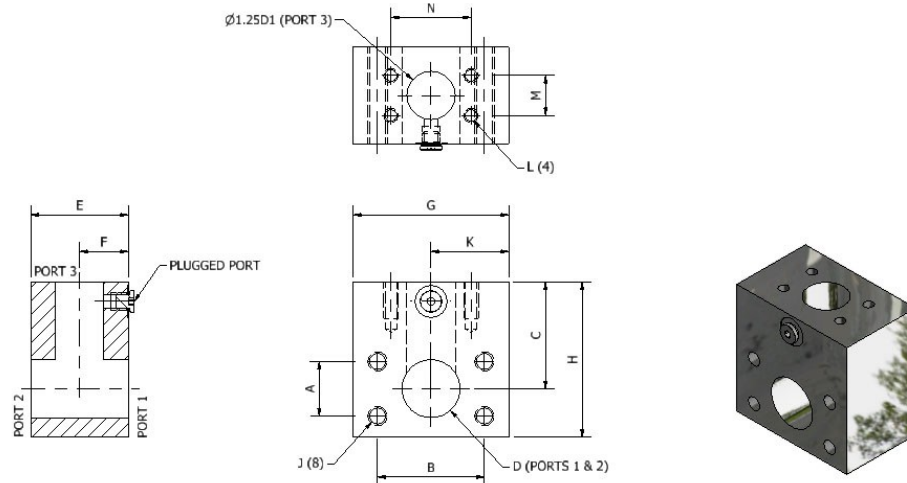
Ordering Example: BT64-200-SS

* Insert Material

3D step models available upon request

SAE 6000 PSI Reducing Branch Block Tee - NPS

SAE J518 Code 62 (ISO 6162-2) Flange Style



BTR64 - Reducing Branch Block Tee Flat Face with Threaded Holes Complete with #4 SAE Port (Plugged), NPS

Size (run x branch)	Tee Part Number	Dimensions (in)												Thread 1 UNC-2B	Thread 2 UNC-2B	WT lbs (kg)	Working Pressure PSI (bar)
		A	B	C	D	D1	E	F	G	H	K	M	N				
3/4"x1/2"	BTR64-075x050-*	0.94	2.00	2.25	0.75	0.50	2.00	1.00	3.00	3.25	1.50	0.72	1.59	3/8"-16	5/16"-18	5.20 (2.36)	6000 (420)
1"x1/2"	BTR64-100x050-*	1.09	2.25	2.50	0.94	0.50	2.25	1.13	3.00	4.00	1.50	0.72	1.59	7/16"-14	5/16"-18	5.20 (2.36)	6000 (420)
1"x3/4"	BTR64-100x075-*	1.09	2.25	2.50	0.94	0.75	2.25	1.13	3.00	4.00	1.50	0.94	2.00	7/16"-14	3/8"-16	5.20 (2.36)	6000 (420)
1-1/4"x1/2"	BTR64-125x050-*	1.25	2.63	2.75	1.25	0.50	2.50	1.25	4.00	4.00	2.00	0.72	1.59	1/2"-13	5/16"-18	10.00 (4.54)	6000 (420)
1-1/4"x3/4"	BTR64-125x075-*	1.25	2.63	2.75	1.25	0.75	2.50	1.25	4.00	4.00	2.00	0.94	2.00	1/2"-13	3/8"-16	10.00 (4.54)	6000 (420)
1-1/4"x1"	BTR64-125x100-*	1.25	2.63	2.75	1.25	0.94	2.50	1.25	4.00	4.00	2.00	1.09	2.25	1/2"-13	7/16"-14	10.00 (4.54)	6000 (420)
1-1/2"x1/2"	BTR64-150x050-*	1.44	3.13	3.00	1.50	0.50	3.00	1.50	4.00	4.50	2.00	0.72	1.59	5/8"-11	5/16"-18	11.30 (5.13)	6000 (420)
1-1/2"x3/4"	BTR64-150x075-*	1.44	3.13	3.00	1.50	0.75	3.00	1.50	4.00	4.50	2.00	0.94	2.00	5/8"-11	3/8"-16	11.30 (5.13)	6000 (420)
1-1/2"x1"	BTR64-150x100-*	1.44	3.13	3.00	1.50	0.94	3.00	1.50	4.00	4.50	2.00	1.09	2.25	5/8"-11	7/16"-14	11.30 (5.13)	6000 (420)
1-1/2"x1-1/4"	BTR64-150x125-*	1.44	3.13	3.00	1.50	1.25	3.00	1.50	4.00	4.50	2.00	1.25	2.63	5/8"-11	1/2"-13	11.30 (5.13)	6000 (420)
2"x1/2"	BTR64-200x050-*	1.75	3.81	3.38	1.94	0.50	3.00	1.50	5.00	5.00	2.50	0.72	1.59	3/4"-10	5/16"-18	14.80 (6.71)	6000 (420)
2"x3/4"	BTR64-200x075-*	1.75	3.81	3.38	1.94	0.75	3.00	1.50	5.00	5.00	2.50	0.94	2.00	3/4"-10	3/8"-16	14.80 (6.71)	6000 (420)
2"x1"	BTR64-200x100-*	1.75	3.81	3.38	1.94	0.94	3.00	1.50	5.00	5.00	2.50	1.09	2.25	3/4"-10	7/16"-14	14.80 (6.71)	6000 (420)
2"x1-1/4"	BTR64-200x125-*	1.75	3.81	3.38	1.94	1.25	3.00	1.50	5.00	5.00	2.50	1.25	2.63	3/4"-10	1/2"-13	14.80 (6.71)	6000 (420)
2"x1-1/2"	BTR64-200x150-*	1.75	3.81	3.38	1.94	1.50	3.00	1.50	5.00	5.00	2.50	1.44	3.13	3/4"-10	5/8"-11	14.80 (6.71)	6000 (420)

*** Materials:**

Standard, No Designation = All Carbon Steel, Clear Zinc Plated (Cr6 Free).

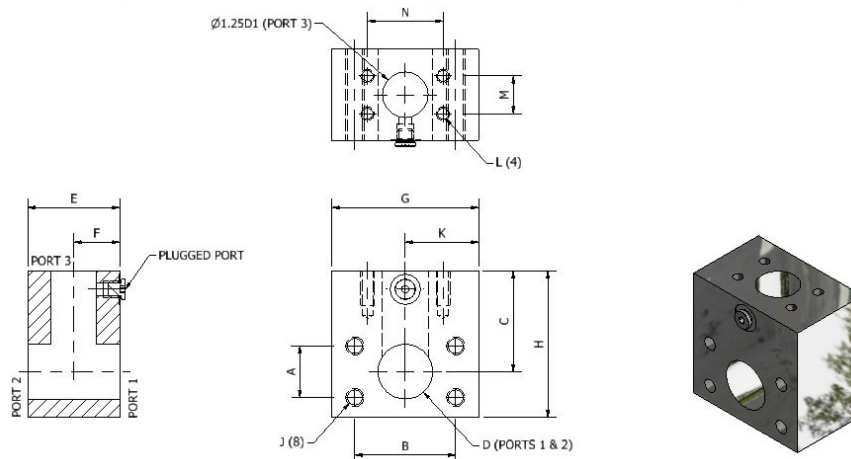
SS = Stainless Steel, Type 316.

Ordering Example: BTR64-200x050-SS

* Insert Material

SAE 6000 PSI Reducing Branch Block Tee - Metric

SAE J518 Code 62 (ISO 6162-2) Flange Style



BTRM64 - Reducing Branch Block Tee Flat Face with Threaded Holes Complete with G1/8 Port (Plugged), Metric

Size (run x branch)	Block Tee Part Number	Dimensions (mm)												Thread 1	Thread 2	WT lbs (kg)	Working Pressure PSI (bar)
		A	B	C	D	D1	E	F	G	H	K	M	N				
3/4"x1/2"	BTRM64-075x050-*	23.9	50.8	57.2	19.1	12.7	50.8	25.4	76.2	82.6	38.1	18.3	40.4	M10 x 1.50	M8 x 1.25	5.20 (2.36)	6000 (420)
1"x1/2"	BTRM64-100x050-*	27.7	57.2	63.5	23.9	12.7	57.2	28.7	76.2	101.6	38.1	18.3	40.4	M12 x 1.75	M8 x 1.25	5.20 (2.36)	6000 (420)
1"x3/4"	BTRM64-100x075-*	27.7	57.2	63.5	23.9	19.1	57.2	28.7	76.2	101.6	38.1	23.9	50.8	M12 x 1.75	M10 x 1.50	5.20 (2.36)	6000 (420)
1-1/4"x1/2"	BTRM64-125x050-*	31.8	66.8	69.9	31.8	12.7	63.5	31.8	101.6	101.6	50.8	18.3	40.4	M12 x 1.75	M8 x 1.25	10.00 (4.54)	6000 (420)
1-1/4"x1/2"	BTRM64-125-M14x050*	31.8	66.8	69.9	31.8	12.7	63.5	31.8	101.6	101.6	50.8	18.3	40.4	M14 x 2.00	M8 x 1.25	10.00 (4.54)	6000 (420)
1-1/4"x3/4"	BTRM64-125x075-*	31.8	66.8	69.9	31.8	19.1	63.5	31.8	101.6	101.6	50.8	23.9	50.8	M12 x 1.75	M10 x 1.50	10.00 (4.54)	6000 (420)
1-1/4" (2) x3/4"	BTRM64-125-M14x075*	31.8	66.8	69.9	31.8	19.1	63.5	31.8	101.6	101.6	50.8	23.9	50.8	M14 x 2.00	M10 x 1.50	10.00 (4.54)	6000 (420)
1-1/4"x1"	BTRM64-125x100-*	31.8	66.8	69.9	31.8	23.9	63.5	31.8	101.6	101.6	50.8	27.7	57.2	M12 x 1.75	M12 x 1.75	10.00 (4.54)	6000 (420)
1-1/4" (2) x1"	BTRM64-125-M14x100*	31.8	66.8	69.9	31.8	23.9	63.5	31.8	101.6	101.6	50.8	27.7	57.2	M14 x 2.00	M12 x 1.75	10.00 (4.54)	6000 (420)
1-1/2"x1/2"	BTRM64-150x050-*	36.6	79.5	76.2	38.1	12.7	76.2	38.1	101.6	114.3	50.8	18.3	40.4	M16 x 2.00	M8 x 1.25	11.30 (5.13)	6000 (420)
1-1/2"x3/4"	BTRM64-150x075-*	36.6	79.5	76.2	38.1	19.1	76.2	38.1	101.6	114.3	50.8	23.9	50.8	M16 x 2.00	M10 x 1.50	11.30 (5.13)	6000 (420)
1-1/2"x1"	BTRM64-150x100-*	36.6	79.5	76.2	38.1	23.9	76.2	38.1	101.6	114.3	50.8	27.7	57.2	M16 x 2.00	M12 x 1.75	11.30 (5.13)	6000 (420)
1-1/2"x1-1/4"	BTRM64-150x125-*	36.6	79.5	76.2	38.1	31.8	76.2	38.1	101.6	114.3	50.8	31.8	66.8	M16 x 2.00	M12 x 1.75	11.30 (5.13)	6000 (420)
1-1/2"x1-1/4" (2)	BTRM64-150x125-M14-*	36.6	79.5	76.2	38.1	31.8	76.2	38.1	101.6	114.3	50.8	31.8	66.8	M16 x 2.00	M14 x 2.00	11.30 (5.13)	6000 (420)
2"x1/2"	BTRM64-200x050-*	44.5	96.8	85.9	49.3	12.7	76.2	38.1	127.0	127.0	63.5	18.3	40.4	M20 x 2.50	M8 x 1.25	14.80 (6.71)	6000 (420)
2"x3/4"	BTRM64-200x075-*	44.5	96.8	85.9	49.3	19.1	76.2	38.1	127.0	127.0	63.5	23.9	50.8	M20 x 2.50	M10 x 1.50	14.80 (6.71)	6000 (420)
2"x1"	BTRM64-200x100-*	44.5	96.8	85.9	49.3	23.9	76.2	38.1	127.0	127.0	63.5	27.7	57.2	M20 x 2.50	M12 x 1.75	14.80 (6.71)	6000 (420)
2"x1-1/4"	BTRM64-200x125-*	44.5	96.8	85.9	49.3	31.8	76.2	38.1	127.0	127.0	63.5	31.8	66.8	M20 x 2.50	M12 x 1.75	14.80 (6.71)	6000 (420)
2"x1-1/4" (2)	BTRM64-200x125-M14-*	44.5	96.8	85.9	49.3	31.8	76.2	38.1	127.0	127.0	63.5	31.8	66.8	M20 x 2.50	M14 x 2.00	14.80 (6.71)	6000 (420)
2"x1-1/2"	BTRM64-200x150-*	44.5	96.8	85.9	49.3	38.1	76.2	38.1	127.0	127.0	63.5	36.6	79.5	M20 x 2.50	M16 x 2.00	14.80 (6.71)	6000 (420)

*** Materials:**

Standard, No Designation = All Carbon Steel, Clear Zinc Plated (Cr6 Free).
 SS = Stainless Steel, Type 316.

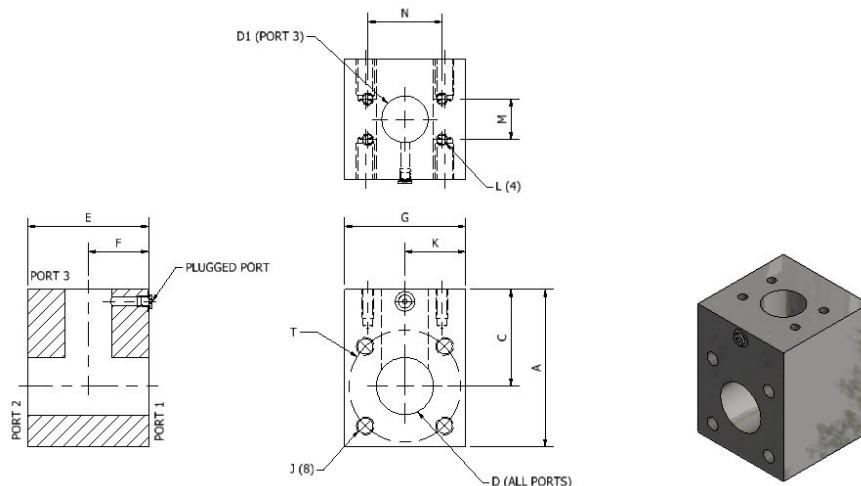
Ordering Example: BTRM64-200x050-SS

* Insert Material _____

3D step models available upon request

SAE 6000 PSI Reducing Branch Block Tee

ISO 6164/SAE J518 Code 62 (ISO 6162-2) Flange Style



BTR7-64 - Reducing Branch Block Tee Flat Face with Threaded Holes Complete with #4 SAE Port (Plugged), NPS

Size (run x branch)	Block Tee Part Number	Dimensions (in)											Thread 1 UNC-2B	Thread 2 UNC-2B	WT lbs (kg)	Working Pressure PSI (bar)
		T	C	D	D1	E	F	G	H	K	M	N				
2-1/2"x2"	BTR7-64-250x200-*	4.65	4.13	2.38	1.94	3.50	1.75	5.00	6.50	2.50	1.75	3.81	3/4"-10	3/4"-10	32.19 (14.60)	5800 (400)
3"x2"	BTR7-64-300x200-*	5.71	4.75	2.88	1.94	4.00	2.00	6.00	7.75	3.00	1.75	3.81	1"-8	3/4"-10	49.50 (22.45)	5800 (400)
4"x2"	BTR7-64-400x200-*	6.89	5.00	3.50	1.94	4.00	2.00	7.00	8.50	3.50	1.75	3.81	1-1/8"-7	3/4"-10	67.35 (30.55)	5800 (400)

BTRM7-64 - Reducing Branch Block Tee Flat Face with Threaded Holes Complete with G1/8 Port (Plugged), Metric

Size (run x branch)	Block Tee Part Number	Dimensions (mm)											Thread 1	Thread 2	WT lbs (kg)	Working Pressure PSI (bar)
		T	C	D	D1	E	F	G	H	K	M	N				
2-1/2"x2"	BTRM7-64-250x200-*	118.1	104.9	60.5	49.3	88.9	44.5	127.0	165.1	63.5	44.5	96.8	M20 x 2.50	M20 x 2.50	32.25 (14.63)	5800 (400)
3"x2"	BTRM7-64-300x200-*	145.0	120.7	73.2	49.3	101.6	50.8	152.4	196.9	76.2	44.5	96.8	M24 x 3.00	M20 x 2.50	49.60 (22.50)	5800 (400)
4"x2"	BTRM7-64-400x200-*	175.0	127.0	88.9	49.3	101.6	50.8	177.8	215.9	88.9	44.5	96.8	M30 x 3.50	M20 x 2.50	67.48 (30.61)	5800 (400)

Materials:

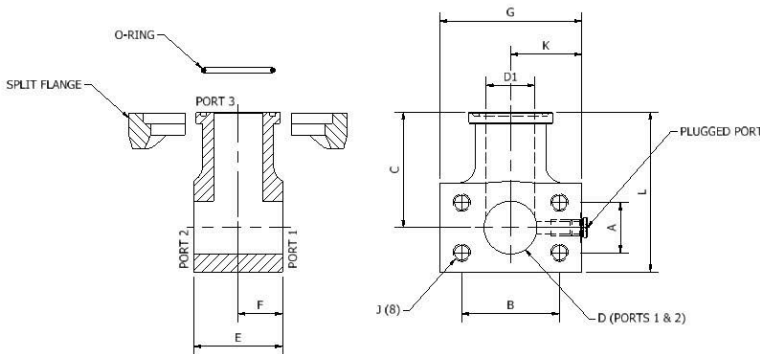
Standard, No Designation = All Carbon Steel, Clear Zinc Plated (Cr6 Free).
SS = Stainless Steel, Type 316.

Ordering Example: BTR7-64-250x200-SS

* Insert Material

SAE 6000 PSI Split Flange Branch Tee Complete Assembly

SAE J518 Code 62 (ISO 6162-2) Flange Style



Complete Flange Set Includes:

- One (1) Split Flange Tee
- One (1) Sets (2 Halves) Split Flanges
- One (1) O-Ring
- One (1) Component Bolt Kit

A/SFBT64 - Split Flange Branch Tee Assembly with Threaded Holes Complete with Buna O-Rings and #4 SAE Port (Plugged), NPS

Size	Complete Assembly Part Number	Dimensions (in)										Thread UNC-2B	O-Ring (Buna) Part Number	Assembly WT lbs (kg)	Body Only Part Number	Body Only WT lbs (kg)	Working Pressure PSI (bar)
		A	B	C	D	D1	E	F	G	K	L						
1/2"	A/SFBT64-050-*^	0.72	1.59	2.75	0.50	0.38	2.00	1.00	2.50	1.25	3.75	5/16"-18	OR*-2-210	3.45 (1.56)	SFBT64-050-*	2.90 (1.32)	6000 (420)
3/4"	A/SFBT64-075-*^	0.94	2.00	3.00	0.75	0.63	2.00	1.00	3.00	1.50	4.00	3/8"-16	OR*-2-214	4.43 (2.01)	SFBT64-075-*	3.50 (1.59)	6000(420)
1"	A/SFBT64-100-*^	1.09	2.25	3.38	0.94	0.88	2.25	1.13	3.00	1.50	4.50	7/16"-14	OR*-2-219	5.81 (2.64)	SFBT64-100-*	4.35 (1.97)	6000 (420)
1-1/4"	A/SFBT64-125-*^	1.25	2.63	3.50	1.25	1.13	2.50	1.25	4.00	2.00	4.75	1/2"-13	OR*-2-222	8.76 (3.97)	SFBT64-125-*	6.50 (2.95)	6000 (420)
1-1/2"	A/SFBT64-150-*^	1.44	3.13	4.25	1.50	1.38	3.00	1.50	4.00	2.00	5.75	5/8"-11	OR*-2-225	13.26 (6.01)	SFBT64-150-*	9.35 (4.24)	6000 (420)
2"	A/SFBT64-200-*^	1.75	3.81	4.75	1.94	1.88	3.00	1.50	5.00	2.50	6.25	3/4"-10	OR*-2-228	18.48 (8.38)	SFBT64-200-*	12.00 (5.44)	6000 (420)

A/SFBTM64 - Split Flange Branch Tee Assembly Flat Face with Threaded Holes, Complete with Buna O-Ring and G1/8 Port (Plugged), Metric

Size	Complete Assembly Part Number	Dimensions (mm)										Thread	O-Ring (Buna) Part Number	Assembly WT lbs (kg)	Body Only Part Number	Body Only WT lbs (kg)	Working Pressure PSI (bar)
		A	B	C	D	D1	E	F	G	K	L						
1/2"	A/SFBTM64-050-*^	18.3	40.4	69.9	12.7	9.7	50.8	25.4	63.5	31.8	95.3	M8 x 1.25	OR*-2-210	3.45 (1.56)	SFBTM64-050-*	2.90 (1.32)	6000 (420)
3/4"	A/SFBTM64-075-*^	23.9	50.8	76.2	19.1	16.0	50.8	25.4	76.2	38.1	101.6	M10 x 1.50	OR*-2-214	4.43 (2.01)	SFBTM64-075-*	3.50 (1.59)	6000 (420)
1"	A/SFBTM64-100-*^	27.7	57.2	85.9	23.9	22.4	57.2	28.7	76.2	38.1	114.3	M12 x 1.75	OR*-2-219	5.81 (2.64)	SFBTM64-100-*	4.35 (1.97)	6000 (420)
1-1/4"	A/SFBTM64-125-*^	31.8	66.8	88.9	31.8	28.7	63.5	31.8	101.6	50.8	120.7	M12 x 1.75	OR*-2-222	8.76 (3.97)	SFBTM64-125-*	6.50 (2.95)	6000 (420)
1-1/4" ²⁰	A/SFBTM64-125-M14-*^	31.8	66.8	88.9	31.8	28.7	63.5	31.8	101.6	50.8	120.7	M14 x 2.00	OR*-2-222	8.76 (3.97)	SFBTM64-125-M14-*	6.50 (2.95)	6000 (420)
1-1/2"	A/SFBTM64-150-*^	36.6	79.5	108.0	38.1	34.9	76.2	38.1	101.6	50.8	146.1	M16 x 2.00	OR*-2-225	13.26 (6.01)	SFBTM64-150-*	9.35 (4.24)	6000 (420)
2"	A/SFBTM64-200-*^	44.5	96.8	120.7	49.3	47.8	88.9	44.5	127.0	63.5	158.8	M20 x 2.50	OR*-2-228	18.48 (8.38)	SFBTM64-200-*	12.00 (5.44)	6000 (420)

*** Materials:**

Standard, No Designation = All Carbon Steel, Clear Zinc Plated (Cr6 Free).
 SS = Stainless Steel, Type 316.

^ O-Ring Type:

Standard, No Designation = Buna Nitrile.
 V = Viton.

Ordering Example: A/SFBT64-200-SS-V

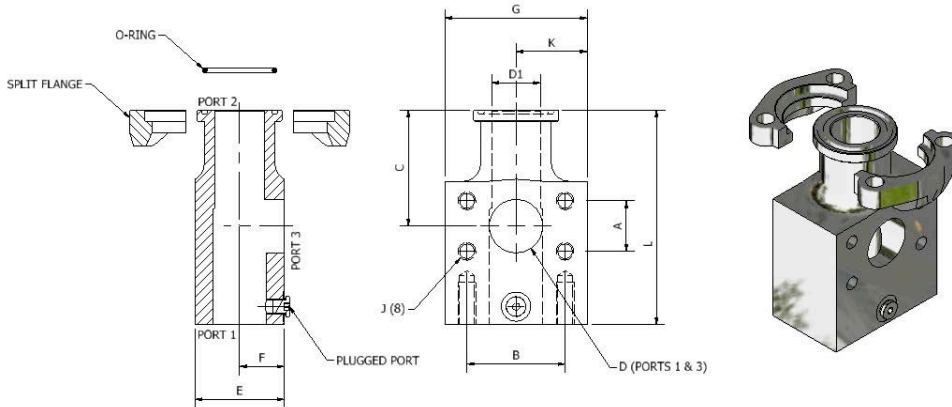
* Insert Material _____
 ^ Insert O-Ring Type _____

3D step models available upon request

Introduction
 Technical Data
 Pipe Selection Guide
 16 bar, 90° Flare
 ANSI 150#, 300# Flare
 SAE 1000, 70 bar
 SAE 3000, 210 bar
 SAE 6000, 420 bar
 SAE 10000, 400 bar
 Clamps
 Valves, Ball and Check
 Machines

SAE 6000 PSI Split Flange Run Tee Complete Assembly

SAE J518 Code 62 (ISO 6162-2) Flange Style



- Complete Flange Set Includes:
- One (1) Split Flange Tee
 - One (1) Sets (2 Halves) Split Flanges
 - One (1) O-Ring
 - One (1) Component Bolt Kit

A/SFRT64 - Split Flange Run Tee Assembly Flat Face with Threaded Holes Complete with Buna O-Rings and #4 SAE Port (Plugged), NPS

Size	Complete Assembly Part Number	Dimensions (in)										Thread UNC-2B	O-Ring (Buna) Part Number	Assembly WT lbs (kg)	Body Only Part Number	Body Only WT lbs (kg)	Working Pressure PSI (bar)
		A	B	C	D	D1	E	F	G	K	L						
1/2"	A/SFRT64-050-*^-^	0.72	1.59	2.37	0.50	0.38	2.00	1.00	2.50	1.25	4.25	5/16"-18	OR*-2-210	3.85 (1.75)	SFRT64-050-*	3.30 (1.50)	6000 (420)
3/4"	A/SFRT64-075-*^-^	0.94	2.00	3.00	0.75	0.63	2.00	1.00	3.00	1.50	5.25	3/8"-16	OR*-2-214	6.33 (2.87)	SFRT64-075-*	5.40 (2.45)	6000 (420)
1"	A/SFRT64-100-*^-^	1.09	2.25	3.75	0.94	0.88	2.25	1.13	3.00	1.50	6.25	7/16"-14	OR*-2-219	8.46 (3.84)	SFRT64-100-*	7.00 (3.18)	6000 (420)
1-1/4"	A/SFRT64-125-*^-^	1.25	2.63	3.50	1.25	1.13	2.50	1.25	4.00	2.00	6.25	1/2"-13	OR*-2-222	11.81 (5.36)	SFRT64-125-*	9.55 (4.33)	6000 (420)
1-1/2"	A/SFRT64-150-*^-^	1.44	3.13	4.25	1.50	1.38	3.00	1.50	4.00	2.00	7.25	5/8"-11	OR*-2-225	16.91 (7.67)	SFRT64-150-*	13.00 (5.90)	6000 (420)
2"	A/SFRT64-200-*^-^	1.75	3.81	4.87	1.94	1.88	3.00	1.50	5.00	2.50	8.25	3/4"-10	OR*-2-228	24.23 (10.99)	SFRT64-200-*	17.75 (8.05)	6000 (420)

A/SFRM64 - Split Flange Run Tee Assembly Flat Face with Threaded Holes Complete with Buna O-Ring and G1/8 Port (Plugged), Metric

Size	Complete Assembly Part Number	Dimensions (mm)										Thread	O-Ring (Buna) Part Number	Assembly WT lbs (kg)	Body Only Part Number	Body Only WT lbs (kg)	Working Pressure PSI (bar)
		A	B	C	D	D1	E	F	G	K	L						
1/2"	A/SFRM64-050-*^-^	18.3	40.4	60.2	12.7	9.7	50.8	25.4	63.5	31.8	108.0	M8 x 1.25	OR*-2-210	3.85 (1.75)	SFRM64-050-*	3.30 (1.50)	6000 (420)
3/4"	A/SFRM64-075-*^-^	23.9	50.8	76.2	19.1	16.0	50.8	25.4	76.2	38.1	133.4	M10 x 1.50	OR*-2-214	6.33 (2.87)	SFRM64-075-*	5.40 (2.45)	6000 (420)
1"	A/SFRM64-100-*^-^	27.7	57.2	95.3	23.9	22.4	57.2	28.7	76.2	38.1	158.8	M12 x 1.75	OR*-2-219	8.46 (3.84)	SFRM64-100-*	7.00 (3.18)	6000 (420)
1-1/4"	A/SFRM64-125-*^-^	31.8	66.8	88.9	31.8	28.7	63.5	31.8	101.6	50.8	158.8	M12 x 1.75	OR*-2-222	11.81 (5.36)	SFRM64-125-*	9.55 (4.33)	6000 (420)
1-1/4" ⁽²⁾	A/SFRM64-125-M14-*^-^	31.8	66.8	88.9	31.8	28.7	63.5	31.8	101.6	50.8	158.8	M14 x 2.00	OR*-2-222	11.81 (5.36)	SFRM64-125-M14-*	9.55 (4.33)	6000 (420)
1-1/2"	A/SFRM64-150-*^-^	36.6	79.5	108.0	38.1	34.9	76.2	38.1	101.6	50.8	184.2	M16 x 2.00	OR*-2-225	16.91 (7.67)	SFRM64-150-*	13.00 (5.90)	6000 (420)
2"	A/SFRM64-200-*^-^	44.5	96.8	120.7	49.3	47.8	88.9	44.5	127.0	63.5	209.6	M20 x 2.50	OR*-2-228	24.23 (10.99)	SFRM64-200-*	17.75 (8.05)	6000 (420)

*** Materials:**

Standard, No Designation = All Carbon Steel, Clear Zinc Plated (Cr6 Free).
 SS = Stainless Steel, Type 316.

^ O-Ring Type:

Standard, No Designation = Buna Nitrile.
 V = Viton.

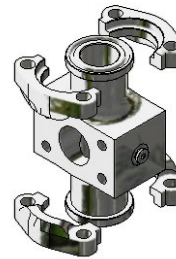
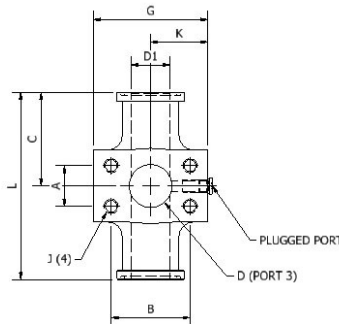
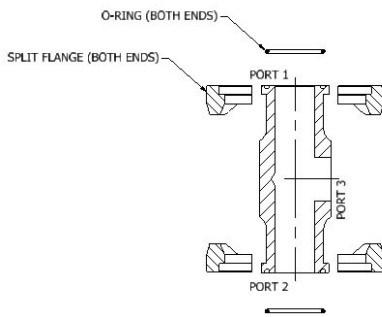
Ordering Example: A/SFRT64-200-SS-V

* Insert Material _____
 ^ Insert O-Ring Type _____

SAE 6000 PSI Split Flange Tee

Complete Assembly

SAE J518 Code 62 (ISO 6162-2) Flange Style



Complete Flange Set Includes:

- One (1) Split Flange Tee
- Two (2) Sets (4 Halves) Split Flanges
- Two (2) O-Rings
- Two (2) Component Bolt Kits

A/SFT64 - Split Flange Tee Assembly - Flat Face with Threaded Holes Complete with Buna O-Rings and #4 SAE Port (Plugged), NPS

Size	Complete Assembly Part Number	Dimensions (in)										Thread UNC-2B	O-Ring (Buna) Part Number	Assembly WT lbs (kg)	Body Only Part Number	Body Only WT lbs (kg)	Working Pressure PSI (bar)
		A	B	C	D	D1	E	F	G	K	L						
1/2"	A/SFT64-050-*^	0.72	1.59	2.75	0.50	0.38	2.00	1.00	3.00	1.50	5.50	5/16"-18	OR*-2-210	4.90 (2.22)	SFT64-050-*	3.80 (1.72)	6000 (420)
3/4"	A/SFT64-075-*^	0.94	2.00	3.00	0.75	0.63	2.00	1.00	3.50	1.75	6.00	3/8"-16	OR*-2-214	6.56 (2.98)	SFT64-075-*	4.70 (2.13)	6000 (420)
1"	A/SFT64-100-*^	1.09	2.25	3.38	0.94	0.88	2.25	1.13	3.00	1.50	6.75	7/16"-14	OR*-2-219	8.22 (3.73)	SFT64-100-*	5.30 (2.40)	6000 (420)
1-1/4"	A/SFT64-125-*^	1.25	2.63	3.50	1.25	1.13	2.50	1.25	4.00	2.00	7.00	1/2"-13	OR*-2-222	12.07 (5.47)	SFT64-125-*	7.55 (3.42)	6000 (420)
1-1/2"	A/SFT64-150-*^	1.44	3.13	4.20	1.50	1.38	3.00	1.50	4.00	2.00	8.50	5/8"-11	OR*-2-225	18.87 (8.56)	SFT64-150-*	11.05 (5.01)	6000 (420)
2"	A/SFT64-200-*^	1.75	3.81	4.75	1.94	1.88	3.00	1.50	5.00	2.50	9.50	3/4"-10	OR*-2-228	28.01 (12.71)	SFT64-200-*	15.05 (6.83)	6000 (420)

A/SFTM64 - Split Flange Tee Assembly - Flat Face with Threaded Holes Complete with Buna O-Rings and G1/8 Port (Plugged), Metric

Size	Complete Assembly Part Number	Dimensions (mm)										Thread	O-Ring (Buna) Part Number	Assembly WT lbs (kg)	Body Only Part Number	Body Only WT lbs (kg)	Working Pressure PSI (bar)
		A	B	C	D	D1	E	F	G	K	L						
1/2"	A/SFTM64-050-*^	18.3	40.4	69.9	12.7	9.7	50.8	25.4	76.2	38.1	139.7	M8 x 1.25	OR*-2-210	4.90 (2.22)	SFTM64-050-*	3.80 (1.72)	6000 (420)
3/4"	A/SFTM64-075-*^	23.9	50.8	76.2	19.1	16.0	50.8	25.4	88.9	44.5	152.4	M10 x 1.50	OR*-2-214	6.56 (2.98)	SFTM64-075-*	4.70 (2.13)	6000 (420)
1"	A/SFTM64-100-*^	27.7	57.2	85.9	23.9	22.4	57.2	28.7	76.2	38.1	171.5	M12 x 1.75	OR*-2-219	8.22 (3.73)	SFTM64-100-*	5.30 (2.40)	6000 (420)
1-1/4"	A/SFTM64-125-*^	31.8	66.8	88.9	31.8	28.7	63.5	31.8	101.6	50.8	177.8	M12 x 1.75	OR*-2-222	12.07 (5.47)	SFTM64-125-*	7.55 (3.42)	6000 (420)
1-1/4" ^(M)	A/SFTM64-125-M14-*^	31.8	66.8	88.9	31.8	28.7	63.5	31.8	101.6	50.8	177.8	M14 x 2.00	OR*-2-222	12.07 (5.47)	SFTM64-125-M14-*	7.55 (3.42)	6000 (420)
1-1/2"	A/SFTM64-150-*^	36.6	79.5	108.0	38.1	34.9	76.2	38.1	101.6	50.8	215.9	M16 x 2.00	OR*-2-225	18.87 (8.56)	SFTM64-150-*	11.05 (5.01)	6000 (420)
2"	A/SFTM64-200-*^	44.5	96.8	120.7	49.3	47.8	88.9	44.5	127.0	63.5	241.3	M20 x 2.50	OR*-2-228	28.01 (12.71)	SFTM64-200-*	15.05 (6.83)	6000 (420)

*** Materials:**

Standard, No Designation = All Carbon Steel, Clear Zinc Plated (Cr6 Free).
 SS = Stainless Steel, Type 316.

^ O-Ring Type:

Standard, No Designation = Buna Nitrile.
 V = Viton.

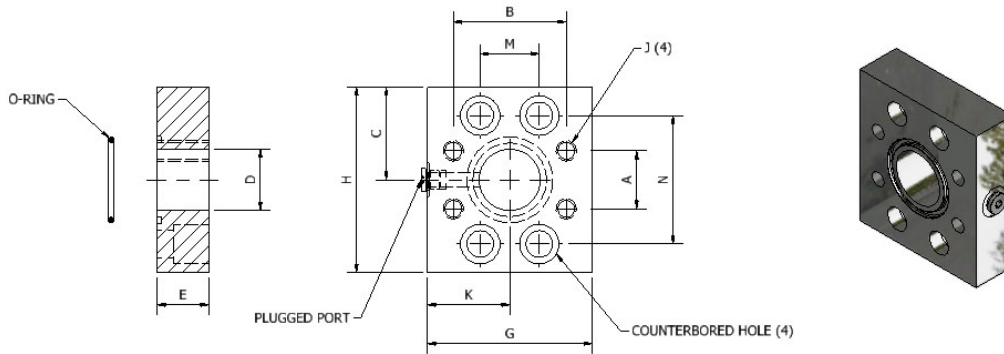
Ordering Example: A/SFT64-200-SS-V

* Insert Material _____
 ^ Insert O-Ring Type _____

3D step models available upon request

SAE 6000 PSI Transition Plate

SAE J518 Code 62/Code 61 (ISO 6162-2/6162-1) Flange Manifold Mount Style



TPO6-34 - Transition Plate O-Ring Face with Counterbored Holes Complete with Buna O-Ring and #4 SAE Port (Plugged), NPS

Size	Transition Plate Part Number	Dimensions (in)										C'T Bore Bolt	Thread 1 UNC-2B	O-Ring (Buna) Part No.	WT lbs (kg)	Working Pressure PSI (bar)
		A	B	C	D	E	G	H	K	M	N					
1/2"	TP06-34-050-*^-^	0.69	1.50	1.25	0.50	1.00	2.50	2.50	1.50	0.72	1.60	5/16"	5/16"-18	OR^-2-210	1.40 (0.64)	5000 (350)
3/4"	TP06-34-075-*^-^	0.88	1.88	1.50	0.75	1.00	3.00	3.00	1.75	0.94	2.00	3/8"	3/8"-16	OR^-2-214	2.00 (0.91)	5000 (350)
1"	TP06-34-100-*^-^	1.03	2.06	1.50	0.94	1.00	3.00	3.00	1.50	1.10	2.24	7/16"	3/8"-16	OR^-2-219	1.90 (0.86)	5000 (350)
1-1/4"	TP06-34-125-*^-^	1.19	2.31	2.00	1.25	1.25	3.00	4.00	1.50	1.24	2.62	1/2"	7/16"-14	OR^-2-222	3.59 (1.63)	4000 (275)
1-1/2"	TP06-34-150-*^-^	1.41	2.75	2.25	1.50	1.25	4.00	4.50	2.00	1.44	3.13	31/32"	1/2"-13	OR^-2-225	4.56 (2.07)	3000 (210)
2"	TP06-34-200-*^-^	1.69	3.06	2.75	1.94	1.75	4.00	5.50	2.00	1.75	3.81	3/4"	1/2"-13	OR^-2-228	7.40 (3.36)	3000 (210)

TPOM6-34 - Transition Plate O-Ring Face with Counterbored Holes Complete with Buna O-Ring and G 1/8 Port (Plugged), Metric

Size	Transition Plate Part Number	Dimensions (mm)										C'T Bore	Thread	O-Ring (Buna) Part No.	WT lbs (kg)	Working Pressure PSI (bar)
		A	B	C	D	E	G	H	K	M	N					
1/2"	TPOM6-34-050-*^-^	17.5	38.10	31.8	12.7	25.4	63.5	63.5	38.1	18.3	40.6	M8	M8x1.25	OR^-2-210	1.40 (0.64)	5000 (350)
3/4"	TPOM6-34-075-*^-^	22.4	47.8	38.1	19.1	25.4	76.2	76.2	44.5	23.9	50.8	M10	M10x1.50	OR^-2-214	2.00 (0.91)	5000 (350)
1"	TPOM6-34-100-*^-^	26.2	52.3	38.1	23.9	25.4	76.2	76.2	38.1	27.9	56.9	M12	M12x1.50	OR^-2-219	1.90 (0.86)	5000 (350)
1-1/4"	TPOM6-34-125-*^-^	30.2	58.7	50.8	31.8	31.8	76.2	101.6	38.1	31.5	66.5	M12	M12x1.50	OR^-2-222	3.59 (1.63)	4000 (275)
1-1/4" ⁽²⁾	TPOM6-34-125-M14-*^-^	30.2	58.7	50.8	31.8	31.8	76.2	101.6	38.1	31.5	66.5	M14	M12x1.50	OR^-2-222	3.59 (1.63)	4000 (275)
1-1/2"	TPOM6-34-150-*^-^	35.8	69.9	57.2	38.1	31.8	101.6	114.3	50.8	36.6	79.5	M16	M16x1.75	OR^-2-225	4.56 (2.07)	3000 (210)
2"	TPOM6-34-200-*^-^	42.9	77.7	69.9	49.3	44.5	101.6	139.7	50.8	44.5	96.8	M20	M20x1.75	OR^-2-228	7.40 (3.36)	3000 (210)

*** Materials:**

Standard, No Designation = All Carbon Steel, Clear Zinc Plated (Cr6 Free).
 SS = Stainless Steel, Type 316.

^ O-Ring Type:

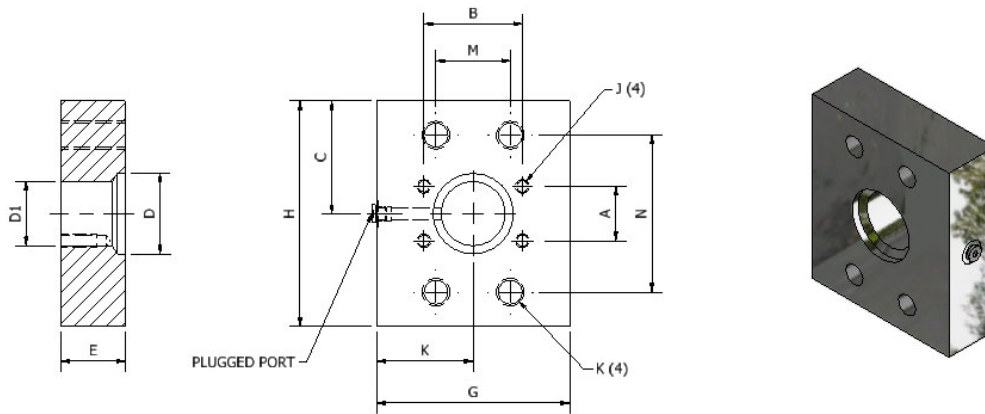
Standard, No Designation = Buna Nitrile.
 V = Viton.

Ordering Example: TP06-34-200-SS-V

* Insert Material _____
 ^ Insert O-Ring Type _____

SAE 6000 PSI Transition Plate Reducer

SAE J518 Code 62/Code 61 (ISO 6162-2/6162-1) Flange Union Style



TPR6-34 - Transition Plate Reducer Flat Face with Threaded Holes Complete with #4 SAE Port (Plugged), NPS

Size (SAE Code 62 x Code 61)	Reducer Part Number	Dimensions (in)										Thread 1 UNC-2B	Thread 2 UNC-2B	WT lbs (kg)	Working Pressure PSI (bar)	
		A	B	C	D	D1	E	G	H	K	M					N
3/4" x 1/2"	TPR6-34-075x050-	0.69	1.50	1.25	0.75	0.50	1.00	2.50	3.00	1.25	0.94	2.00	3/8"-16	5/16"-18	1.87 (0.85)	5000 (350)
1" x 1/2"	TPR6-34-100x050-	0.69	1.50	1.25	0.94	0.50	1.50	3.00	3.00	1.50	1.09	2.25	7/16"-14	5/16"-18	3.42 (1.55)	5000 (350)
1" x 3/4"	TPR6-34-100x075-	0.88	1.88	1.50	0.94	0.75	1.25	3.00	3.00	1.50	1.09	2.25	7/16"-14	3/8"-16	2.70 (1.22)	5000 (350)
1-1/4" x 3/4"	TPR6-34-125x075-	0.88	1.88	1.50	1.25	0.75	1.50	3.00	3.50	1.50	1.25	2.62	1/2"-13	3/8"-16	3.80 (1.72)	5000 (350)
1-1/4" x 1"	TPR6-34-125x100-	1.03	2.06	1.50	1.25	0.94	1.25	3.00	3.50	1.50	1.25	2.62	1/2"-13	3/8"-16	3.00 (1.36)	5000 (350)
1-1/2" x 1"	TPR6-34-150x100-	1.03	2.06	1.50	1.50	0.94	1.50	3.00	4.00	1.50	1.44	3.13	5/8"-11	3/8"-16	4.10 (1.86)	5000 (350)
1-1/2" x 1-1/4"	TPR6-34-150x125-	1.19	2.31	2.00	1.50	1.25	1.50	4.00	4.00	2.00	1.44	3.13	5/8"-11	7/16"-14	55.50 (2.49)	4000 (280)
2" x 1-1/4"	TPR6-34-200x125-	1.19	2.31	2.00	1.94	1.25	1.75	4.00	5.00	2.00	1.75	3.82	3/4"-10	7/16"-14	8.27 (3.75)	4000 (280)
2" x 1-1/2"	TPR6-34-200x150-	1.41	2.75	2.50	1.94	1.50	1.50	5.00	5.00	2.50	1.75	3.81	3/4"-10	1/2"-13	8.93 (4.05)	4000 (280)

TPRM6-34 - Transition Plate Reducer Flat Face with Threaded Holes Complete with G1/8 Port (Plugged), Metric

Size (SAE Code 62 x Code 61)	Reducer Part Number	Dimensions (mm)										Thread 1	Thread 2	WT lbs (kg)	Working Pressure PSI (bar)	
		A	B	C	D	D1	E	G	H	K	M					N
3/4" x 1/2"	TPRM6-34-075x050-*	17.5	38.1	31.8	19.1	12.7	25.4	63.5	76.2	31.8	23.9	50.8	M10 x 1.50	M8 x 1.25	1.87 (0.85)	5000 (350)
1" x 1/2"	TPRM6-34-100x050-*	17.5	38.1	38.1	23.9	12.7	38.1	76.2	76.2	38.1	27.7	57.2	M12 x 1.75	M8 x 1.25	3.42 (1.55)	5000 (350)
1" x 3/4"	TPRM6-34-100x075-*	22.4	47.8	38.1	23.9	19.1	31.8	76.2	76.2	38.1	27.7	57.2	M12 x 1.75	M10 x 1.50	2.70 (1.22)	5000 (350)
1-1/4" x 3/4"	TPRM6-34-125x075-*	22.4	47.8	38.1	31.8	19.1	38.1	76.2	88.9	38.1	31.8	66.5	M12 x 1.75	M10 x 1.50	3.80 (1.72)	5000 (350)
1-1/4" ⁽²⁾ x 3/4"	TPRM6-34-125-M14x075-*	22.4	47.8	38.1	31.8	19.1	38.1	76.2	88.9	38.1	31.8	66.5	M14 x 2.00	M10 x 1.50	3.80 (1.72)	5000 (350)
1-1/4" x 1"	TPRM6-34-125x100-*	26.2	52.3	38.1	31.8	23.9	31.8	76.2	88.9	38.1	31.8	66.5	M12 x 1.75	M10 x 1.50	3.00 (1.36)	5000 (350)
1-1/4" ⁽²⁾ x 1"	TPRM6-34-125-M14x100-	26.2	52.3	38.1	31.8	23.9	31.8	76.2	88.9	38.1	31.8	66.5	M14 x 2.00	M10 x 1.50	3.00 (1.36)	5000 (350)
1-1/2" x 1"	TPRM6-34-150x100-*	26.2	52.3	38.1	38.1	23.9	38.1	76.2	101.6	38.1	36.6	79.5	M16 x 2.00	M10 x 1.50	4.10 (1.86)	5000 (350)
1-1/2" x 1-1/4"	TPRM6-34-150x125-*	30.2	58.7	50.8	38.1	31.8	38.1	101.6	101.6	50.8	36.6	79.5	M16 x 2.00	M10 x 1.50	55.50 (2.49)	4000 (280)
2" x 1-1/4"	TPRM6-34-200x125-*	30.2	58.7	50.8	49.3	31.8	44.5	101.6	127.0	50.8	44.7	97.0	M20x2.50	M10 x 1.50	8.27 (3.75)	4000 (280)
2" x 1-1/2"	TPRM6-34-200x150-*	35.8	69.9	63.5	49.3	38.1	38.1	127.0	127.0	63.5	44.5	96.8	M20x2.50	M12 x 1.75	8.93 (4.05)	4000 (280)

*** Materials:**

Standard, No Designation = All Carbon Steel, Clear Zinc Plated (Cr6 Free).

SS = All Stainless Steel, Type 316.

Ordering Example: TPR6-34-200x125-SS

* Insert Material _____

3D step models available upon request

Introduction

Technical Data

Pipe Selection Guide

16 bar, 90° Flare

ANSI 150#, 300# Flare

SAE 1000, 70 bar

SAE 3000, 210 bar

SAE 6000, 420 bar

SAE 10000,

ISO 6164, 400 bar

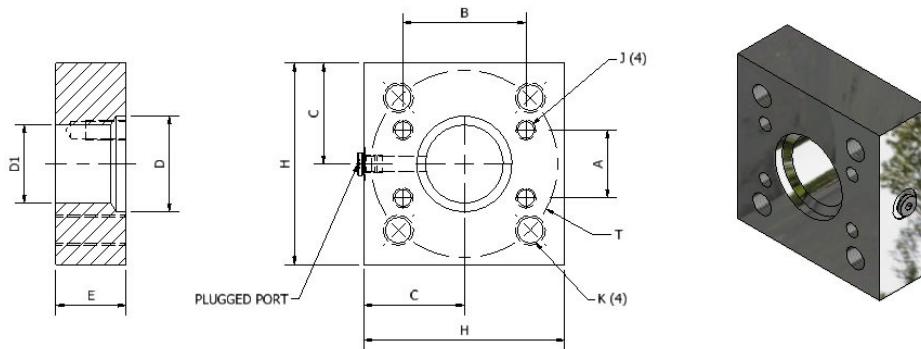
Clamps

Valves, Ball and Check

Machines

SAE 6000 PSI Transition Plate Reducer

SAE J518 Code 62/Code 61 (ISO 6162-2/6162-1) Flange Union Style



TPR7-64 - Transition Plate Reducer Flat Face with Threaded Holes Complete With #4 SAE Port (Plugged), NPS

Size (ISO 6164 x SAE Code 62)	Reducer Part Number	Dimensions (in)								Thread 1 UNC-2B	Thread 2 UNC-2B	WT lbs (kg)	Working Pressure PSI (bar)
		T	A	B	C	D	D1	E	H				
2-1/2" x 1-1/2"	TPR7-64-250x150-*	4.65	1.44	3.13	2.50	2.38	1.50	2.00	5.00	3/4"-10	5/8"-11	11.46 (5.20)	5800 (400)
2-1/2" x 2"	TPR7-64-250x200-*	4.65	1.75	3.81	3.00	2.38	1.94	1.50	6.00	3/4"-10	3/4"-10	8.65 (3.92)	5800 (400)
3" x 2"	TPR7-64-300x200-*	5.71	1.75	3.81	3.00	2.88	1.94	2.25	6.00	1"-8	3/4"-10	17.80 (8.07)	5800 (400)
4" x 2"	TPR7-64-400x200-*	6.89	1.75	3.81	3.50	3.50	1.94	2.25	7.00	1 1/8"-7	3/4"-10	25.54 (11.58)	5800 (400)

TPRM7-64 - Transition Plate Reducer Flat Face with Threaded Holes Complete with G1/8 Port (Plugged), Metric

Size (ISO 6164 x SAE Code 62)	Reducer Part Number	Dimensions (mm)								Thread 1	Thread 2	WT lbs (kg)	Working Pressure PSI (bar)
		T	A	B	C	D	D1	E	H				
2-1/2" x 1-1/2"	TPRM7-64-250x150-*	118.1	36.6	79.5	63.5	60.5	38.1	50.8	127.0	M20 x 2.50	M16 x 2.00	11.49 (5.21)	5800 (400)
2-1/2" x 2"	TPRM7-64-250x200-*	118.1	44.5	96.8	76.2	60.5	49.3	38.1	152.4	M20 x 2.50	M20 x 2.50	8.66 (3.93)	5800 (400)
3" x 2"	TPRM7-64-300x200-*	145.0	44.5	96.8	76.2	73.2	49.3	57.2	152.4	M24 x 3.00	M20 x 2.50	17.84 (8.09)	5800 (400)
4" x 2"	TPRM7-64-400x200-*	175.0	44.5	96.8	88.9	88.9	49.3	57.2	177.8	M30 x 3.50	M20 x 2.50	25.60 (11.61)	5800 (420)

*** Materials:**

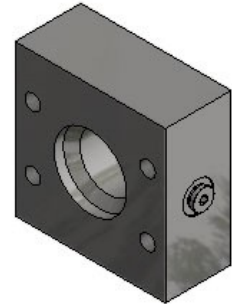
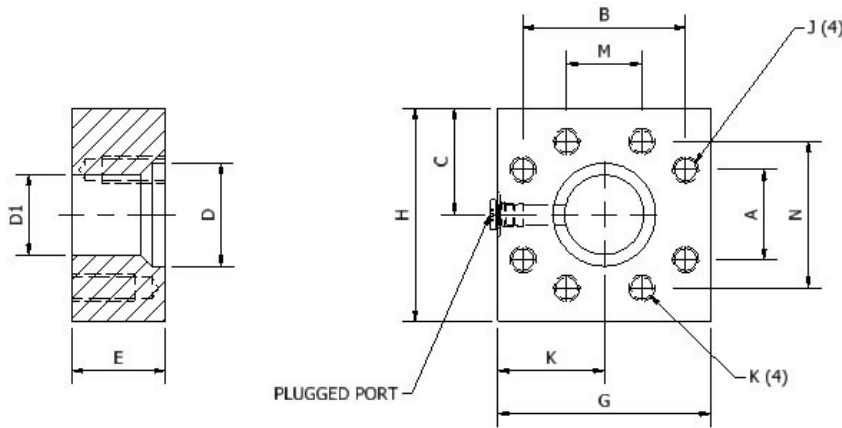
Standard, No Designation = All Carbon Steel, Clear Zinc Plated (Cr6 Free).
SS = All Stainless Steel, Type 316.

Ordering Example: TPR7-64-250x150-SS

* Insert Material _____

SAE 6000 PSI Transition Plate Reducer

SAE J518 Code 62 (ISO 6162-2) Flange Style



TPR64 Transition Plate Reducer Flat Face with UNC Threaded Holes, Complete with #4 SAE Port (Plugged), NPS

Size	Part Number	Dimensions (in)											Thread 1 UNC-2B	Thread 2 UNC-2B	WT lbs (kg)	Working Pressure PSI (bar)
		A	B	C	D	D1	E	G	H	K	M	N				
3/4" x 1/2"	TPR64-075x050-*	0.72	1.59	1.88	0.75	0.50	1.38	3.00	3.25	1.50	0.94	2.00	3/8"-16	5/16"-18	3.43 (1.56)	6000 (420)
1" x 1/2"	TPR64-100x050-*	0.72	1.59	1.50	0.94	0.50	1.38	3.00	3.00	1.50	1.09	2.25	7/16"-14	5/16"-18	3.09 (1.40)	6000 (420)
1" x 3/4"	TPR64-100x075-*	0.94	2.00	1.50	0.94	0.75	1.25	3.00	3.00	1.50	1.09	2.25	7/16"-14	3/8"-16	2.66 (1.21)	6000 (420)
1-1/4" x 3/4"	TPR64-125x075-*	0.94	2.00	2.00	1.25	0.75	1.50	3.00	4.00	1.50	1.25	2.63	1/2"-13	3/8"-16	3.11 (1.41)	6000 (420)
1-1/4" x 1"	TPR64-125x100-*	1.09	2.25	2.00	1.25	0.94	1.25	3.00	4.00	1.50	1.25	2.63	1/2"-13	7/16"-14	3.37 (1.53)	6000 (420)
1-1/2" x 1"	TPR64-150x100-*	1.09	2.25	2.25	1.50	0.94	1.50	3.00	4.50	1.50	1.44	3.13	5/8"-11	7/16"-14	4.62 (2.10)	6000 (420)
1-1/2" x 1-1/4"	TPR64-150x125-*	1.25	2.63	2.25	1.50	1.25	1.50	4.00	4.50	2.00	1.44	3.13	5/8"-11	1/2"-13	6.27 (2.84)	6000 (420)
2" x 1-1/4"	TPR64-200x125-*	1.25	2.63	2.50	1.94	1.25	1.75	4.00	5.00	2.00	1.75	3.81	3/4"-10	1/2"-13	8.03 (3.64)	6000 (420)
2" x 1-1/2"	TPR64-200x150-*	1.44	3.13	2.50	1.94	1.50	1.75	4.00	5.00	2.00	1.75	3.81	3/4"-10	5/8"-11	7.55 (3.42)	6000 (420)

TPRM64 - Transition Plate Reducer Flat Face with Metric Threaded Holes Complete with G1/8 Port (Plugged), Metric

Size	Part Number	Dimensions (mm)											Thread 1	Thread 2	WT lbs (kg)	Working Pressure PSI (bar)
		A	B	C	D	D1	E	G	H	K	M	N				
3/4" x 1/2"	TPRM64-075x050-*	18.3	40.4	47.8	19.1	12.7	38.1	76.2	82.6	38.1	23.9	50.8	M10 x 1.50	M8 x 1.25	3.44 (1.56)	6000 (420)
1" x 1/2"	TPRM64-100x050-*	18.3	40.4	38.1	23.9	12.7	38.1	76.2	76.2	38.1	27.7	57.2	M12 x 1.75	M8 x 1.25	3.09 (1.40)	6000 (420)
1" x 3/4"	TPRM64-100x075-*	23.9	50.8	38.1	23.9	19.1	38.1	76.2	76.2	38.1	27.7	57.2	M12 x 1.75	M10 x 1.50	2.67 (1.21)	6000 (420)
1-1/4" x 3/4"	TPRM64-125x075-*	23.9	50.8	50.8	31.8	19.1	38.1	76.2	101.6	38.1	31.8	66.8	M12 x 1.75	M10 x 1.50	3.11 (1.41)	6000 (420)
1-1/4" ⁽²⁾ x 3/4"	TPRM64-125-M14x075-*	23.9	50.8	50.8	31.8	19.1	38.1	76.2	101.6	38.1	31.8	66.8	M14 x 2.00	M10 x 1.50	3.11 (1.41)	6000 (420)
1-1/4" x 1"	TPRM64-125x100-*	27.7	57.2	50.8	31.8	23.9	31.8	76.2	101.6	38.1	31.8	66.8	M12 x 1.75	M12 x 1.75	3.37 (1.53)	6000 (420)
1-1/4" ⁽²⁾ x 1"	TPRM64-125-M14x100-*	27.7	57.2	50.8	31.8	23.9	31.8	76.2	101.6	38.1	31.8	66.8	M14 x 2.00	M12 x 1.75	3.37 (1.53)	6000 (420)
1-1/2" x 1"	TPRM64-150x100-*	27.7	57.2	57.2	38.1	23.9	38.1	76.2	114.3	38.1	36.6	79.5	M16 x 2.00	M12 x 1.75	4.63 (2.10)	6000 (420)
1-1/2" x 1-1/4"	TPRM64-150x125-*	31.8	66.8	57.2	38.1	31.8	38.1	101.6	114.3	50.8	36.6	79.5	M16 x 2.00	M12 x 1.75	6.28 (2.85)	6000 (420)
1-1/2" x 1-1/4" ⁽²⁾	TPRM64-150x125-M14-*	31.8	66.8	57.2	38.1	31.8	38.1	101.6	114.3	50.8	36.6	79.5	M16 x 2.00	M14 x 2.00	6.28 (2.85)	6000 (420)
2" x 1-1/4"	TPRM64-200x125-*	31.8	66.8	63.5	49.3	31.8	44.5	101.6	127.0	50.8	44.5	96.8	M20 x 2.50	M12 x 1.75	8.05 (3.65)	6000 (420)
2" x 1-1/4" ⁽²⁾	TPRM64-200x125-M14-*	31.8	66.8	63.5	49.3	31.8	44.5	101.6	127.0	50.8	44.5	96.8	M20 x 2.50	M14 x 2.00	8.05 (3.65)	6000 (420)
2" x 1-1/2"	TPRM64-200x150-*	36.6	79.5	63.5	49.3	38.1	44.5	101.6	127.0	50.8	44.5	96.8	M20 x 2.50	M16 x 2.00	7.56 (3.43)	6000 (420)

*** Materials:**

Standard, No Designation = All Carbon Steel, Clear Zinc Plated (Cr6 Free).
 SS = All Stainless Steel, Type 316.

Ordering Example: TPRM64-200x125-SS

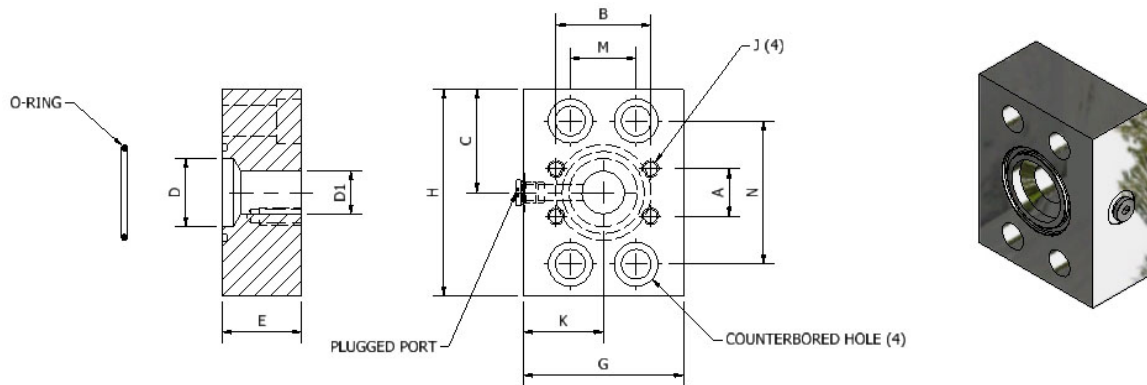
* Insert Material _____

3D step models available upon request

- Introduction
- Technical Data
- Pipe Selection Guide
- 16 bar, 90° Flare
- ANSI 150#, 300# Flare
- SAE 1000, 70 bar
- SAE 3000, 210 bar
- SAE 6000, 420 bar
- SAE 10000, 400 bar
- ISO 6164, 400 bar
- Clamps
- Valves, Ball and Check
- Machines

SAE 6000 PSI Transition Plate Reducer

SAE J518 Code 62/Code 61 (ISO 6162-2/6162-1) Flange Manifold Mount Style



TPRO6-34 - Transition Plate Reducer O-Ring Face with Counterbored Holes Complete with Buna O-Ring and #4 SAE Port (Plugged), NPS

Size (SAE Code 62 x Code 61)	Reducer Part Number	Dimensions (in)										C'T Bore Bolt	Thread UNC-2B	O-Ring (Buna) Part Number	WT lbs (kg)	Working Pressure PSI (bar)	
		A	B	C	D	D1	E	G	H	K	M						N
3/4" x 1/2"	TPRO6-34-075x050*-^	0.69	1.50	1.38	0.75	0.50	1.00	3.00	2.75	1.25	0.94	2.00	3/8"-16	5/16"-18	OR^2-214	2.99 (1.36)	5000 (350)
1" x 1/2"	TPRO6-34-100x050*-^	0.69	1.50	1.50	0.94	0.50	1.50	3.00	3.00	1.75	1.09	2.25	7/16"-14	5/16"-18	OR^2-219	3.16 (1.43)	5000 (350)
1" x 3/4"	TPRO6-34-100x0750*-^	0.88	1.88	1.50	0.94	0.75	1.25	3.00	3.00	1.75	1.09	2.25	7/16"-14	3/8"-16	OR^2-219	3.04 (1.38)	5000 (350)
1-1/4" x 3/4"	TPRO6-34-125x075*-^	0.88	1.88	1.75	1.25	0.75	1.50	3.00	3.50	1.75	1.25	2.62	1/2"-13	3/8"-16	OR^2-222	3.40 (1.54)	5000 (350)
1-1/4" x 1"	TPRO6-34-125x100*-^	1.03	2.06	1.75	1.25	0.94	1.25	3.00	3.50	1.75	1.25	2.62	1/2"-13	3/8"-16	OR^2-222	4.03 (1.83)	5000 (350)
1-1/2" x 1"	TPRO6-34-150x100*-^	1.03	2.06	2.25	1.50	0.94	1.75	3.50	4.50	2.00	1.44	3.13	5/8"-11	3/8"-16	OR^2-225	6.10 (2.77)	5000 (350)
1-1/2" x 1-1/4"	TPRO6-34-150x125*-^	1.19	2.31	2.25	1.50	1.25	1.75	3.00	4.50	1.50	1.44	3.13	5/8"-11	7/16"-14	OR^2-225	4.70 (2.13)	4000 (280)
2" x 1-1/4"	TPRO6-34-200x125*-^	1.19	2.31	2.63	1.94	1.25	1.75	4.00	5.25	2.00	1.75	3.82	3/4"-10	7/16"-14	OR^2-228	7.60 (3.45)	4000 (280)
2" x 1-1/2"	TPRO6-34-200x150*-^	1.41	2.75	2.63	1.94	1.50	1.75	4.00	5.25	2.00	1.75	3.81	3/4"-10	1/2"-13	OR^2-228	7.30 (3.31)	4000 (280)

TPROM6-34 - Transition Plate Reducer O-Ring Face with Counterbored Holes Complete with G1/8 Port (Plugged) - Metric

Size (SAE Code 62 x Code 61)	Reducer Part Number	Dimensions (mm)										C'T Bore Bolt	Thread	O-Ring (Buna) Part Number	WT lbs (kg)	Working Pressure PSI (bar)	
		A	B	C	D	D1	E	G	H	K	M						N
3/4" x 1/2"	TPROM6-34-075x050*-^	17.5	38.1	35.1	19.1	12.7	38.1	76.2	69.9	44.5	23.9	50.8	M10	M8 x 1.25	OR^2-214	2.99 (1.36)	5000 (350)
1" x 1/2"	TPROM6-34-100x050*-^	17.5	38.1	38.1	23.9	12.7	38.1	76.2	76.2	44.5	27.7	57.2	M12	M8 x 1.25	OR^2-219	3.16 (1.43)	5000 (350)
1" x 3/4"	TPROM6-34-100x0750*-^	22.4	47.8	38.1	23.9	19.1	38.1	76.2	76.2	44.5	27.7	57.2	M12	M10 x 1.50	OR^2-219	3.04 (1.38)	5000 (350)
1-1/4" x 3/4"	TPROM6-34-125x075*-^	22.4	47.8	44.5	31.8	19.1	38.1	76.2	88.9	44.5	31.8	66.8	M12	M10 x 1.50	OR^2-222	3.40 (1.54)	5000 (350)
1-1/4" (2) x 3/4"	TPROM6-34-125-M14x075*-^	22.4	47.8	44.5	31.8	19.1	38.1	76.2	88.9	44.5	31.8	66.8	M14	M10 x 1.50	OR^2-222	3.40 (1.54)	5000 (350)
1-1/4" x 1"	TPROM6-34-125x100*-^	26.2	52.3	44.5	31.8	23.9	25.4	76.2	88.9	38.1	31.8	66.8	M12	M10 x 1.50	OR^2-222	4.03 (1.83)	5000 (350)
1-1/4" (2) x 1"	TPROM6-34-125-M14x100*-^	26.2	52.3	44.5	31.8	23.9	25.4	76.2	88.9	38.1	31.8	66.8	M14	M10 x 1.50	OR^2-222	4.03 (1.83)	5000 (350)
1-1/2" x 1"	TPROM6-34-150x100*-^	26.2	52.3	57.2	38.1	23.9	44.5	88.9	114.3	50.8	36.6	79.5	M16	M10 x 1.50	OR^2-225	6.10 (2.77)	5000 (350)
1-1/2" x 1-1/4"	TPROM6-34-150x125*-^	30.2	58.7	57.2	38.1	31.8	44.5	76.2	114.3	38.1	36.6	79.5	M16	M10 x 1.50	OR^2-225	4.70 (2.13)	4000 (280)
2" x 1-1/4"	TPROM6-34-200x125*-^	30.2	58.7	66.8	49.3	31.8	44.5	101.6	133.4	50.8	44.5	96.8	M20	M10 x 1.50	OR^2-228	7.60 (3.45)	4000 (280)
2" x 1-1/2"	TPROM6-34-200x150*-^	35.8	69.9	66.8	49.3	38.1	44.5	101.6	133.4	50.8	44.5	96.8	M20	M12 x 1.75	OR^2-228	7.30 (3.31)	4000 (280)

* Materials:

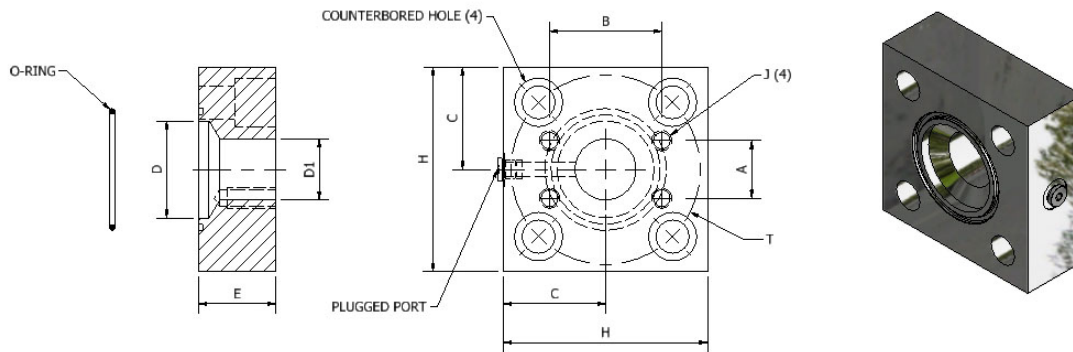
Standard, No Designation = All Carbon Steel, Clear Zinc Plated (Cr6 Free).
SS = All Stainless Steel, Type 316.

Ordering Example: TPRO6-34-200x125-SS

* Insert Material

SAE 6000 PSI Transition Plate Reducer

SAE J518 Code 62/Code 61 (ISO 6162-2/6162-1) Flange Manifold Mount Style



TPRO7-64 - Transition Plate Reducer O-Ring Face with Counterbored Holes Complete with Buna O-Ring and #4 SAE Port (Plugged), NPS

Size (ISO 6164 x SAE Code 62)	Reducer Part Number	Dimensions (in)								C'T Bore Bolt	Thread C'T Bore Bolt UNC-2B	O-Ring (Buna) Part Number	WT lbs (kg)	Working Pressure PSI (bar)
		T	A	B	C	D	D1	E	H					
2-1/2" x 1-1/2"	TPRO7-64-250x150-*	4.65	1.44	3.13	2.50	2.38	1.50	2.00	5.00	3/4"-10	5/8"-11	OR^2-232	10.61 (4.82)	5800 (400)
3" x 2"	TPRO7-64-300x200-*	5.71	1.75	3.81	3.00	2.88	1.94	2.25	6.00	1"-8	3/4"-10	OR^2-237	16.05 (7.30)	5800 (400)
4" x 2"	TPRO7-64-400x200-*	6.89	1.75	3.81	3.50	3.50	1.94	2.25	7.00	11-1/8"-7	3/4"-10	OR^2-241	23.09 (10.50)	5800 (400)

TPRMO7-64 - Transition Plate Reducer O-Ring Face with Counterbored Holes Complete with Buna O-Ring and G1/8 Port (Plugged), Metric

Size (ISO 6164 x SAE Code 62)	Reducer Part Number	Dimensions (mm)								C'T Bore Bolt	Thread	O-Ring (Buna) Part Number	WT lbs (kg)	Working Pressure PSI (bar)
		T	A	B	C	D	D1	E	H					
2-1/2" x 1-1/2"	TPROM7-64-250x150-*	118.1	36.6	79.5	63.5	60.5	38.1	50.8	127.0	M20 x 2.50	M16 x 2.00	OR^2-232	10.61 (4.82)	5800 (400)
3" x 2"	TPROM7-64-300x200-*	145.0	44.5	96.8	76.2	73.2	49.3	57.2	152.4	M24 x 3.00	M20 x 2.50	OR^2-237	16.05 (7.30)	5800 (400)
4" x 2"	TPRM7-64-400x200-*	175.0	44.5	96.8	88.9	88.9	49.3	57.2	177.8	M30 x 3.50	M20 x 2.50	OR^2-241	23.09 (10.50)	5800 (420)

*** Materials:**

Standard, No Designation = All Carbon Steel, Clear Zinc Plated (Cr6 Free).
SS = Stainless Steel, Type 316.

^ O-Ring Type:

Standard, No Designation = Buna Nitrile.
V = Viton.

Ordering Example: TPRO7-64-250x150-SS-V

* Insert Material _____

^ Insert O-Ring Type _____

3D step models available upon request

Introduction

Technical Data

Pipe Selection Guide

16 bar, 90° Flare

ANSI 150#, 300# Flare

SAE 1000, 70 bar

SAE 3000, 210 bar

SAE 6000, 420 bar

SAE 10000, 400 bar

ISO 6164, 400 bar

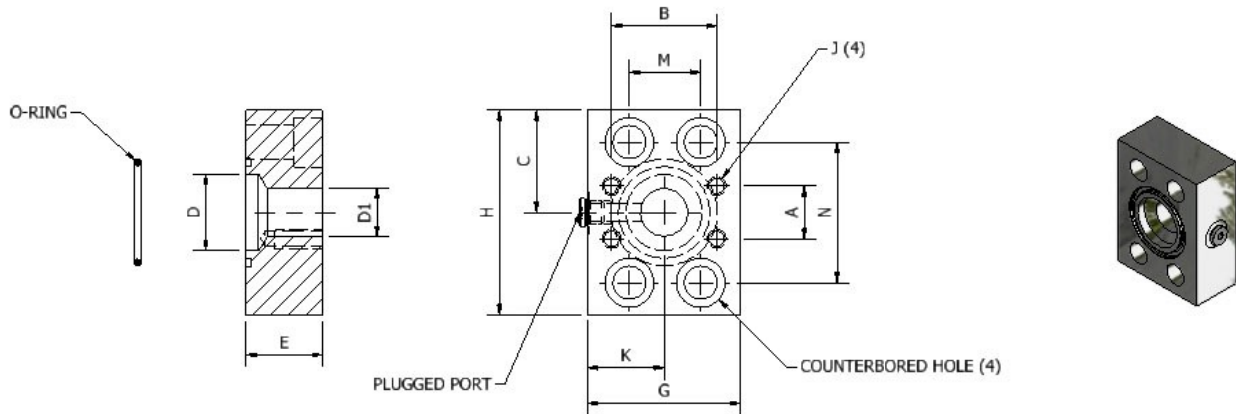
Clamps

Valves, Ball and Check

Machines

SAE 6000 PSI Transition Plate Reducer

SAE J518 Code 62 (ISO 6162-2) Flange Manifold Mount Style



TPRO64 - Transition Plate Reducer O-Ring Face with Counterbored Holes Complete with Buna O-Ring and #4 SAE Port (Plugged), NPS

Size	Reducer Part Number	Dimensions (in)											C'T Bore Bolt	Thread UNC-2B	O-Ring (Buna) Part Number	WT lbs (kg)	Working Pressure PSI (bar)
		A	B	C	D	D1	E	G	H	K	M	N					
3/4" x 1/2"	TPRO64-075x050-*^-^	0.72	1.59	1.50	0.75	0.50	1.00	2.50	3.00	1.25	0.94	2.00	3/8"-16	5/16"-18	OR*-2-214	1.75 (0.79)	6000 (420)
1" x 1/2"	TPRO64-100x050-*^-^	0.72	1.59	1.50	0.94	0.50	1.50	2.50	3.00	1.25	1.09	2.25	7/16"-14	5/16"-18	OR*-2-219	2.34 (1.06)	6000 (420)
1" x 3/4"	TPRO64-100x075-*^-^	0.94	2.00	1.50	0.94	0.75	1.25	3.00	3.00	1.50	1.09	2.25	7/16"-14	3/8"-16	OR*-2-219	2.49 (1.13)	6000 (420)
1-1/4" x 3/4"	TPRO64-125x075-*^-^	0.94	2.00	2.00	1.25	0.75	1.50	3.00	4.00	1.50	1.25	2.63	1/2"-13	3/8"-16	OR*-2-222	4.14 (1.88)	6000 (420)
1-1/4" x 1"	TPRO64-125x100-*^-^	1.09	2.25	2.00	1.25	0.94	1.25	3.00	4.00	1.50	1.25	2.63	1/2"-13	7/16"-14	OR*-2-222	3.24 (1.47)	6000 (420)
1-1/2" x 1"	TPRO64-150x100-*^-^	1.09	2.25	2.25	1.50	0.94	1.50	3.00	4.50	1.50	1.44	3.13	5/8"-11	7/16"-14	OR*-2-225	4.18 (1.90)	6000 (420)
1-1/2" x 1-1/4"	TPRO64-150x125-*^-^	1.25	2.63	2.25	1.50	1.25	1.50	4.00	4.50	2.00	1.44	3.13	5/8"-11	1/2"-13	OR*-2-225	5.12 (2.32)	6000 (420)
2" x 1-1/4"	TPRO64-200x125-*^-^	1.25	2.63	2.50	1.94	1.25	1.75	4.00	5.50	2.00	1.75	3.81	3/4"-10	1/2"-13	OR*-2-228	7.21 (3.27)	6000 (420)
2" x 1-1/2"	TPRO64-200x150-*^-^	1.44	3.13	2.50	1.94	1.50	1.75	5.00	5.50	2.00	1.75	3.81	3/4"-10	5/8"-11	OR*-2-228	7.28 (3.30)	6000 (420)

TPROM64 - Transition Plate Reducer O-Ring Face with Counterbored Holes Complete with Buna O-Ring and G1/8 (Plugged), Metric

Size	Reducer Part Number	Dimensions (mm)											C'T Bore Bolt	Thread	O-Ring (Buna) Part Number	WT lbs (kg)	Working Pressure PSI (bar)
		A	B	C	D	D1	E	G	H	K	M	N					
3/4" x 1/2"	TPROM64-075x050-*^-^	18.3	40.4	38.1	19.1	12.7	24.5	63.5	76.2	31.8	23.9	50.8	M10	M8 x 1.25	OR*-2-214	1.75 (0.79)	6000 (420)
1" x 1/2"	TPROM64-100x050-*^-^	18.3	40.4	38.1	23.9	12.7	38.1	63.5	76.2	31.8	27.7	57.2	M12	M8 x 1.25	OR*-2-219	2.34 (1.06)	6000 (420)
1" x 3/4"	TPROM64-100x075-*^-^	23.9	50.8	38.1	23.9	19.1	31.8	76.2	76.2	38.1	27.7	57.2	M12	M10 x 1.50	OR*-2-219	2.49 (1.13)	6000 (420)
1-1/4" x 3/4"	TPROM64-125x075-*^-^	23.9	50.8	50.8	31.8	19.1	38.1	76.2	101.6	38.1	31.8	66.8	M12	M10 x 1.50	OR*-2-222	4.14 (1.88)	6000 (420)
1-1/4" ⁽²⁾ x 3/4"	TPROM64-125-M14x075-*^-^	23.9	50.8	50.8	31.8	19.1	38.1	76.2	101.6	38.1	31.8	66.8	M14	M10 x 1.50	OR*-2-222	4.14 (1.88)	6000 (420)
1-1/4" x 1"	TPROM64-125x100-*^-^	27.7	57.2	50.8	31.8	23.9	31.8	76.2	101.6	38.1	31.8	66.8	M12	M12 x 1.75	OR*-2-222	3.24 (1.47)	6000 (420)
1-1/4" ⁽²⁾ x 1"	TPROM64-125-M14x100-*^-^	27.7	57.2	50.8	31.8	23.9	31.8	76.2	101.6	38.1	31.8	66.8	M14	M12 x 1.75	OR*-2-222	3.24 (1.47)	6000 (420)
1-1/2" x 1"	TPROM64-150x100-*^-^	27.7	57.2	57.2	38.1	23.9	38.1	76.2	114.3	38.1	36.6	79.5	M16	M12 x 1.75	OR*-2-225	4.18 (1.90)	6000 (420)
1-1/2" x 1-1/4"	TPROM64-150x125-*^-^	31.8	66.8	57.2	38.1	31.8	38.1	101.6	114.3	50.8	36.6	79.5	M16	M12 x 1.75	OR*-2-225	5.12 (2.32)	6000 (420)
1-1/2" x 1-1/4" ⁽²⁾	TPROM64-150x125-M14-*^-^	31.8	66.8	57.2	38.1	31.8	38.1	101.6	114.3	50.8	36.6	79.5	M16	M14 x 2.00	OR*-2-225	5.12 (2.32)	6000 (420)
2" x 1-1/4"	TPROM64-200x125-*^-^	31.8	66.8	63.5	49.3	31.8	44.5	101.6	139.7	50.8	44.5	96.8	M20	M12 x 1.75	OR*-2-228	7.21 (3.27)	6000 (420)
2" x 1-1/4" ⁽²⁾	TPROM64-200x125-M14-*^-^	31.8	66.8	63.5	49.3	31.8	44.5	101.6	139.7	50.8	44.5	96.8	M20	M14 x 2.00	OR*-2-228	7.21 (3.27)	6000 (420)
2" x 1-1/2"	TPROM64-200x150-*^-^	36.6	79.5	63.5	49.3	38.1	44.5	127.0	139.7	63.5	44.5	96.8	M20	M16 x 2.00	OR*-2-228	7.28 (3.30)	6000 (420)

*** Materials:**

Standard, No Designation = All Carbon Steel, Clear Zinc Plated (Cr6 Free).

SS = Stainless Steel, Type 316.

^ O-Ring Type:

Standard, No Designation = Buna Nitrile.

V = Viton.

Ordering Example: TPROM64-200x150-SS-V

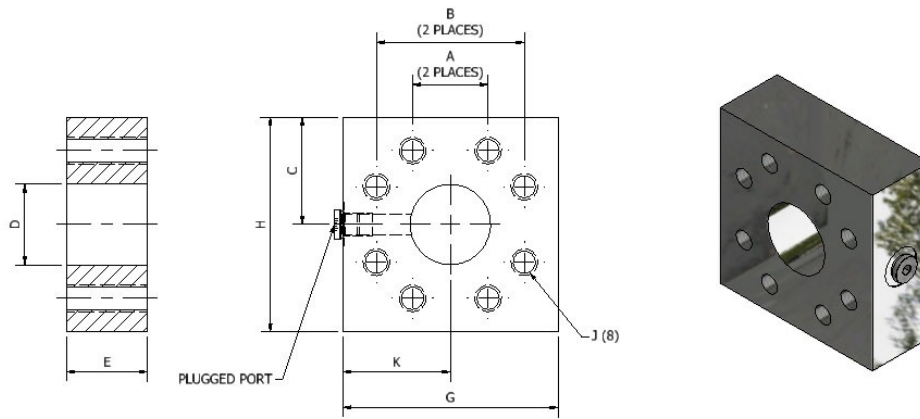
* Insert Material

^ Insert O-Ring Type

3D step models available upon request

SAE 6000 PSI Adapter Plate

SAE J518 Code 62 (ISO 6162-2) Flange Style



AP64 - Adapter Plate Flat Face with Threaded Holes Complete with #4 SAE Port (Plugged), NPS

Size	Adapter Plate Part No	Dimensions (in)								Thread UNC-2B	WT lbs (kg)	Working Pressure PSI (bar)
		A	B	C	D	E	G	H	K			
1/2"	AP64-050-*	0.72	1.59	1.25	0.50	1.00	2.75	2.50	1.38	5/16"-18	1.66 (0.75)	6000 (420)
3/4"	AP64-075-*	0.94	2.00	1.50	0.75	1.00	3.00	3.00	1.50	3/8"-16	2.19 (1.00)	6000 (420)
1"	AP64-100-*	1.098	2.25	1.50	0.94	1.25	3.00	3.00	1.50	7/16"-14	2.10 (0.95)	6000 (420)
1-1/4"	AP64-125-*	1.25	2.63	2.00	1.25	1.25	4.00	4.00	2.00	1/2"-13	5.40 (2.45)	6000 (420)
1-1/2"	AP64-150-*	1.44	3.13	2.00	1.50	1.50	4.00	4.00	2.00	5/8"-1	5.08 (2.31)	6000 (420)
2"	AP64-200-*	1.75	3.81	2.50	1.94	1.50	5.00	5.00	2.50	3/4"-10	8.10 (3.68)	6000 (420)

APM64 - Adapter Plate Flat Face with Threaded Holes Complete with G 1/8 Port (Plugged), Metric

Size (inch)	Adapter Plate Part No	Dimensions (mm)								Thread	WT lbs (kg)	Working Pressure PSI (bar)
		A	B	C	D	E	G	H	K			
1/2"	APM64-050-*	18.3	40.4	31.8	12.7	25.4	69.9	63.5	35.1	M8 x 1.25	1.66 (0.75)	6000 (420)
3/4"	APM64-075-*	23.9	50.8	38.1	19.1	25.4	76.2	76.2	38.1	M10 x 1.50	2.19 (1.00)	6000 (420)
1"	APM64-100-*	27.7	57.2	38.1	23.9	31.8	76.2	76.2	38.1	M12 x 1.75	2.10 (0.95)	6000 (420)
1-1/4"	APM64-125-*	31.8	66.8	50.8	31.8	31.8	101.6	101.6	50.8	M12 x 1.75	5.40 (2.45)	6000 (420)
1-1/4" ⁽²⁾	APM64-125-M14-*	31.8	66.8	50.8	31.8	31.8	101.6	101.6	50.8	M14 x 2.00"	5.40 (2.45)	6000 (420)
1-1/2"	APM64-150-*	36.6	79.5	50.8	38.1	38.1	101.6	101.6	50.8	M16 x 2.00	5.08 (2.31)	6000 (420)
2"	APM64-200-*	44.5	96.8	63.5	49.3	38.1	127.0	127.0	63.5	M20 x 2.50	8.10 (3.68)	6000 (420)

*** Materials:**

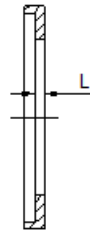
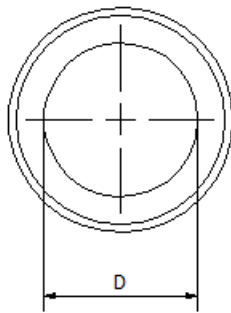
Standard, No Designation = All Carbon Steel, Clear Zinc Plated (Cr6 Free).
 SS = Stainless Steel, Type 316.

Ordering Example: AP64-200-SS

* Insert Material

SAE 6000 PSI O-Ring Connector Plate

SAE J518 Code 62 (ISO 6162-2)



OCP - O-Ring Connector Plate				
Size	Connector Plate Part Number	Dimensions in (mm)		WT lbs (kg)
		D	L	
1/2"	OCP-050-*	0.50 (12.7)	0.13 (3.3)	0.04 (0.02)
3/4"	OCP-075-*	0.75 (19.1)	0.13 (3.3)	0.06 (0.03)
1"	OCP-100-*	0.94 (23.9)	0.13 (3.3)	0.07 (0.03)
1-1/4"	OCP-125-*	1.20 (30.5)	0.13 (3.3)	0.08 (0.04)
1-1/2"	OCP-150-*	1.50 (38.1)	0.13 (3.3)	0.11 (0.05)
2"	OCP-200-*	1.94 (49.3)	0.13 (3.3)	0.13 (0.06)

*** Materials:**

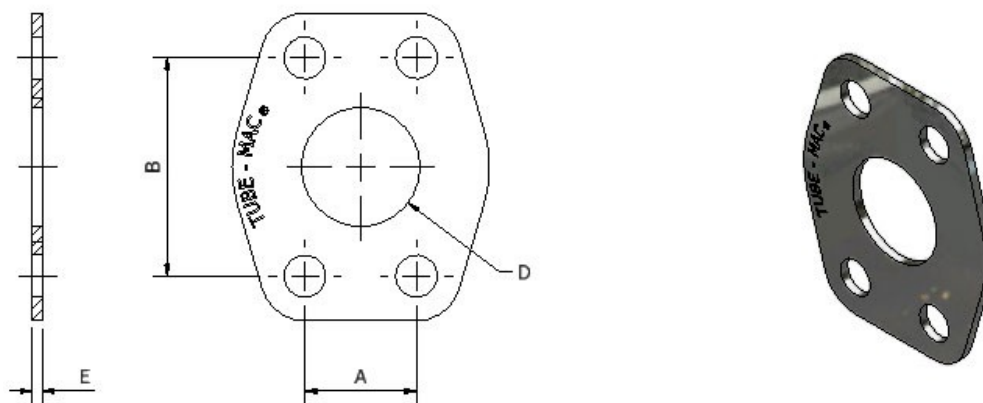
Standard, No Designation = Carbon Steel,
Clear Zinc Plated (Cr6 Free).
SS = Stainless Steel, Type 316.

Ordering Example: OCP-200-SS

* Insert Material _____

SAE 6000 PSI Connector Plate

SAE J518 Code 62 (ISO 6162-2)



CP - Connector Plate						
Size	Part Number	Dimensions in (mm)				WT lbs (kg)
		A	B	D	E	
1/2"	CP64-050	0.72 (18.28)	1.59 (40.39)	0.50 (12.70)	0.12 (3.05)	0.09 (0.04)
3/4"	CP64-075	0.94 (23.88)	2.00 (50.80)	0.75 (19.05)	0.12 (3.05)	0.15 (0.07)
1"	CP64-100	1.09 (27.69)	2.25 (57.15)	1.00 (25.40)	0.12 (3.05)	0.20 (0.09)
1-1/4"	CP64-125	1.25 (31.75)	2.63 (66.80)	1.25 (31.75)	0.12 (3.05)	0.25 (0.11)
1-1/4" ⁽¹⁾	CP64-125-M14	1.25 (31.75)	2.63 (66.80)	1.25 (31.75)	0.12 (3.05)	0.25 (0.11)
1-1/2"	CP64-150	1.44 (36.58)	3.13 (79.50)	1.50 (38.10)	0.12 (3.05)	0.36 (0.16)
2"	CP64-200	1.75 (44.45)	3.81 (96.77)	2.00 (50.80)	0.12 (3.05)	0.49 (0.22)

Note: ⁽¹⁾ Designates M14 Bolt – Special Order

3D step models available upon request

TUBE-MAC.com

Introduction

Technical Data

Pipe Selection Guide

16 bar, 90° Flare

ANSI 150#, 300# Flare

SAE 1000, 70 bar

SAE 3000, 210 bar

SAE 6000, 420 bar

SAE 10000,

ISO 6164, 400 bar

Clamps

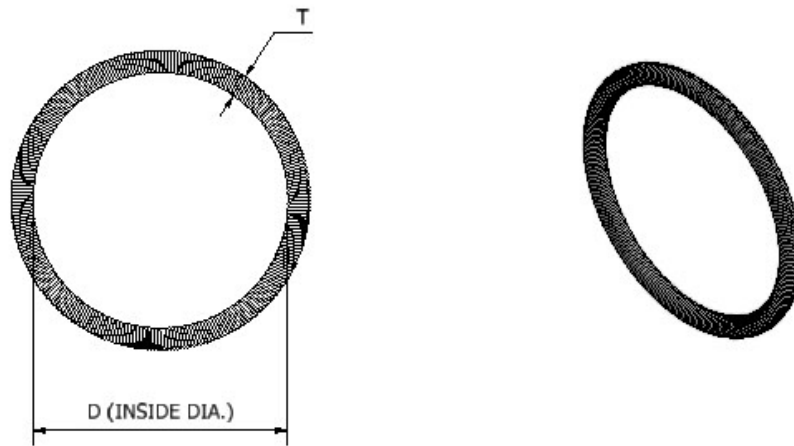
Valves, Ball and Check

Machines

H73

SAE 6000 PSI Retain Ring

SAE J518 Code 62 (ISO 6162-2)



R - Retain Ring				
Size	Retain Ring Part Number	Dimensions in (mm)		WT lbs (kg)
		D	t	
1/2"	R-050	0.85 (21.6)	0.16 (4.1)	0.01 (0.005)
3/4"	R-075	1.24 (31.5)	0.16 (4.1)	0.02 (0.009)
1"	R-100	1.32 (33.5)	0.20 (5.1)	0.03 (0.014)
1-1/4"	R-125	1.59 (40.4)	0.20 (5.1)	0.04 (0.018)
1-1/2"	R-150	1.99 (50.5)	0.20 (5.1)	0.05 (0.023)
2"	R-200	2.38 (60.5)	0.20 (5.1)	0.06 (0.027)

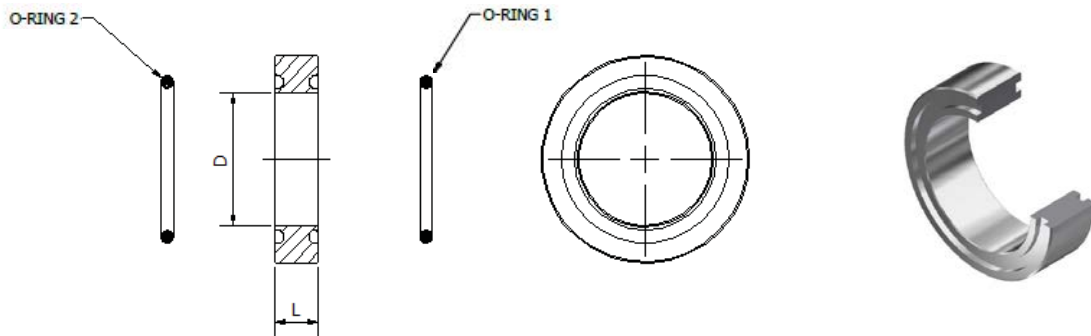
RA - Retain Ring for Grooved NPS Pipe				
Size	Retain Ring Part Number	Dimensions in (mm)		WT lbs (kg)
		D	t	
1-1/2"	RA-150	1.69 (42.93)	0.20 (5.0)	0.04 (0.018)
2"	RA-200	2.16 (54.86)	0.20 (5.0)	0.05 (0.023)

*** Materials:**

Stainless Steel – AISI 302/304 Spring Temper

SAE 6000 PSI O-Ring Spacer

SAE J518 Code 62 (ISO 6162-2)



OS - O-Ring Spacer for Retain Ring Pipe – 1/2" - 2" Complete with Buna O-Rings

Size	Part Number	Dimensions in (mm)		O-Rings 1&2 (Buna) Part Number	WT lbs (kg)
		D	L		
1/2"	OS-050-*^-^	0.55 (14.0)	0.50 (12.7)	OR^-3-909	0.11 (0.05)
3/4"	OS-075-*^-^	0.79 (20.1)	0.50 (12.7)	OR^-3-913	0.18 (0.08)
1"	OS-100-*^-^	0.91 (23.1)	0.50 (12.7)	OR^-3-916	0.21 (0.10)
1-1/4"	OS-125-*^-^	1.18 (30.0)	0.50 (12.7)	OR^-3-918	0.26 (0.12)
1-1/2"	OS-150-*^-^	1.54 (39.1)	0.50 (12.7)	OR^-3-924	0.33 (0.15)
2"	OS-200-*^-^	1.93 (49.0)	0.50 (12.7)	OR^-3-928	0.43 (0.20)

*** Materials:**

Standard, No Designation = All Carbon Steel, Clear Zinc Plated (Cr6 Free).

SS = Stainless Steel, Type 316.

^ O-Ring Type:

Standard, No Designation = Buna Nitrile.

V = Viton.

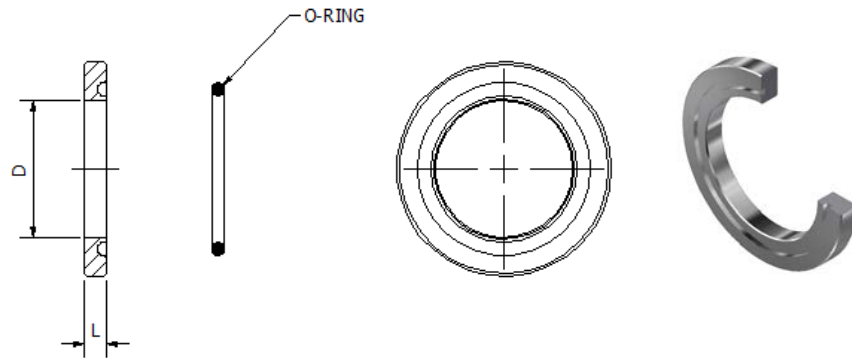
Ordering Example: OS-200-SS-V

* Insert Material
 ^ Insert O-Ring Type

- Introduction
- Technical Data
- Pipe Selection Guide
- 16 bar, 90° Flare
- ANSI 150#, 300# Flare
- SAE 1000, 70 bar
- SAE 3000, 210 bar
- SAE 6000, 420 bar
- SAE 10000,
- ISO 6164, 400 bar
- Clamps
- Valves, Ball and Check
- Machines

SAE 6000 PSI O-Ring Spacer for Retain Ring Pipe to Hose End

SAE J518 Code 62 (ISO 6162-2)



OSH – O-Ring Spacer for Retain Ring Pipe to Hose End

Size	Part Number	Dimensions in (mm)		O-Ring (Buna) Part Number	WT lbs (kg)
		D	L		
1/2"	OSH-050-*^-^	0.55 (14.0)	0.25 (6.4)	OR^-3-909	0.04 (0.02)
3/4"	OSH-075-*^-^	0.79 (20.1)	0.25 (6.4)	OR^-3-913	0.07 (0.03)
1"	OSH-100-*^-^	0.91 (23.1)	0.25 (6.4)	OR^-3-916	0.08 (0.04)
1-1/4"	OSH-125-*^-^	1.18 (30.0)	0.25 (6.4)	OR^-3-918	0.09 (0.04)
1-1/2"	OSH-150-*^-^	1.54 (39.1)	0.25 (6.4)	OR^-3-924	0.12 (0.05)
2"	OSH-200-*^-^	1.91 (48.5)	0.25 (6.4)	OR^-3-928	0.20 (0.09)

*** Materials:**

Standard, No Designation = All Carbon Steel, Clear Zinc Plated (Cr6 Free).

SS = Stainless Steel, Type 316.

^ O-Ring Type:

Standard, No Designation = Buna Nitrile.

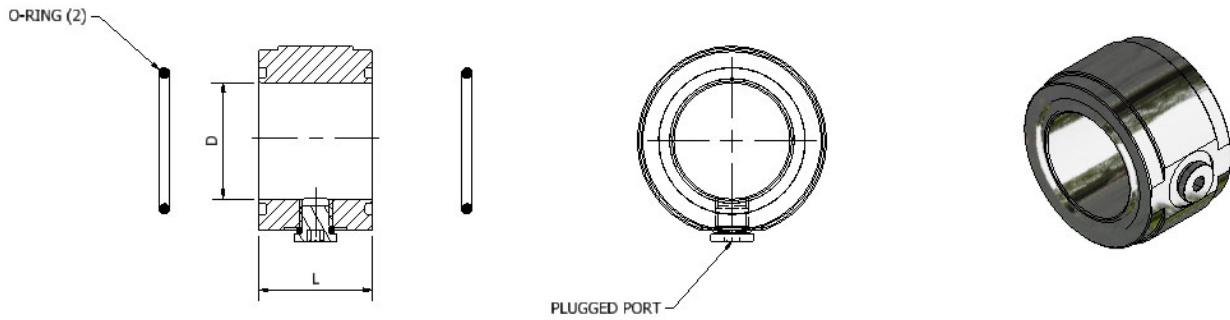
V = Viton.

Ordering Example: OSH-200-SS-V

* Insert Material ————
^ Insert O-Ring Type ————

SAE 6000 PSI O-Ring Spacer with Pilot Port

SAE J518 Code 62 (ISO 6162-2)



OSP - O-Ring Spacer with Pilot Port for Retain Ring Pipe - 1/2" - 3" Complete with Buna O-Rings (Standard) and #4 SAE Port (Plugged)

Size	Part Number	Dimensions in (mm)		O-Rings 1&2 (Buna) Part Number	WT lbs (kg)
		D	L		
1/2"	OSP-050-*^-^	0.55 (14.0)	1.50 (38.1)	OR^-3-909	0.37 (0.17)
3/4"	OSP-075-*^-^	0.79 (20.1)	1.50 (38.1)	OR^-3-913	0.64 (0.29)
1"	OSP-100-*^-^	0.91 (23.1)	1.50 (38.1)	OR^-3-916	0.78 (0.35)
1-1/4"	OSP-125-*^-^	1.18 (30.0)	1.50 (38.1)	OR^-3-918	0.86 (0.39)
1-1/2"	OSP-150-*^-^	1.54 (39.1)	1.50 (38.1)	OR^-3-924	1.40 (0.64)
2"	OSP-200-*^-^	1.91 (48.5)	1.50 (38.1)	OR^-3-928	1.49 (0.68)

*** Materials:**

Standard, No Designation = All Carbon Steel, Clear Zinc Plated (Cr6 Free).
 SS = Stainless Steel, Type 316.

^ O-Ring Type:

Standard, No Designation = Buna Nitrile.
 V = Viton.

Ordering Example: OSP-200-SS-V

* Insert Material

^ Insert O-Ring Type

OSPM - O-Ring Spacer with Metric Pilot Port for Retain Ring Pipe - 1/2" - 3" Complete with Buna O-Rings (Standard) and G1/8 Port (Plugged)

Size	Part Number	Dimensions in (mm)		O-Rings 1&2 (Buna) Part Number	WT lbs (kg)
		D	L		
1/2"	OSPM-050-*^-^	0.55 (14.0)	1.50 (38.1)	OR^-3-909	0.37 (0.17)
3/4"	OSPM-075-*^-^	0.79 (20.1)	1.50 (38.1)	OR^-3-913	0.64 (0.29)
1"	OSPM-100-*^-^	0.91 (23.1)	1.50 (38.1)	OR^-3-916	0.78 (0.35)
1-1/4"	OSPM-125-*^-^	1.18 (30.0)	1.50 (38.1)	OR^-3-918	0.86 (0.39)
1-1/2"	OSPM-150-*^-^	1.54 (39.1)	1.50 (38.1)	OR^-3-924	1.40 (0.64)
2"	OSPM-200-*^-^	1.91 (48.5)	1.50 (38.1)	OR^-3-928	1.49 (0.68)

*** Materials:**

Standard, No Designation = All Carbon Steel, Clear Zinc Plated (Cr6 Free).
 SS = Stainless Steel, Type 316.

^ O-Ring Type:

Standard, No Designation = Buna Nitrile.
 V = Viton.

Ordering Example: OSPM-200-SS-V

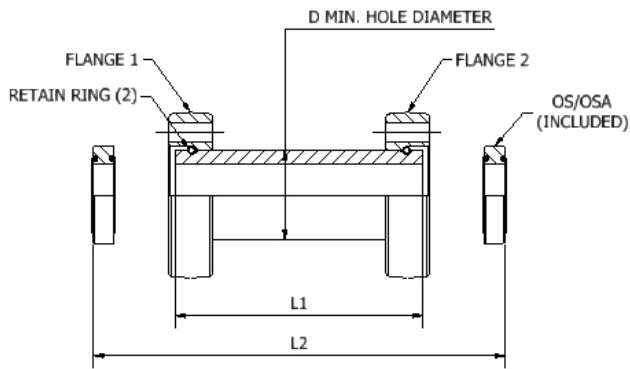
* Insert Material

^ Insert O-Ring Type

3D step models available upon request

SAE 6000 PSI Retain Ring Bulkhead

SAE J518 Code 62 (ISO 6162-2)



Complete Assembly Consists Of:

- One (1) retain ring flange bulkhead body
- Two (2) retain ring flanges
- Two (2) retain rings
- Two (2) o-ring spacers

To be Ordered Separately:

- Bolt Kit
- See page H25

A/RFBH - Retain Ring Flange Bulkhead

Size	Complete Part Number	Dimensions in (mm)			Assembly WT lbs (kg)	Body Only Part Number	Body Only WT lbs (kg)	Working Pressure PSI (bar)
		L1	L2	D				
1/2"	A/RFBH-050-FC64-FC64-*^-^	5.69 (144.6)	6.69 (170)	1.02 (26)	2.16 (0.98)	RFBH-050-*^-^	1.08 (0.49)	6000 (420)
3/4"	A/RFBH-075-FC64-FC64-*^-^	5.69 (144.6)	6.69 (170)	1.42 (36)	4.06 (1.85)	RFBH-075-*^-^	2.00 (0.91)	6000 (420)
1"	A/RFBH-100-FC64-FC64-*^-^	5.69 (144.6)	6.69 (170)	1.54 (39)	4.60 (2.09)	RFBH-100-*^-^	1.80 (0.82)	6000 (420)
1-1/4"	A/RFBH-125-FC64-FC64-*^-^	6.09 (154.6)	7.09 (180)	1.81 (46)	6.92 (3.15)	RFBH-125-*^-^	2.60 (1.18)	6000 (420)
1-1/2"	A/RFBH-150-FC64-FC64-*^-^	6.09 (154.6)	7.09 (180)	2.20 (56)	10.35 (4.70)	RFBH-150-*^-^	3.31 (1.50)	6000 (420)
2"	A/RFBH-200-FC64-FC64-*^-^	7.27 (184.6)	8.27 (210)	2.60 (66)	15.42 (7.00)	RFBH-200-*^-^	4.80 (2.18)	6000 (420)

Flange Options:

Standard, FC64 = SAE 6000 PSI Code 62 (ISO 6162-2) Clearance Flange.

FT64 = SAE 6000 PSI Code 62 (ISO 6162-2) UNC Threaded Flange.

FTM64 = SAE 6000 PSI Code 62 (ISO 6162-2) Metric Threaded Flange.

Materials

No Designation = All Carbon Steel, Clear Zinc Plated (Cr6 Free).

SS = Stainless Steel, Type 316.

^ O-Ring Type:

No Designation = Buna Nitrile.

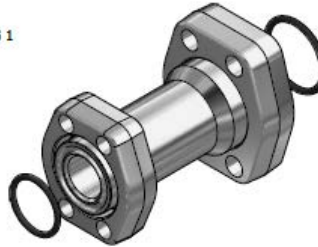
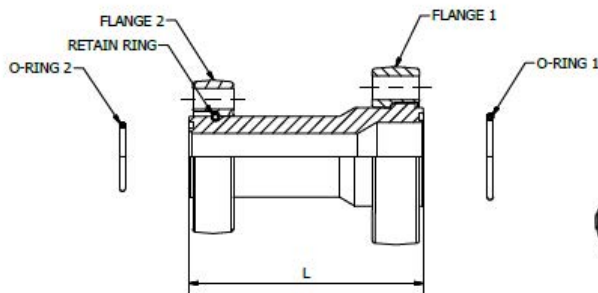
V = Viton.

Ordering Example: A/RFBH-050-FC64-FC64-SS-V



SAE 6000 PSI Retain Ring Flange Concentric Reducer Assembly

SAE J518 Code 62 (ISO 6162-2)



Complete Assembly Consists Of:

- One (1) Concentric Reducer Body
- Two (2) Retain Ring Flanges
- One (1) Retain Ring
- Two (2) Buna O-Rings (Standard)

To be Ordered Separately:

- Bolt Kit
- See page H25

A/CR – Retain Ring Flange Concentric Reducer Assembly

Size	Complete Assembly Part Number	Dimensions in (mm)		O-Ring 1 (Buna) Part Number	O-Ring 2 (Buna) Part Number	Assembly WT lbs (kg)	Body Only Part Number	Body Only WT lbs (kg)	Working Pressure PSI (bar)
		L							
3/4" x 1/2"	A/CR-075x050-FC64-FC64-*^-^	3.72 (94.5)		OR^-3-913	OR^-3-909	2.15 (0.98)	CR-075x050-*^-^	0.88 (0.40)	6000 (420)
1" x 1/2"	A/CR-100x050-FC64-FC64-*^-^	3.72 (94.5)		OR^-3-916	OR^-3-909	2.57 (1.17)	CR-100x050-*^-^	0.97 (0.44)	6000 (420)
1" x 3/4"	A/CR-100x075-FC64-FC64-*^-^	4.50 (114.3)		OR^-3-916	OR^-3-913	3.50 (1.59)	CR-100x075-*^-^	1.49 (0.68)	6000 (420)
1-1/4" x 3/4"	A/CR-125x075-FC64-FC64-*^-^	4.50 (114.3)		OR^-3-918	OR^-3-913	4.42 (2.00)	CR-125x075-*^-^	1.71 (0.78)	6000 (420)
1-1/4" x 1"	A/CR-125x100-FC64-FC64-*^-^	4.50 (114.3)		OR^-3-918	OR^-3-916	4.95 (2.25)	CR-125x100-*^-^	1.90 (0.86)	6000 (420)
1-1/2" x 1"	A/CR-150x100-FC64-FC64-*^-^	4.50 (114.3)		OR^-3-924	OR^-3-916	6.44 (2.93)	CR-150x100-*^-^	2.11 (0.96)	6000 (420)
1-1/2" x 1-1/4"	A/CR-150x125-FC64-FC64-*^-^	5.26 (133.6)		OR^-3-924	OR^-3-918	7.60 (3.45)	CR-150x125-*^-^	2.56 (1.16)	6000 (420)
2" x 1-1/4"	A/CR-200x125-FC64-FC64-*^-^	5.26 (133.6)		OR^-3-928	OR^-3-918	10.22 (4.65)	CR-200x125-*^-^	3.50 (1.59)	6000 (420)
2" x 1-1/2"	A/CR-200x150-FC64-FC64-*^-^	5.26 (133.6)		OR^-3-928	OR^-3-924	11.75 (5.34)	CR-200x150-*^-^	3.74 (1.70)	6000 (420)

Flange Options:

Standard, FC64 = SAE 6000 PSI Code 62 (ISO 6162-2) Clearance Flange.
 FT64 = SAE 6000 PSI Code 62 (ISO 6162-2) UNC Threaded Flange.
 FTM64 = SAE 6000 PSI Code 62 (ISO 6162-2) Metric Threaded Flange.

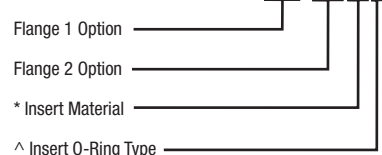
Materials

No Designation = All Carbon Steel, Clear Zinc Plated (Cr6 Free).
 SS = Stainless Steel, Type 316.

^ O-Ring Type:

No Designation = Buna Nitrile.
 V = Viton.

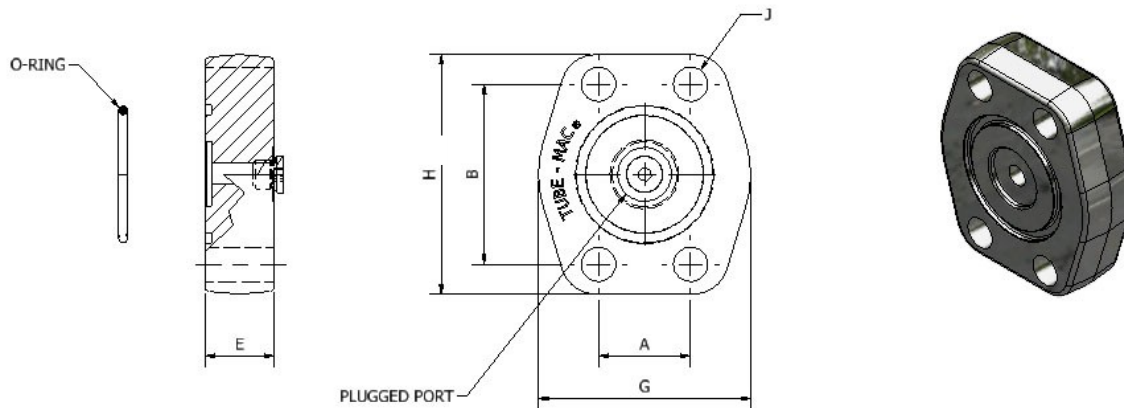
Ordering Example: A/CR-200x125-FC64-FC64-SS-V



3D step models available upon request

SAE 6000 PSI Blanking Flange O-Ring Face with Clearance Holes

SAE J518 Code 62 (ISO 6162-2)



BF064 – Blanking Flange Complete with Buna O-Ring (Standard) and #4 SAE Port (Plugged), NPS

Size	Blanking Flange Part Number	Dimensions (in)					Bolt Size J	O-Ring (Buna) Part Number	Working Pressure PSI (bar)	WT lbs (kg)
		A	B	G	H	E				
1/2"	BF064-050-*^-^	0.72	1.59	1.88	2.22	0.81	5/16"	OR*-2-210	6000 (420)	0.53 (0.24)
3/4"	BF064-075-*^-^	0.94	2.00	2.38	2.81	1.02	3/8"	OR*-2-214	6000 (420)	1.08 (0.49)
1"	BF064-100-*^-^	1.09	2.25	2.75	3.19	1.03	7/16"	OR*-2-219	6000 (420)	1.70 (0.77)
1-1/4"	BF064-125-*^-^	1.25	2.63	3.06	3.75	1.25	1/2"	OR*-2-222	6000 (420)	2.63 (1.20)
1-1/2"	BF064-150-*^-^	1.44	3.13	3.75	4.44	1.38	5/8"	OR*-2-225	6000 (420)	3.90 (1.77)
2"	BF064-200-*^-^	1.75	3.81	4.50	5.25	1.68	3/4"	OR*-2-228	6000 (420)	5.66 (2.57)

BFOM64 – Blanking Flange Complete with Nitrile O-Ring (Standard) and G1/4 BSPP Port (Plugged,) Metric

Size	Blanking Flange Part Number	Dimensions (mm)					Bolt Size J	O-Ring (Buna) Part Number	Working Pressure PSI (bar)	WT lbs (kg)
		A	B	G	H	E				
1/2"	BFOM64-050-*^-^	18.3	40.4	47.8	56.4	20.6	M8	OR*-2-210	6000 (420)	0.53 (0.24)
3/4"	BFOM64-075-*^-^	23.9	50.8	60.5	71.4	25.9	M10	OR*-2-214	6000 (420)	1.08 (0.49)
1"	BFOM64-100-*^-^	27.7	57.2	69.9	81.0	26.2	M12	OR*-2-219	6000 (420)	1.70 (0.77)
1-1/4"	BFOM64-125-*^-^	31.8	66.8	77.7	95.3	31.8	M12	OR*-2-222	6000 (420)	2.63 (1.20)
1-1/2"	BFOM64-150-*^-^	36.6	79.5	95.3	112.8	35.1	M16	OR*-2-225	6000 (420)	3.90 (1.77)
2"	BFOM64-200-*^-^	44.5	96.8	114.3	133.4	42.7	M20	OR^-2-228	6000 (420)	5.66 (2.57)

*** Materials:**

Standard, No Designation = Carbon Steel, Clear Zinc Plated (Cr6 Free).

HDG = Carbon Steel, Hot Dip Galvanized.

SS = Stainless Steel, Type 316.

^ O-Ring Type:

Standard, No Designation = Buna Nitrile.

V = Viton.

Ordering Example: BF064-200-SS-V

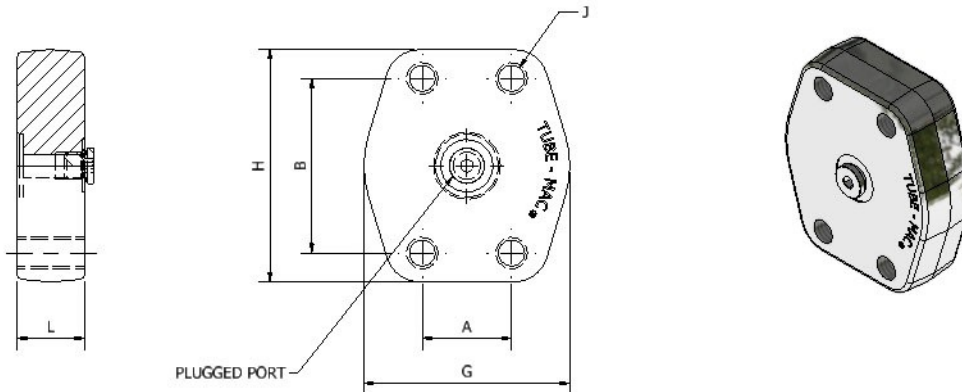
* Insert Material _____

^ Insert O-Ring 2 Type _____

SAE 6000 PSI Blanking Flange

Flat Face with Threaded Holes

SAE J518 Code 62 (ISO 6162-2)



BFF64 – Blanking Flange Flat Face with #4 SAE Port (Plugged) and UNC Threaded Holes, NPS

Size	Blanking Flange Part Number	Dimensions (in)					Thread UNC-2B J	Working Pressure PSI (bar)	WT lbs (kg)
		A	B	G	H	E			
1/2"	BFF64-050-*	.72	1.59	1.88	2.22	0.81	5/16"-18	6000 (420)	0.56 (0.25)
3/4"	BFF64-075-*	.94	2.00	2.38	2.81	1.02	3/8"-16	6000 (420)	1.08 (0.49)
1"	BFF64-100-*	1.09	2.25	2.75	3.19	1.03	7/16"-14	6000 (420)	1.79 (0.81)
1-1/4"	BFF64-125-*	1.25	2.63	3.06	3.75	1.25	1/2"-13	6000 (420)	2.74 (1.25)
1-1/2"	BFF64-150-*	1.44	3.13	3.75	4.44	1.38	5/8"-11	6000 (420)	4.01 (1.82)
2"	BFF64-200-*	1.75	3.81	4.50	5.25	1.68	3/4"-10	6000 (420)	5.82 (2.65)

BFFM64 – Blanking Flange Flat Face with G1/4 BSPP Port (Plugged) and Threaded Holes, Metric

Size	Blanking Flange Part Number	Dimensions (mm)					Thread J	Working Pressure PSI (bar)	WT lbs (kg)
		A	B	G	H	E			
1/2"	BFFM64-050-*	18.3	40.4	47.8	56.4	20.6	M8 x 1.25	6000 (420)	0.56 (0.25)
3/4"	BFFM64-075-*	23.9	50.8	60.5	71.4	25.9	M10 x 1.50	6000 (420)	1.08 (0.49)
1"	BFFM64-100-*	27.7	57.2	69.9	81.0	26.2	M12 x 1.75	6000 (420)	1.79 (0.81)
1-1/4"	BFFM64-125-*	31.8	66.8	77.7	95.3	31.8	M12 x 1.75	6000 (420)	2.74 (1.25)
1-1/2"	BFFM64-150-*	36.6	79.5	95.3	112.8	35.1	M16 x 2.00	6000 (420)	4.01 (1.82)
2"	BFFM64-200-*	44.5	96.8	114.3	133.4	42.7	M20 x 2.50	6000 (420)	5.82 (2.65)

*** Materials:**

Standard, No Designation = Carbon Steel, Clear Zinc Plated (Cr6 Free).

HDG = Carbon Steel, Hot Dip Galvanized.

SS = Stainless Steel, Type 316.

Ordering Example: BFF64-200-SS

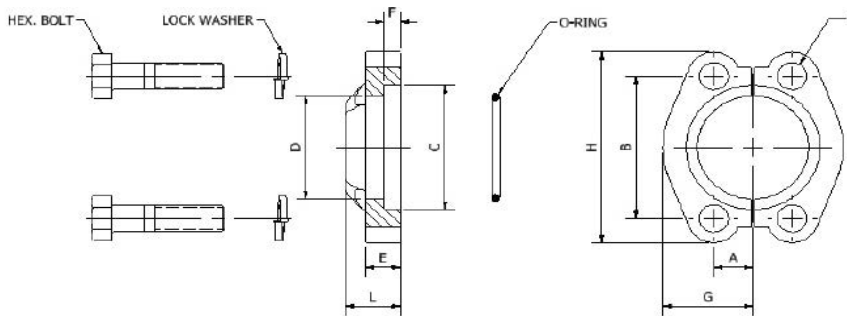
* Insert Material

SAE 6000 PSI Split Flange Kits

SAE J518 Code 62 (ISO 6162-2)

Complete Flange Set Includes:

- One (1) Split Flange (2 Halves)
- Four (4) Hex Head Bolts
- Four (4) Lock Washers
- One (1) Buna O-Ring (Standard)



SFK64 - Split Flange Kit, NPS

Size	Complete Assembly Part Number	Dimensions (in)									Drill Dia. (in) J	HHCS Min. Grade 5 UNC-2A	O-Ring (Buna) Part Number	WT (lbs)	Working Pressure PSI (bar)
		A	B	C	D	E	F	G	H	L					
1/2"	SFK64-050-*^-^	0.36	1.59	1.28	0.97	0.63	0.29	0.94	2.22	0.87	0.34	5/16"-18 x 1.50	OR*-2-210	0.55 (0.25)	6000 (420)
3/4"	SFK64-075-*^-^	0.47	2.00	1.66	1.28	0.75	0.33	1.19	2.81	1.10	0.43	3/8"-16 x 1.50	OR*-2-214	0.93 (0.42)	6000 (420)
1"	SFK64-100-*^-^	0.55	2.25	1.91	1.53	0.94	0.36	1.37	3.19	1.30	0.51	7/16"-14 1.75	OR*-2-219	1.46 (0.66)	6000 (420)
1-1/4"	SFK64-125-*^-^	0.63	2.63	2.16	1.75	1.06	0.39	1.53	3.75	1.50	0.59	1/2"-13 x 1.75	OR*-2-222	2.26 (1.03)	6000 (420)
1-1/2"	SFK64-150-*^-^	0.72	3.13	2.53	2.03	1.18	0.48	1.87	4.44	1.69	0.67	5/8"-11 x 2.25	OR*-2-225	3.91 (1.78)	6000 (420)
2"	SFK64-200-*^-^	0.88	3.81	3.16	2.66	1.46	0.48	2.25	5.25	2.05	0.83	3/4"-10 x 2.75	OR*-2-228	6.48 (2.95)	6000 (420)

SFKM64 - Split Flange Kit, Metric

Size	Complete Assembly Part Number	Dimensions (mm)									Drill Dia. (mm) J	HHCS Min. 10.9	O-Ring (Nitrile) Part Number	WT (kg)	Working Pressure PSI (bar)
		A	B	C	D	E	F	G	H	L					
1/2"	SFKM64-050-*^-^	9.1	40.4	32.5	24.6	16.0	7.4	23.9	56.4	22.1	8.6	M8 x 40	OR*-2-210	0.55 (0.25)	6000 (420)
3/4"	SFKM64-075-*^-^	11.9	50.8	42.2	32.5	19.0	8.4	30.2	71.4	27.9	10.9	M10 x 40	OR*-2-214	0.93 (0.42)	6000 (420)
1"	SFKM64-100-*^-^	14.0	57.2	48.5	38.9	23.9	9.1	34.8	81.0	33.0	13.0	M12 x 45	OR*-2-219	1.46 (0.66)	6000 (420)
1-1/4"	SFKM64-125-*^-^	16.0	66.8	54.9	44.5	26.9	9.9	38.9	95.3	38.1	15.0	M12 x 45	OR*-2-222	2.26 (1.03)	6000 (420)
1-1/2"	SFKM64-150-*^-^	18.3	79.5	64.3	51.6	30.0	12.2	47.5	112.8	42.9	17.0	M16 x 55	OR*-2-225	3.91 (1.78)	6000 (420)
2"	SFKM64-200-*^-^	22.4	96.8	80.3	67.6	37.0	12.2	57.2	133.4	42.1	21.1	M20 x 70	OR*-2-228	6.48 (2.95)	6000 (420)

*** Materials:**

Standard, No Designation = All Carbon Steel, Clear Zinc Plated (Cr6 Free).

SS = All Stainless Steel, Type 316.

^ O-Ring Type:

Standard, No Designation = Buna Nitrile.

V = Viton.

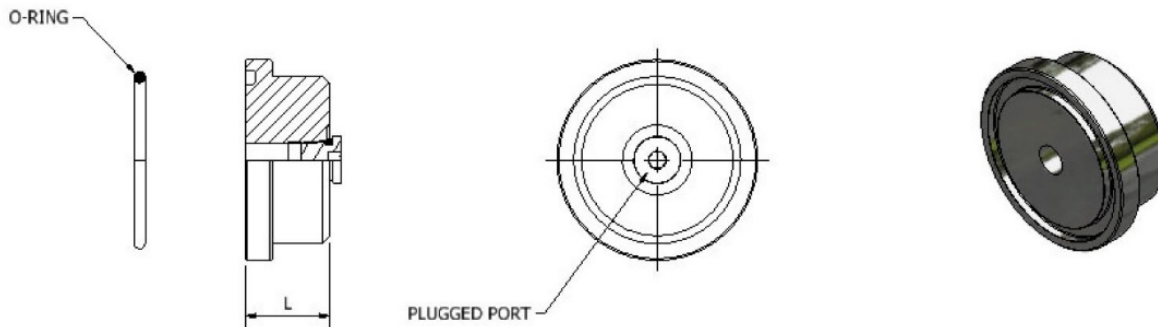
Ordering Example: SFK64-100-SS-V

* Insert Material

^ Insert O-Ring Type

SAE 6000 PSI Split Flange Plugs

SAE J518 Code 62 (ISO 6162-2)



SFP64 - Complete with Buna O-Ring (Standard) and #4 SAE Port (Plugged), NPS

Size	Blanking Flange Part Number	Dimensions (in)	O-Ring (Buna) Part Number	Working Pressure PSI (bar)	WT lbs (kg)
		L			
1/2"	SFP64-050-^	0.88	OR*-2-210	6000 (420)	0.14 (0.06)
3/4"	SFP64-075-^	1.12	OR*-2-214	6000 (420)	0.42 (0.19)
1"	SFP64-100-^	1.38	OR*-2-219	6000 (420)	0.44 (0.2.0)
1-1/4"	SFP64-125-^	1.44	OR*-2-222	6000 (420)	0.96 (0.44)
1-1/2"	SFP64-150-^	1.62	OR*-2-225	6000 (420)	1.58 (0.75)
2"	SFP64-200-^	1.51	OR*-2-228	6000 (420)	2.53 (1.15)

SFPM64 - Complete with Nitrile O-Ring (Standard) and G1/8 BSPP Port (Plugged), Metric

Size	Blanking Flange Part Number	Dimensions (mm)	O-Ring (Nitrile) Part Number	Working Pressure PSI (bar)	WT (kg)
		L			
1/2"	SFPM64-050-^	22.4	OR*-2-210	6000 (420)	0.14 (0.06)
3/4"	SFPM64-075-^	28.4	OR*-2-214	6000 (420)	0.42 (0.19)
1"	SFPM64-100-^	35.1	OR*-2-219	6000 (420)	0.44 (0.2.0)
1-1/4"	SFPM64-125-^	36.6	OR*-2-222	6000 (420)	0.96 (0.44)
1-1/2"	SFPM64-150-^	41.1	OR*-2-225	6000 (420)	1.58 (0.75)
2"	SFPM64-200-^	38.4	OR*-2-228	6000 (420)	2.53 (1.15)

^ O-Ring Type:

Standard, No Designation = Buna Nitrile.

V = Viton.

Ordering Example: SFP64-200-V

^ Insert O-Ring Type

3D step models available upon request

Introduction

Technical Data

Pipe Selection Guide

16 bar, 90° Flare

ANSI 150#, 300# Flare

SAE 1000, 70 bar

SAE 3000, 210 bar

SAE 6000, 420 bar

SAE 10000,

ISO 6164, 400 bar

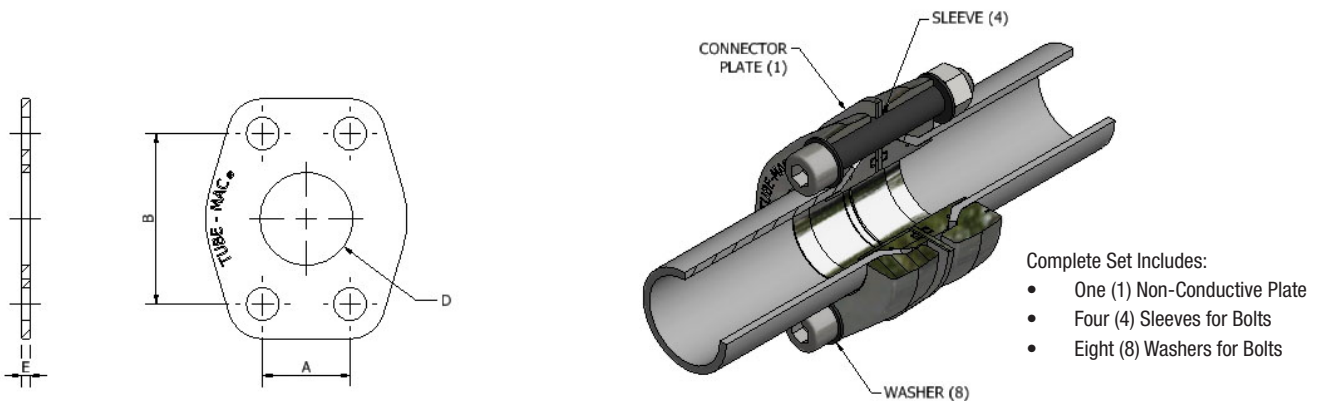
Clamps

Valves, Ball and Check

Machines

SAE 6000 PSI Non-Conductive Connector Plate with Bolt Isolation

SAE J518 Code 62 (ISO 6162-2)



NCCP – Non-Conductive Connector Plate

Size	Part Number	Dimensions in (mm)				WT lbs (kg)
		A	B	D	E	
1/2"	NCCP64-050	0.69 (17.53)	1.50 (38.10)	0.50 (12.70)	0.12 (3.05)	0.09 (0.04)
3/4"	NCCP64-075	0.88 (22.35)	1.88 (47.75)	0.75 (19.05)	0.12 (3.05)	0.12 (0.05)
1"	NCCP64-100	1.03 (26.16)	2.06 (52.32)	0.94 (23.88)	0.12 (3.05)	0.14 (0.06)
1-1/4"	NCCP64-125	1.19 (30.23)	2.31 (58.67)	1.25 (31.75)	0.12 (3.05)	0.20 (0.09)
1-1/2"	NCCP64-150	1.41 (35.81)	2.75 (69.85)	1.50 (38.10)	0.12 (3.05)	0.28 (0.13)
2"	NCCP64-200	1.69 (42.93)	3.06 (77.72)	1.94 (49.28)	0.12 (3.05)	0.33 (0.15)

Notes:

Flanges, Cone Inserts and Bolts Sold Separately
 Must use Two (2) O-Ring Face Cone Inserts