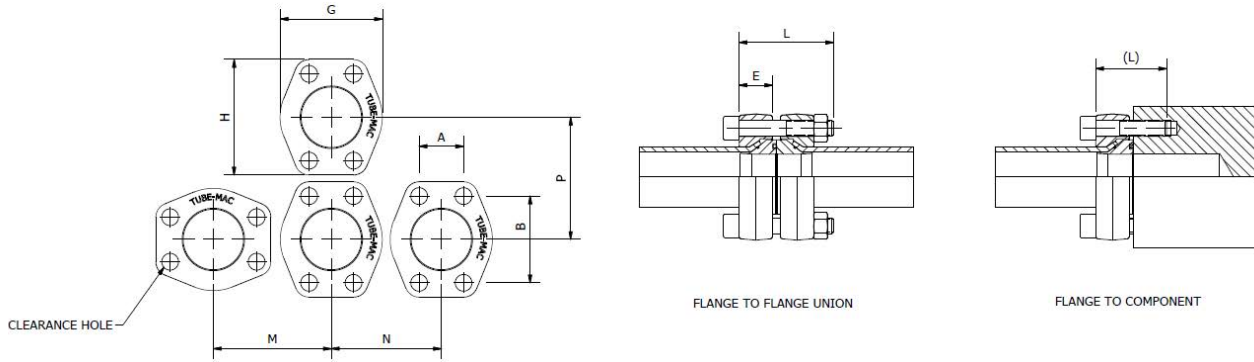


SAE 3000 PSI Flare Flange Dimensions

SAE J518 Code 61 (ISO 6162-1)



Flare Flange Dimensions, NPS

| Size | Dimensions (in) | | | | | | | | SHCS Bolt (in)* L (L) | Working Pressure PSI (Bar) |
|--------|-----------------|------|------|------|------|------|------|------|----------------------------|-------------------------------|
| | A | B | G | H | M | N | P | E | | |
| 1/2" | 0.69 | 1.50 | 1.81 | 2.22 | 2.05 | 1.93 | 2.32 | 0.81 | 5/16"-18 UNC x 2.25 (1.50) | 5000 (350) |
| 3/4" | 0.88 | 1.88 | 2.06 | 2.56 | 2.40 | 2.17 | 2.68 | 0.82 | 3/8"-16 UNC x 2.50 (1.50) | 5000 (350) |
| 1" | 1.03 | 2.06 | 2.31 | 2.76 | 2.64 | 2.44 | 2.87 | 0.87 | 3/8"-16 UNC x 2.50 (1.50) | 5000 (350) |
| 1-1/4" | 1.19 | 2.31 | 2.88 | 3.11 | 3.11 | 2.99 | 3.23 | 0.91 | 7/16"-14 UNC x 2.50 (1.75) | 4000 (280) |
| 1-1/2" | 1.41 | 2.75 | 3.25 | 3.66 | 3.58 | 3.35 | 3.78 | 1.06 | 1/2"-13 UNC x 3.00 (2.00) | 4000 (280) |
| 2" | 1.69 | 3.06 | 3.81 | 4.02 | 4.02 | 3.94 | 4.13 | 1.22 | 1/2"-13 UNC x 3.50 (2.00) | 4000 (280) |
| 2-1/2" | 2.00 | 3.50 | 4.28 | 4.49 | 4.49 | 4.37 | 4.61 | 1.40 | 1/2"-13 UNC x 4.00 (2.50) | 3000 (210) |
| 3" | 2.44 | 4.19 | 5.16 | 5.28 | 5.35 | 5.24 | 5.39 | 1.67 | 5/8"-11 UNC x 4.50 (2.75) | 3000 (210) |

* SHCS Bolt Specification

Carbon Steel: ASTM A574

316 Stainless Steel: ASTM A193 B8M Class 2

Flare Flange Dimensions, Metric

| Size | Dimensions (mm) | | | | | | | | SHCS Bolt (mm)* L (L) | Working Pressure PSI (Bar) |
|--------|-----------------|-------|-------|-------|-------|-------|-------|------|--------------------------|-------------------------------|
| | A | B | G | H | M | N | P | E | | |
| 1/2" | 17.5 | 38.1 | 46.0 | 56.9 | 52.1 | 49.0 | 58.9 | 20.6 | M8 x 60 (40) | 5000 (350) |
| 3/4" | 22.4 | 47.8 | 52.3 | 65.0 | 61.0 | 55.1 | 68.1 | 20.8 | M10 x 65 (40) | 5000 (350) |
| 1" | 26.2 | 52.3 | 58.7 | 70.1 | 67.1 | 62.0 | 72.9 | 22.1 | M10 x 65(40) | 5000 (350) |
| 1-1/4" | 30.2 | 58.7 | 73.2 | 79.0 | 79.0 | 75.9 | 82.0 | 23.1 | M10 x 65 (45) | 4000 (280) |
| 1-1/2" | 35.8 | 69.9 | 82.6 | 93.0 | 90.9 | 85.1 | 96.0 | 26.9 | M12 x 75 (50) | 4000 (280) |
| 2" | 42.9 | 77.7 | 96.8 | 102.1 | 102.1 | 100.1 | 104.9 | 31.0 | M12 x 90 (50) | 4000 (280) |
| 2-1/2" | 50.8 | 88.9 | 108.7 | 114.0 | 114.0 | 111.0 | 117.1 | 35.6 | M12 x 100 (65) | 3000 (210) |
| 3" | 62.0 | 106.4 | 131.1 | 134.1 | 135.9 | 133.1 | 136.9 | 42.4 | M16 x 120 (70) | 3000 (210) |

* SHCS Bolt Specification

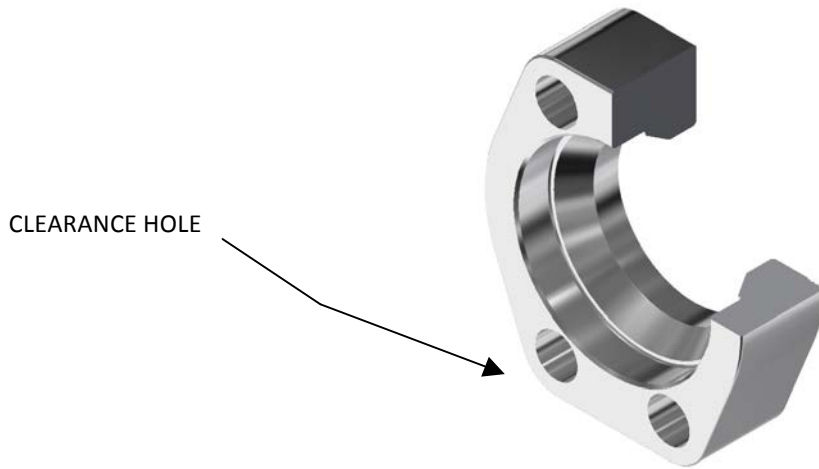
Carbon Steel: DIN912 / ISO4762 Grade 8.8

316 Stainless Steel: DIN912 / ISO4762 A480

3D step models available upon request

SAE 3000 PSI Flare Flange with Clearance Holes, NPS

SAE J518 Code 61 (ISO 6162-1)



| FFC34 - Flare Flange with Clearance Holes, NPS | | | | |
|--|----------------|----------------------|----------------------------|-----------------|
| Size | Pipe O.D. (in) | Standard Part Number | Working Pressure PSI (Bar) | Weight lbs (kg) |
| 1/2" | 0.840 | FFC34-050-* | 5000 (350) | 0.44 (0.20) |
| 3/4" | 1.050 | FFC34-075-* | 5000 (350) | 0.63 (0.29) |
| 1" | 1.315 | FFC34-100-* | 5000 (350) | 0.72 (0.33) |
| 1-1/4" | 1.660 | FFC34-125-* | 4000 (280) | 1.05 (0.48) |
| 1-1/2" | 1.900 | FFC34-150-* | 4000 (280) | 1.59 (0.72) |
| 2" | 2.375 | FFC34-200-* | 4000 (280) | 2.31 (1.05) |
| 2-1/2" | 2.875 | FFC34-250-* | 3000 (210) | 3.02 (1.37) |
| 3" | 3.500 | FFC34-300-* | 3000 (210) | 4.96 (2.25) |

*** Materials:**

Standard, No Designation = Carbon Steel, Clear Zinc Plated (Cr6 Free).

HDG = Carbon Steel, Hot Dip Galvanized.

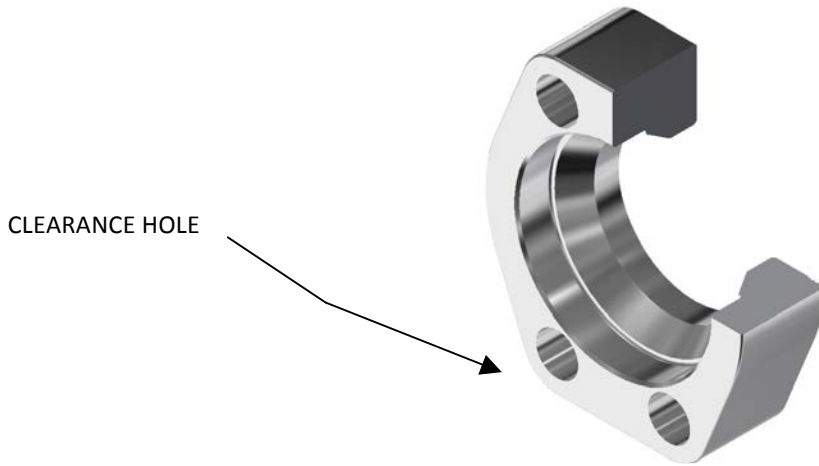
SS = Stainless Steel, Type 316.

Ordering Example: FFC34-200-SS

* Insert Material

SAE 3000 PSI Flare Flange with Clearance Holes, Metric

SAE J518 Code 61 (ISO 6162-1)



FFCM34 – Flare Flange with Clearance Holes, Metric

| Size | Pipe O.D. (mm) | Standard Part Number | Working Pressure PSI (Bar) | Weight lbs (kg) |
|--------|----------------|----------------------|----------------------------|-----------------|
| 1/2" | 16 | FFCM34-050-16MM-* | 5000 (350) | 0.50 (0.23) |
| 1/2" | 18 | FFCM34-050-18MM-* | 5000 (350) | 0.48 (0.22) |
| 1/2" | 20 | FFCM34-050-20MM-* | 5000 (350) | 0.45 (0.20) |
| 1/2" | 25 | FFCM34-050-25MM-* | 5000 (350) | 0.43 (0.20) |
| 3/4" | 20 | FFCM34-075-20MM-* | 5000 (350) | 0.66 (0.30) |
| 3/4" | 25 | FFCM34-075-25MM-* | 5000 (350) | 0.64 (0.29) |
| 3/4" | 30 | FFCM34-075-30MM-* | 5000 (350) | 0.59 (0.27) |
| 1" | 25 | FFCM34-100-25MM-* | 5000 (350) | 0.81 (0.37) |
| 1" | 30 | FFCM34-100-30MM-* | 5000 (350) | 0.74 (0.34) |
| 1" | 38 | FFCM34-100-38MM-* | 5000 (350) | 0.67 (0.30) |
| 1-1/4" | 30 | FFCM34-125-30MM-* | 4000 (280) | 1.23 (0.56) |
| 1-1/4" | 38 | FFCM34-125-38MM-* | 4000 (280) | 1.13 (0.51) |
| 1-1/4" | 42 | FFC34-125-* | 4000 (280) | 1.07 (0.49) |
| 1-1/2" | 30 | FFCM34-150-30MM-* | 4000 (280) | 2.06 (0.93) |
| 1-1/2" | 38 | FFCM34-150-38MM-* | 4000 (280) | 1.90 (0.86) |
| 1-1/2" | 42 | FFCR34-150x125-* | 4000 (280) | 1.94 (0.88) |
| 1-1/2" | 50 | FFCM34-150-50MM-* | 4000 (280) | 1.55 (0.70) |
| 2" | 50 | FFCM34-200-50MM-* | 4000 (280) | 2.61 (1.18) |
| 2" | 60 | FFC34-200-* | 4000 (280) | 2.32 (1.05) |
| 2-1/2" | 60 | FFCR34-250-200-* | 3000 (210) | 3.59 (1.63) |
| 2-1/2" | 73 | FFCM34-250-73MM-* | 3000 (210) | 3.03 (1.37) |
| 2-1/2" | 75 | FFCM34-250-75MM-* | 3000 (210) | 2.97 (1.35) |
| 3" | 75 | FFCM34-300-75MM-* | 3000 (210) | 5.95 (2.70) |
| 3" | 90 | FFCM34-300-90MM-* | 3000 (210) | 4.91 (2.23) |

*** Materials:**

Standard, No Designation = Carbon Steel, Clear Zinc Plated (Cr6 Free).

HDG = Carbon Steel, Hot Dip Galvanized.

SS = Stainless Steel, Type 316.

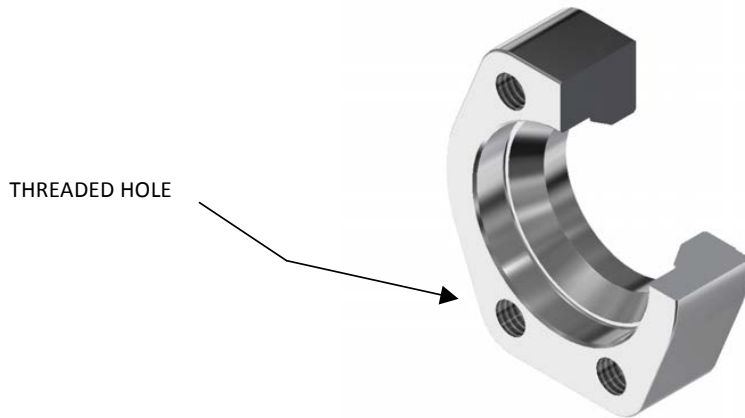
Ordering Example: FFCM34-200-50MM-SS

* Insert Material

3D step models available upon request

SAE 3000 PSI Flare Flange with Threaded Holes, NPS

SAE J518 Code 61 (ISO 6162-1)



FFT34 - Flare Flange with Threaded Holes, NPS

| Size | Pipe O.D. (in) | Standard Part Number | Working Pressure PSI (bar) | Weight lbs (kg) |
|--------|----------------|----------------------|----------------------------|-----------------|
| 1/2" | 0.840 | FFT34-050-* | 5000 (350) | 0.49 (0.22) |
| 3/4" | 1.050 | FFT34-075-* | 5000 (350) | 0.70 (0.32) |
| 1" | 1.315 | FFT34-100-* | 5000 (350) | 0.79 (0.36) |
| 1-1/4" | 1.660 | FFT34-125-* | 4000 (280) | 1.12 (0.51) |
| 1-1/2" | 1.900 | FFT34-150-* | 4000 (280) | 1.70 (0.77) |
| 2" | 2.375 | FFT34-200-* | 4000 (280) | 2.42 (1.10) |
| 2-1/2" | 2.875 | FFT34-250-* | 3000 (210) | 3.16 (1.43) |
| 3" | 3.500 | FFT34-300-* | 3000 (210) | 5.21 (2.36) |

*** Materials:**

Standard, No Designation = Carbon Steel, Clear Zinc Plated (Cr6 Free).

HDG = Carbon Steel, Hot Dip Galvanized.

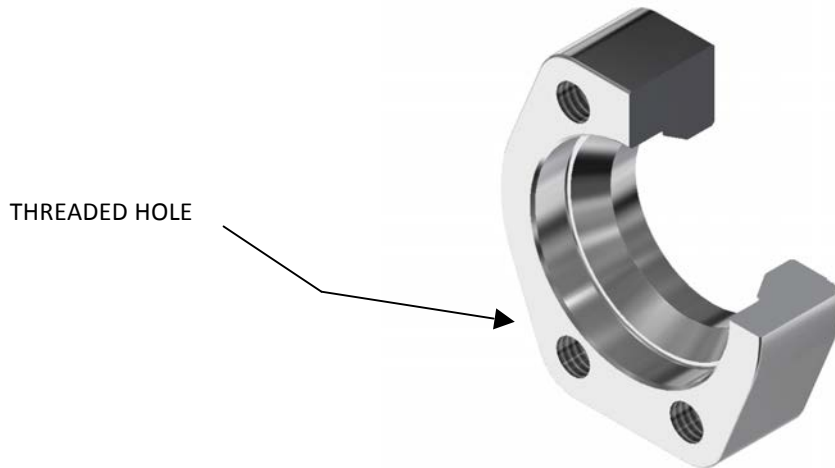
SS = Stainless Steel, Type 316.

Ordering Example: FFT34-200-SS

* Insert Material _____

SAE 3000 PSI Flare Flange with Threaded Holes, Metric

SAE J518 Code 61 (ISO 6162-1)



FFTM34 - Flare Flange with Threaded Holes, Metric

| Size | Pipe O.D. (mm) | Standard Part Number | Working Pressure PSI (Bar) | Weight lbs (kg) |
|--------|----------------|----------------------|----------------------------|-----------------|
| 1/2" | 16 | FFTM34-050-16MM-* | 5000 (350) | 0.54 (0.24) |
| 1/2" | 18 | FFTM34-050-18MM-* | 5000 (350) | 0.52 (0.24) |
| 1/2" | 20 | FFTM34-050-20MM-* | 5000 (350) | 0.49 (0.22) |
| 1/2" | 25 | FFTM34-050-25MM-* | 5000 (350) | 0.47 (0.21) |
| 3/4" | 20 | FFTM34-075-20MM-* | 5000 (350) | 0.72 (0.33) |
| 3/4" | 25 | FFTM34-075-25MM-* | 5000 (350) | 0.70 (0.32) |
| 3/4" | 30 | FFTM34-075-30MM-* | 5000 (350) | 0.64 (0.29) |
| 1" | 25 | FFTM34-100-25MM-* | 5000 (350) | 0.87 (0.39) |
| 1" | 30 | FFTM34-100-30MM-* | 5000 (350) | 0.81 (0.37) |
| 1" | 38 | FFTM34-100-38MM-* | 5000 (350) | 0.73 (0.33) |
| 1-1/4" | 30 | FFTM34-125-30MM-* | 4000 (280) | 1.29 (0.59) |
| 1-1/4" | 38 | FFTM34-125-38MM-* | 4000 (280) | 1.20 (0.54) |
| 1-1/4" | 42 | FFTM34-125-42MM-* | 4000 (280) | 1.15 (0.52) |
| 1-1/2" | 30 | FFTM34-150-30MM-* | 4000 (280) | 2.18 (0.99) |
| 1-1/2" | 38 | FFTM34-150-38MM-* | 4000 (280) | 2.01 (0.91) |
| 1-1/2" | 42 | FFTM34-150-42MM-* | 4000 (280) | 1.82 (0.83) |
| 1-1/2" | 50 | FFTM34-150-50MM-* | 4000 (280) | 1.67 (0.76) |
| 2" | 50 | FFTM34-200-50MM-* | 4000 (280) | 2.68 (1.22) |
| 2" | 60 | FFTM34-200-60MM-* | 4000 (280) | 2.45 (1.11) |
| 2-1/2" | 60 | FFTM34-250-60MM-* | 3000 (210) | 3.75 (1.70) |
| 2-1/2" | 73 | FFTM34-250-73MM-* | 3000 (210) | 3.18 (1.44) |
| 2-1/2" | 75 | FFTM34-250-75MM-* | 3000 (210) | 3.18 (1.44) |
| 3" | 75 | FFTM34-300-75MM-* | 3000 (210) | 6.17 (2.80) |
| 3" | 90 | FFTM34-300-90MM-* | 3000 (210) | 5.13 (2.33) |

*** Materials:**

Standard, No Designation = Carbon Steel, Clear Zinc Plated (Cr6 Free).

HDG = Carbon Steel, Hot Dip Galvanized.

SS = Stainless Steel, Type 316.

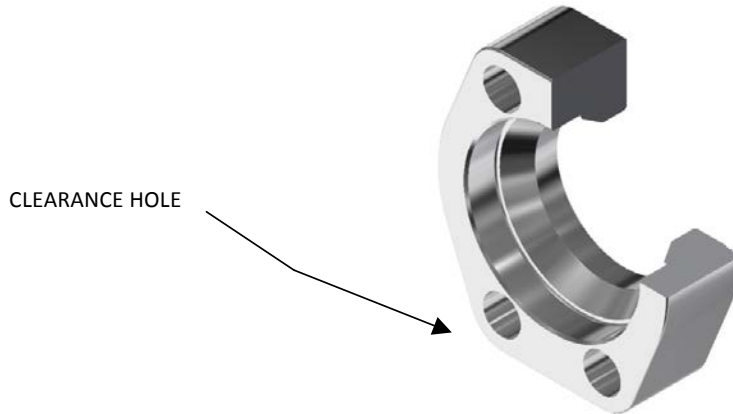
Ordering Example: FFTM34-200-50MM-SS

* Insert Material

3D step models available upon request

SAE 3000 PSI Flare Flange - Reducing with Clearance Holes, NPS

SAE J518 Code 61 (ISO 6162-1)



Note:
Reducing Flanges
for NPS Pipe Only

| FFCR34 - Flare Flange - Reducing with Clearance Holes, NPS | | | |
|--|----------------------|-------------------------------|--------------------|
| Size (flange x pipe) | Standard Part Number | Working Pressure PSI (Bar) | Weight lbs (kg) |
| 3/4" x 1/2" | FFCR34-075 x 050 | 5000 (350) | 0.63 (0.28) |
| 1" x 3/4" | FFCR34-100 x 075 | 5000 (350) | 0.73 (0.33) |
| 1-1/4" x 1" | FFCR34-125 x 100 | 5000 (350) | 1.10 (0.50) |
| 1-1/2" x 1-1/4" | FFCR34-150 x 125 | 4000 (280) | 1.53 (0.69) |
| 2" x 1-1/2" | FFCR34-200 x 150 | 4000 (280) | 2.22 (1.01) |
| 2-1/2" x 2" | FFCR34-250 x 200 | 4000 (280) | 3.60 (1.60) |
| 3" x 2-1/2" | FFCR34-300 x 250 | 3000 (210) | 5.90 (2.68) |

*** Materials:**

Standard, No Designation = Carbon Steel, Clear Zinc Plated (Cr6 Free).

HDG = Carbon Steel, Hot Dip Galvanized.

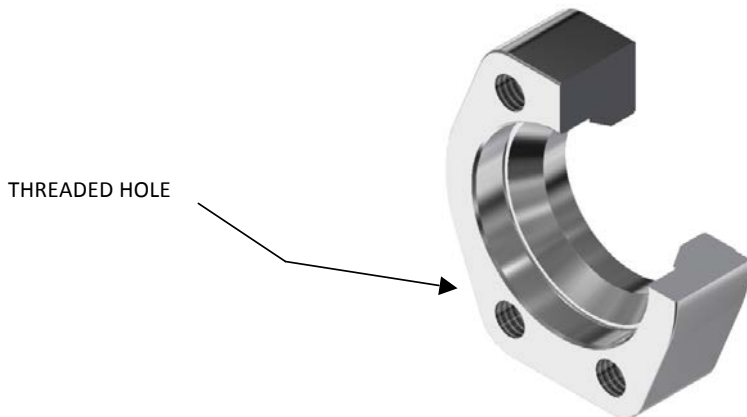
SS = Stainless Steel, Type 316.

Ordering Example: FFCR34-075 x 050-SS

* Insert Material _____

SAE 3000 PSI Flare Flange - Reducing with Threaded Holes, NPS

SAE J518 Code 61 (ISO 6162-1)



Note:
Reducing Flanges
for NPS Pipe Only

| FFTR34 - Flare Flange - Reducing with Threaded Holes, NPS | | | |
|---|----------------------|-------------------------------|--------------------|
| Size (flange x pipe) | Standard Part Number | Working Pressure PSI (Bar) | Weight lbs (kg) |
| 3/4" x 1/2" | FFTR34-075 x 050 | 5000 (350) | 0.63 (0.28) |
| 1" x 3/4" | FFTR34-100 x 075 | 5000 (350) | 0.73 (0.33) |
| 1-1/4" x 1" | FFTR34-125 x 100 | 5000 (350) | 1.10 (0.50) |
| 1-1/2" x 1-1/4" | FFTR34-150 x 125 | 4000 (280) | 1.53 (0.69) |
| 2" x 1-1/2" | FFTR34-200 x 150 | 4000 (280) | 2.22 (1.01) |
| 2-1/2" x 2" | FFTR34-250 x 200 | 4000 (280) | 3.60 (1.60) |
| 3" x 2-1/2" | FFTR34-300 x 250 | 3000 (210) | 5.90 (2.68) |

*** Materials:**

Standard, No Designation = Carbon Steel, Clear Zinc Plated (Cr6 Free).

HDG = Carbon Steel, Hot Dip Galvanized.

SS = Stainless Steel, Type 316.

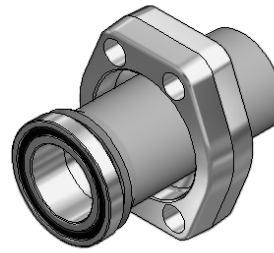
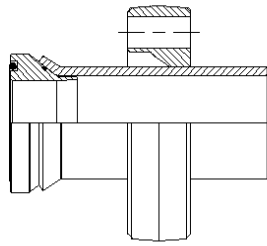
Ordering Example: FFTR34-075 x 050-SS

* Insert Material _____

3D step models available upon request

SAE 3000 PSI Flare Flange Set O-Ring Face with Clearance Holes, NPS

SAE J518 Code 61 (ISO 6162-1)



Complete Flange Set Includes:

- One (1) Flare Flange
- One (1) O-Ring Face Cone
- One (1) Face O-Ring (O-Ring 2)
- One (1) Back Up O-Ring (O-Ring 1)

To be Ordered Separately:

- Bolt Kit (See Page G1)

FFC34 - CO Flare Flange Set - O-Ring Face with Clearance Holes, NPS

| Size | Pipe Size | Complete Flange Set Part Number | WT/Set lbs (kg) | Flange Part Number | O-Ring Face Cone Insert Part Number | O-Ring 1 (VITON) Part Number | O-Ring 2 (Buna) Part Number |
|--------|---------------|---------------------------------|-----------------|--------------------|-------------------------------------|------------------------------|-----------------------------|
| 1/2" | 1/2" SCH40 | FFC34-CO-SCH40-050-*^ | 0.60 (0.27) | FFC34-050-* | CO-SCH40-050-*^ | ORV-1915 | OR^2-210 |
| 1/2" | 1/2" SCH80 | FFC34-CO-SCH80-050-*^ | 0.59 (0.27) | FFC34-050-* | CO-SCH80-050-*^ | ORV-1715 | OR^2-210 |
| 3/4" | 3/4" SCH40 | FFC34-CO-SCH40-075-*^ | 0.72 (0.33) | FFC34-075-* | CO-SCH40-075-*^ | ORV-2515 | OR^2-214 |
| 3/4" | 3/4" SCH80 | FFC34-CO-SCH80-075-*^ | 0.72 (0.33) | FFC34-075-* | CO-SCH80-075-*^ | ORV-2315 | OR^2-214 |
| 1" | 1" SCH40 | FFC34-CO-SCH40-100-*^ | 0.94 (0.43) | FFC34-100-* | CO-SCH40-100-*^ | ORV-3015 | OR^2-219 |
| 1" | 1" SCH80 | FFC34-CO-SCH80-100-*^ | 0.94 (0.43) | FFC34-100-* | CO-SCH80-100-*^ | ORV-2815 | OR^2-219 |
| 1-1/4" | 1-1/4" SCH40 | FFC34-CO-SCH40-125-*^ | 1.26 (0.57) | FFC34-125-* | CO-SCH40-125-*^ | ORV-3815 | OR^2-222 |
| 1-1/4" | 1-1/4" SCH80 | FFC34-CO-SCH80-125-*^ | 1.26 (0.57) | FFC34-125-* | CO-SCH80-125-*^ | ORV-3815 | OR^2-222 |
| 1-1/2" | 1-1/2" SCH40 | FFC34-CO-SCH40-150-*^ | 1.93 (0.88) | FFC34-150-* | CO-SCH40-150-*^ | ORV-4315 | OR^2-225 |
| 1-1/2" | 1-1/2" SCH80 | FFC34-CO-SCH80-150-*^ | 1.95 (0.88) | FFC34-150-* | CO-SCH80-150-*^ | ORV-4315 | OR^2-225 |
| 1-1/2" | 1-1/2" SCH160 | FFC34-CO-SCH160-150-*^ | 2.03 (0.92) | FFC34-150-* | CO-SCH160-150-*^ | ORV-3815 | OR^2-225 |
| 2" | 2" SCH40 | FFC34-CO-SCH40-200-*^ | 2.67 (1.21) | FFC34-200-* | CO-SCH40-200-*^ | ORV-5615 | OR^2-228 |
| 2" | 2" SCH80 | FFC34-CO-SCH80-200-*^ | 2.70 (1.22) | FFC34-200-* | CO-SCH80-200-*^ | ORV-5515 | OR^2-228 |
| 2" | 2" SCH160 | FFC34-CO-SCH160-200-*^ | 2.90 (1.32) | FFC34-200-* | CO-SCH160-200-*^ | ORV-5015 | OR^2-228 |
| 2-1/2" | 2-1/2" SCH40 | FFC34-CO-SCH40-250-*^ | 4.01 (1.82) | FFC34-250-* | CO-SCH40-250-*^ | ORV-2-036 | OR^2-232 |
| 2-1/2" | 2-1/2" SCH80 | FFC34-CO-SCH80-250-*^ | 4.05 (1.84) | FFC34-250-* | CO-SCH80-250-*^ | ORV-2-036 | OR^2-232 |
| 2-1/2" | 2-1/2" SCH160 | FFC34-CO-SCH160-250-*^ | 4.47 (2.03) | FFC34-250-* | CO-SCH160-250-*^ | ORV-5615 | OR^2-232 |
| 3" | 3" SCH40 | FFC34-CO-SCH40-300-*^ | 6.33 (2.87) | FFC34-300-* | CO-SCH40-300-*^ | ORV-2-041 | OR^2-237 |
| 3" | 3" SCH80 | FFC34-CO-SCH80-300-*^ | 6.40 (2.90) | FFC34-300-* | CO-SCH80-300-*^ | ORV-2-041 | OR^2-237 |

*** Materials:**

Standard, No Designation = All Carbon Steel, Clear Zinc Plated (Cr6 Free).

SS = Stainless Steel, Type 316.

ZSS = Carbon Steel Flange with Stainless Steel Cone, Type 316.

HDGSS = Carbon Steel, Hot Dip Galvanized Flange with Stainless Steel Cone, Type 316.

^ O-Ring 2 Type:

Standard, No Designation = Buna Nitrile.

V = Viton.

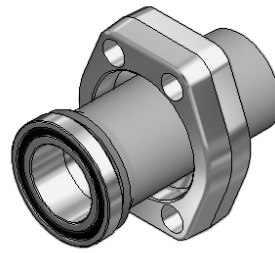
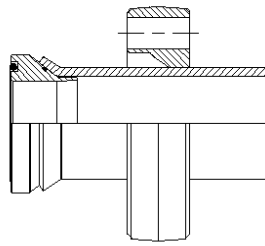
Ordering Example: FFC34-CO-SCH80-200-SS-V

* Insert Material

^ Insert O-Ring 2 Type

SAE 3000 PSI Flare Flange Set O-Ring Face with Clearance Holes, Metric

SAE J518 Code 61 (ISO 6162-1)



Complete Flange Set Includes:

- One (1) Flare Flange
- One (1) O-Ring Face Cone
- One (1) Face O-Ring (O-Ring 2)
- One (1) Back Up O-Ring (O-Ring 1)

To be Ordered Separately:

- Bolt Kit (See Page G1)

FFCM34 - CO - Flare Flange Set O-Ring Face with Clearance Holes, Metric

| Size | Pipe Size | Complete Flange Set Part Number | WT/Set lbs (kg) | Flange Part Number | O-Ring Face Cone Insert Part Number | O-Ring 1 (VITON) Part Number | O-Ring 2 (Buna) Part Number |
|--------|-----------|---------------------------------|-----------------|--------------------|-------------------------------------|------------------------------|-----------------------------|
| 1/2" | 20x2.0 | FFCM34-CO-20x2.0-050-*^ | 0.67 (0.30) | FFCM34-050-20MM-* | CO-20x2.0-050-*^ | ORV-1715 | OR^2-210 |
| 1/2" | 20x3.0 | FFCM34-CO-20x3.0-050-*^ | 0.67 (0.30) | FFCM34-050-20MM-* | CO-20x3.0-050-*^ | ORV-1715 | OR^2-210 |
| 1/2" | 25x2.5 | FFCM34-CO-25x2.5-050-*^ | 0.67 (0.30) | FFCM34-050-25MM-* | CO-25x2.5-050-*^ | ORV-2315 | OR^2-210 |
| 1/2" | 25x3.0 | FFCM34-CO-25x3.0-050-*^ | 0.67 (0.30) | FFCM34-050-25MM-* | CO-25x3.0-050-*^ | ORV-2315 | OR^2-210 |
| 3/4" | 20x2.0 | FFCM34-CO-20x2.0-075-*^ | 0.70 (0.32) | FFCM34-075-20MM-* | CO-20x2.0-075-*^ | ORV-1715 | OR^2-214 |
| 3/4" | 20x2.5 | FFCM34-CO-20x2.5-075-*^ | 0.70 (0.32) | FFCM34-075-20MM-* | CO-20x2.5-075-*^ | ORV-1715 | OR^2-214 |
| 3/4" | 20x3.0 | FFCM34-CO-20x3.0-075-*^ | 0.70 (0.32) | FFCM34-075-20MM-* | CO-20x3.0-075-*^ | ORV-1715 | OR^2-214 |
| 3/4" | 25x2.5 | FFCM34-CO-25x2.5-075-*^ | 0.70 (0.32) | FFCM34-075-25MM-* | CO-25x2.5-075-*^ | ORV-2315 | OR^2-214 |
| 3/4" | 25x3.0 | FFCM34-CO-25x3.0-075-*^ | 0.70 (0.32) | FFCM34-075-25MM-* | CO-25x3.0-075-*^ | ORV-2315 | OR^2-214 |
| 3/4" | 25x4.0 | FFCM34-CO-25x4.0-075-*^ | 0.70 (0.32) | FFCM34-075-25MM-* | CO-25x4.0-075-*^ | ORV-2315 | OR^2-214 |
| 3/4" | 30x3.0 | FFCM34-CO-30x3.0-075-*^ | 0.72 (0.33) | FFCM34-075-30MM-* | CO-30x3.0-075-*^ | ORV-2515 | OR^2-214 |
| 1" | 25x2.5 | FFCM34-CO-25x2.5-100-*^ | 0.82 (0.37) | FFCM34-100-25MM-* | CO-25x2.5-100-*^ | ORV-2315 | OR^2-219 |
| 1" | 25x3.0 | FFCM34-CO-25x3.0-100-*^ | 0.82 (0.37) | FFCM34-100-25MM-* | CO-25x3.0-100-*^ | ORV-2315 | OR^2-219 |
| 1" | 25x4.0 | FFCM34-CO-25x4.0-100-*^ | 0.82 (0.37) | FFCM34-100-25MM-* | CO-25x4.0-100-*^ | ORV-2315 | OR^2-219 |
| 1" | 30x3.0 | FFCM34-CO-30x3.0-100-*^ | 0.84 (0.38) | FFCM34-100-30MM-* | CO-30x3.0-100-*^ | ORV-2815 | OR^2-219 |
| 1" | 30x4.0 | FFCM34-CO-30x4.0-100-*^ | 0.84 (0.38) | FFCM34-100-30MM-* | CO-30x4.0-100-*^ | ORV-2815 | OR^2-219 |
| 1" | 30x5.0 | FFCM34-CO-30x5.0-100-*^ | 0.84 (0.38) | FFCM34-100-30MM-* | CO-30x5.0-100-*^ | ORV-2815 | OR^2-219 |
| 1" | 38x3.0 | FFCM34-CO-38x3.0-100-*^ | 0.85 (0.38) | FFCM34-100-38MM-* | CO-30x5.0-100-*^ | ORV-3515 | OR^2-219 |
| 1" | 38x4.0 | FFCM34-CO-38x4.0-100-*^ | 0.86 (0.39) | FFCM34-100-38MM-* | CO-38x4.0-100-*^ | ORV-3515 | OR^2-219 |
| 1" | 38x5.0 | FFCM34-CO-38x5.0-100-*^ | 0.86 (0.39) | FFCM34-100-38MM-* | CO-38x6.0-100-*^ | ORV-3215 | OR^2-219 |
| 1-1/4" | 30x3.0 | FFCM34-CO-30x3.0-125-*^ | 1.07 (0.49) | FFCM34-125-30MM-* | CO-30x3.0-125-*^ | ORV-2815 | OR^2-222 |
| 1-1/4" | 30x4.0 | FFCM34-CO-30x4.0-125-*^ | 1.07 (0.49) | FFCM34-125-30MM-* | CO-30x4.0-125-*^ | ORV-2815 | OR^2-222 |
| 1-1/4" | 30x5.0 | FFCM34-CO-30x5.0-125-*^ | 1.07 (0.49) | FFCM34-125-30MM-* | CO-30x5.0-125-*^ | ORV-2815 | OR^2-222 |
| 1-1/4" | 38x4.0 | FFCM34-CO-38x4.0-125-*^ | 1.09 (0.50) | FFCM34-125-38MM-* | CO-38x4.0-125-*^ | ORV-3515 | OR^2-222 |
| 1-1/4" | 38x5.0 | FFCM34-CO-38x5.0-125-*^ | 1.09 (0.50) | FFCM34-125-38MM-* | CO-38x5.0-125-*^ | ORV-3015 | OR^2-222 |
| 1-1/4" | 42x3.0 | FFCM34-CO-42x3.0-125-*^ | 1.14 (0.52) | FFC34-125-* | CO-42x3.0-125-*^ | ORV-3815 | OR^2-222 |
| 1-1/4" | 42x4.0 | FFCM34-CO-42x4.0-125-*^ | 1.14 (0.52) | FFC34-125-* | CO-42x4.0-125-*^ | ORV-3815 | OR^2-222 |

*** Materials:**

Standard, No Designation = All Carbon Steel, Clear Zinc Plated (Cr6 Free).

SS = Stainless Steel, Type 316.

ZSS = Carbon Steel Flange with Stainless Steel Cone, Type 316.

HDGSS = Carbon Steel, Hot Dip Galvanized Flange with Stainless Steel Cone, Type 316.

^ O-Ring 2 Type:

Standard, No Designation = Buna Nitrile.

V = Viton.

Ordering Example: FFCM34-CO-SCH80-200-SS-V

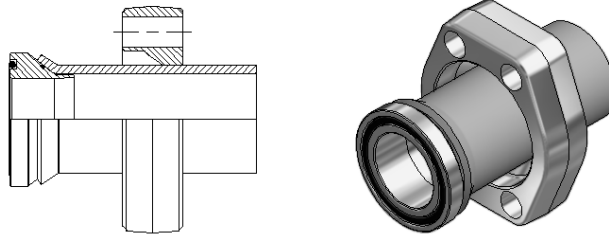
* Insert Material

^ Insert O-Ring 2 Type

3D step models available upon request

SAE 3000 PSI Flare Flange Set O-Ring Face with Clearance Holes, Metric

SAE J518 Code 61 (ISO 6162-1)



Complete Flange Set Includes:

- One (1) Flare Flange
- One (1) O-Ring Face Cone
- One (1) Face O-Ring (O-Ring 2)
- One (1) Back Up O-Ring (O-Ring 1)

To be Ordered Separately:

- Bolt Kit (See Page G1)

FFCM34-CO Flare Flange Set - O-Ring Face with Clearance Holes, Metric

| Size | Pipe Size | Complete Flange Set Part Number | WT/Set lbs (kg) | Flange Part Number | O-Ring Face Cone Insert Part Number | O-Ring 1 (VITON) Part Number | O-Ring 2 (Buna) Part Number |
|--------|-----------|---------------------------------|-----------------|--------------------|-------------------------------------|------------------------------|-----------------------------|
| 1-1/2" | 30x3.0 | FFCM34-CO-30x3.0-150-*^-^ | 1.86 (0.85) | FFCM34-150-30MM-* | CO-30x3.0-150-*^-^ | ORV-2815 | OR^-2-225 |
| 1-1/2" | 38x4.0 | FFCM34-CO-38x4.0-150-*^-^ | 1.89 (0.86) | FFCM34-150-38MM-* | CO-38x4.0-150-*^-^ | ORV-3215 | OR^-2-225 |
| 1-1/2" | 38x6.0 | FFCM34-CO-38x6.0-150-*^-^ | 1.89 (0.86) | FFCM34-150-38MM-* | CO-38x6.0-150-*^-^ | ORV-3215 | OR^-2-225 |
| 1-1/2" | 42x3.0 | FFCM34-CO-42x3.0-150-*^-^ | 1.89 (0.86) | FFCM34-150-42MM-* | CO-42x3.0-150-*^-^ | ORV-3815 | OR^-2-225 |
| 1-1/2" | 42x4.0 | FFCM34-CO-42x4.0-150-*^-^ | 1.89 (0.86) | FFCM34-150-42MM-* | CO-42x4.0-150-*^-^ | ORV-3815 | OR^-2-225 |
| 1-1/2" | 50x3.0 | FFCM34-CO-50x3.0-150-*^-^ | 1.91 (0.87) | FFCM34-150-50MM-* | CO-50x3.0-150-*^-^ | ORV-4715 | OR^-2-225 |
| 1-1/2" | 50x5.0 | FFCM34-CO-50x5.0-150-*^-^ | 1.91 (0.87) | FFCM34-150-50MM-* | CO-50x5.0-150-*^-^ | ORV-4515 | OR^-2-225 |
| 1-1/2" | 50x6.0 | FFCM34-CO-50x6.0-150-*^-^ | 1.91 (0.87) | FFCM34-150-50MM-* | CO-50x6.0-150-*^-^ | ORV-4515 | OR^-2-225 |
| 2" | 50x3.0 | FFCM34-CO-50x3.0-200-*^-^ | 2.61 (1.19) | FFCM34-200-50MM-* | CO-50x3.0-200-*^-^ | ORV-4515 | OR^-2-228 |
| 2" | 50x5.0 | FFCM34-CO-50x5.0-200-*^-^ | 2.61 (1.19) | FFCM34-200-50MM-* | CO-50x5.0-200-*^-^ | ORV-4515 | OR^-2-228 |
| 2" | 50x6.0 | FFCM34-CO-50x6.0-200-*^-^ | 2.61 (1.19) | FFCM34-200-50MM-* | CO-50x6.0-200-*^-^ | ORV-4515 | OR^-2-228 |
| 2" | 60x3.0 | FFCM34-CO-60x3.0-200-*^-^ | 2.63 (1.20) | FFCM34-200-* | CO-60x3.0-200-*^-^ | ORV-5715 | OR^-2-228 |
| 2" | 60x5.0 | FFCM34-CO-60x5.0-200-*^-^ | 2.63 (1.20) | FFCM34-200-* | CO-60x5.0-200-*^-^ | ORV-5615 | OR^-2-228 |
| 2" | 60x6.0 | FFCM34-CO-60x6.0-200-*^-^ | 2.63 (1.20) | FFCM34-200-* | CO-60x6.0-200-*^-^ | ORV-5615 | OR^-2-228 |
| 2-1/2" | 60x5.0 | FFCM34-CO-60x5.0-250-*^-^ | 4.03 (1.83) | FFCM34-250-60MM-* | CO-60x5.0-250-*^-^ | ORV-5615 | OR^-2-232 |
| 2-1/2" | 60x6.0 | FFCM34-CO-60x6.0-250-*^-^ | 4.03 (1.83) | FFCM34-250-60MM-* | CO-60x6.0-250-*^-^ | ORV-5615 | OR^-2-232 |
| 2-1/2" | 73x7.0 | FFCM34-CO-73x7.0-250-*^-^ | 4.07 (1.85) | FFCM34-250-73MM-* | CO-73x7.0-250-*^-^ | ORV-2-232 | OR^-2-232 |
| 2-1/2" | 75x3.0 | FFCM34-CO-75x3.0-250-*^-^ | 4.07 (1.85) | FFCM34-250-75MM-* | CO-75x3.0-250-*^-^ | ORV-6915 | OR^-2-232 |
| 2-1/2" | 75x5.0 | FFCM34-CO-75x5.0-250-*^-^ | 4.07 (1.85) | FFCM34-250-75MM-* | CO-75x5.0-250-*^-^ | ORV-2-036 | OR^-2-232 |
| 2-1/2" | 75x7.0 | FFCM34-CO-75x7.0-250-*^-^ | 4.07 (1.85) | FFCM34-250-75MM-* | CO-75x7.0-250-*^-^ | ORV-6715 | OR^-2-232 |
| 3" | 75x5.0 | FFCM34-CO-75x5.0-300-*^-^ | 5.83 (2.65) | FFCM34-300-75MM-* | CO-75x5.0-300-*^-^ | ORV-2-237 | OR^-2-237 |
| 3" | 90x3.5 | FFCM34-CO-90x3.5-300-*^-^ | 5.92 (2.69) | FFCM34-300-90MM-* | CO-90x3.5-300-*^-^ | ORV-8515 | OR^-2-237 |
| 3" | 90x5.0 | FFCM34-CO-90x5.0-300-*^-^ | 5.92 (2.69) | FFCM34-300-90MM-* | CO-90x5.0-300-*^-^ | ORV-2-040 | OR^-2-237 |

* Materials:

Standard, No Designation = All Carbon Steel, Clear Zinc Plated (Cr6 Free).

SS = Stainless Steel, Type 316.

ZSS = Carbon Steel Flange with Stainless Steel Cone, Type 316.

HDGSS = Carbon Steel, Hot Dip Galvanized Flange with Stainless Steel Cone, Type 316.

^ O-Ring 2 Type:

Standard, No Designation = Buna Nitrile.

V = Viton.

Ordering Example: FFCM34-CO-50x3.0-200-SS-V

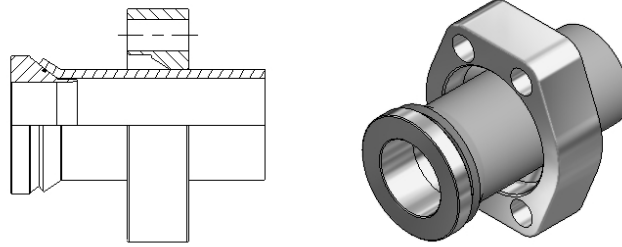
* Insert Material _____

^ Insert O-Ring 2 Type _____

3D step models available upon request

SAE 3000 PSI Flare Flange Set Flat Face with Clearance Holes, NPS

SAE J518 Code 61 (ISO 6162-1)



Complete Flange Set Includes:

- One (1) Flare Flange
- One (1) Flat Face Cone
- One (1) Back Up O-Ring (O-Ring 1)

To be Ordered Separately:

- Bolt Kit (See Page G1)

FFC34-CF - Flare Flange Set Flat Face with Clearance Holes, NPS

| Size | Pipe Size | Complete Flange Set Part Number | WT/Set lbs (kg) | Flange Part Number | Flat Face Cone Insert Part Number | O-Ring 1 (VITON) Part Number |
|--------|---------------|---------------------------------|-----------------|--------------------|-----------------------------------|------------------------------|
| 1/2" | 1/2" SCH40 | FFC34-CF-SCH40-050-* | 0.67 (0.30) | FFC34-050-* | CF-SCH40-050-* | ORV-1915 |
| 1/2" | 1/2" SCH80 | FFC34-CF-SCH80-050-* | 0.66 (0.30) | FFC34-050-* | CF-SCH80-050-* | ORV-1715 |
| 3/4" | 3/4" SCH40 | FFC34-CF-SCH40-075-* | 0.73 (0.33) | FFC34-075-* | CF-SCH40-075-* | ORV-2515 |
| 3/4" | 3/4" SCH80 | FFC34-CF-SCH80-075-* | 0.73 (0.33) | FFC34-075-* | CF-SCH80-075-* | ORV-2315 |
| 1" | 1" SCH40 | FFC34-CF-SCH40-100-* | 0.87 (0.39) | FFC34-100-* | CF-SCH40-100-* | ORV-3015 |
| 1" | 1" SCH80 | FFC34-CF-SCH80-100-* | 0.87 (0.39) | FFC34-100-* | CF-SCH80-100-* | ORV-2815 |
| 1-1/4" | 1-1/4" SCH40 | FFC34-CF-SCH40-125-* | 1.12 (0.51) | FFC34-125-* | CF-SCH40-125-* | ORV-3815 |
| 1-1/4" | 1-1/4" SCH80 | FFC34-CF-SCH80-125-* | 1.12 (0.51) | FFC34-125-* | CF-SCH80-125-* | ORV-3815 |
| 1-1/2" | 1-1/2" SCH40 | FFC34-CF-SCH40-150-* | 1.94 (0.88) | FFC34-150-* | CF-SCH40-150-* | ORV-4315 |
| 1-1/2" | 1-1/2" SCH80 | FFC34-CF-SCH80-150-* | 1.95 (0.88) | FFC34-150-* | CF-SCH80-150-* | ORV-4315 |
| 1-1/2" | 1-1/2" SCH160 | FFC34-CF-SCH160-150-* | 1.94 (0.88) | FFC34-150-* | CF-SCH160-150-* | ORV-3815 |
| 2" | 2" SCH40 | FFC34-CF-SCH40-200-* | 2.69 (1.22) | FFC34-200-* | CF-SCH40-200-* | ORV-5615 |
| 2" | 2" SCH80 | FFC34-CF-SCH80-200-* | 2.70 (1.22) | FFC34-200-* | CF-SCH80-200-* | ORV-5515 |
| 2" | 2" SCH160 | FFC34-CF-SCH160-200-* | 2.88 (1.31) | FFC34-200-* | CF-SCH160-200-* | ORV-5015 |
| 2-1/2" | 2-1/2" SCH40 | FFC34-CF-SCH40-250-* | 4.09 (1.86) | FFC34-250-* | CF-SCH40-250-* | ORV-2-036 |
| 2-1/2" | 2-1/2" SCH80 | FFC34-CF-SCH80-250-* | 4.14 (1.88) | FFC34-250-* | CF-SCH80-250-* | ORV-2-036 |
| 2-1/2" | 2-1/2" SCH160 | FFC34-CF-SCH160-250-* | 4.58 (2.08) | FFC34-250-* | CF-SCH160-250-* | ORV-5615 |
| 3" | 3" SCH40 | FFC34-CF-SCH40-300-* | 5.99 (2.72) | FFC34-300-* | CF-SCH40-300-* | ORV-2-041 |
| 3" | 3" SCH80 | FFC34-CF-SCH80-300-* | 5.88 (2.67) | FFC34-300-* | CF-SCH80-300-* | ORV-2-041 |

* Materials:

Standard, No Designation = All Carbon Steel, Clear Zinc Plated (Cr6 Free).

SS = Stainless Steel, Type 316.

ZSS = Carbon Steel Flange with Stainless Steel Cone, Type 316.

HDGSS = Carbon Steel, Hot Dip Galvanized Flange with Stainless Steel Cone, Type 316.

Ordering Example: FFC34-CF-SCH80-200-SS

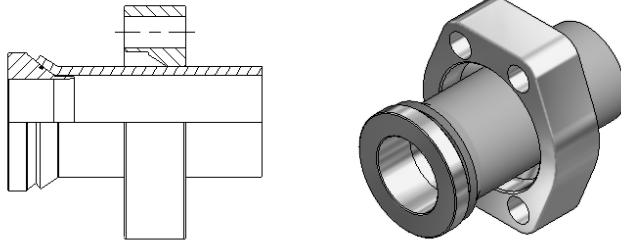
* Insert Material _____

3D step models available upon request

SAE 3000 PSI Flare Flange Set

Flat Face with Clearance Holes, Metric

SAE J518 Code 61 (ISO 6162-1)



Complete Flange Set Includes:

- One (1) Flare Flange
- One (1) Flat Face Cone
- One (1) Back Up O-Ring (O-Ring 1)

To be Ordered Separately:

- Bolt Kit (See Page G1)

FFCM34-CF - Flare Flange Set - Flat Face with Clearance Holes, Metric

| Size | Pipe Size | Complete Flange Set Part Number | WT/Set lbs (kg) | Flange Part Number | Flat Face Cone Insert Part Number | O-Ring 1 (VITON) Part Number |
|--------|-----------|---------------------------------|-----------------|--------------------|-----------------------------------|------------------------------|
| 1/2" | 20x2.0 | FFCM34-CF-20x2.0-050-* | 0.67 (0.30) | FFCM34-050-20MM-* | CF-20x2.0-050-* | ORV-1715 |
| 1/2" | 20x3.0 | FFCM34-CF-20x3.0-050-* | 0.67 (0.30) | FFCM34-050-20MM-* | CF-20x3.0-050-* | ORV-1715 |
| 1/2" | 25x2.5 | FFCM34-CF-25x2.5-050-* | 0.67 (0.30) | FFCM34-050-25MM-* | CF-25x2.5-050-* | ORV-2315 |
| 1/2" | 25x3.0 | FFCM34-CF-25x3.0-050-* | 0.67 (0.30) | FFCM34-050-25MM-* | CF-25x3.0-050-* | ORV-2315 |
| 3/4" | 20x2.0 | FFCM34-CF-20x2.0-075-* | 0.70 (0.32) | FFCM34-075-20MM-* | CF-20x2.0-075-* | ORV-1715 |
| 3/4" | 20x2.5 | FFCM34-CF-20x2.5-075-* | 0.70 (0.32) | FFCM34-075-20MM-* | CF-20x2.5-075-* | ORV-1715 |
| 3/4" | 20x3.0 | FFCM34-CF-20x3.0-075-* | 0.70 (0.32) | FFCM34-075-20MM-* | CF-20x3.0-075-* | ORV-1715 |
| 3/4" | 25x2.5 | FFCM34-CF-25x2.5-075-* | 0.70 (0.32) | FFCM34-075-25MM-* | CF-25x2.5-075-* | ORV-2315 |
| 3/4" | 25x3.0 | FFCM34-CF-25x3.0-075-* | 0.70 (0.32) | FFCM34-075-25MM-* | CF-25x3.0-075-* | ORV-2315 |
| 3/4" | 25x4.0 | FFCM34-CF-25x4.0-075-* | 0.70 (0.32) | FFCM34-075-25MM-* | CF-25x4.0-075-* | ORV-2315 |
| 3/4" | 30x3.0 | FFCM34-CF-30x3.0-075-* | 0.73 (0.33) | FFCM34-075-30MM-* | CF-30x3.0-075-* | ORV-2515 |
| 1" | 25x2.5 | FFCM34-CF-25x2.5-100-* | 0.83 (0.37) | FFCM34-100-25MM-* | CF-25x2.5-100-* | ORV-2315 |
| 1" | 25x3.0 | FFCM34-CF-25x3.0-100-* | 0.83 (0.37) | FFCM34-100-25MM-* | CF-25x3.0-100-* | ORV-2315 |
| 1" | 25x4.0 | FFCM34-CF-25x4.0-100-* | 0.83 (0.37) | FFCM34-100-25MM-* | CF-25x4.0-100-* | ORV-2315 |
| 1" | 30x3.0 | FFCM34-CF-30x3.0-100-* | 0.85 (0.38) | FFCM34-100-30MM-* | CF-30x3.0-100-* | ORV-2815 |
| 1" | 30x4.0 | FFCM34-CF-30x4.0-100-* | 0.85 (0.38) | FFCM34-100-30MM-* | CF-30x4.0-100-* | ORV-2815 |
| 1" | 30x5.0 | FFCM34-CF-30x5.0-100-* | 0.85 (0.38) | FFCM34-100-30MM-* | CF-30x5.0-100-* | ORV-2815 |
| 1" | 38x3.0 | FFCM34-CF-38x3.0-100-* | 0.86 (0.38) | FFCM34-100-38MM-* | CF-38x3.0-100-* | ORV-4515 |
| 1" | 38x4.0 | FFCM34-CF-38x4.0-100-* | 0.87 (0.39) | FFCM34-100-38MM-* | CF-38x4.0-100-* | ORV-3515 |
| 1" | 38x6.0 | FFCM34-CF-38x6.0-100-* | 0.87 (0.39) | FFCM34-100-38MM-* | CF-38x6.0-100-* | ORV-3215 |
| 1-1/4" | 30x3.0 | FFCM34-CF-30x3.0-125-* | 1.08 (0.49) | FFCM34-125-30MM-* | CF-30x3.0-125-* | ORV-2815 |
| 1-1/4" | 30x4.0 | FFCM34-CF-30x4.0-125-* | 1.08 (0.49) | FFCM34-125-30MM-* | CF-30x4.0-125-* | ORV-2815 |
| 1-1/4" | 30x5.0 | FFCM34-CF-30x5.0-125-* | 1.08 (0.49) | FFCM34-125-30MM-* | CF-30x5.0-125-* | ORV-2815 |
| 1-1/4" | 38x4.0 | FFCM34-CF-38x4.0-125-* | 1.10 (0.50) | FFCM34-125-38MM-* | CF-38x4.0-125-* | ORV-3515 |
| 1-1/4" | 38x5.0 | FFCM34-CF-38x5.0-125-* | 1.10 (0.50) | FFCM34-125-38MM-* | CF-38x5.0-125-* | ORV-3215 |
| 1-1/4" | 38x6.0 | FFCM34-CF-38x6.0-125-* | 1.10 (0.50) | FFCM34-125-38MM-* | CF-38x6.0-125-* | ORV-3215 |
| 1-1/4" | 42x3.0 | FFCM34-CF-42x3.0-125-* | 1.15 (0.53) | FFCM34-125-* | CF-42x3.0-125-* | ORV-3815 |
| 1-1/4" | 42x4.0 | FFCM34-CF-42x4.0-125-* | 1.15 (0.53) | FFCM34-125-* | CF-42x4.0-125-* | ORV-3815 |

*** Materials:**

Standard, No Designation = All Carbon Steel, Clear Zinc Plated (Cr6 Free).

SS = Stainless Steel, Type 316.

ZSS = Carbon Steel Flange with Stainless Steel Cone, Type 316.

HDGSS = Carbon Steel, Hot Dip Galvanized Flange with Stainless Steel Cone, Type 316.

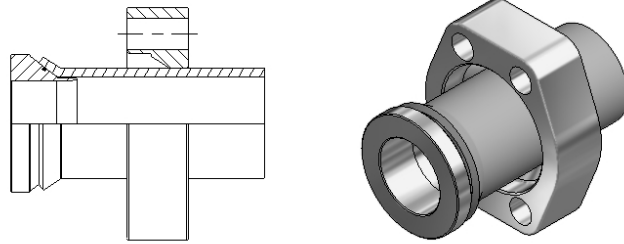
Ordering Example: FFCM34-CF-50x3.0-200-SS

* Insert Material

SAE 3000 PSI Flare Flange Set

Flat Face with Clearance Holes, Metric

SAE J518 Code 61 (ISO 6162-1)



Complete Flange Set Includes:

- One (1) Flare Flange
- One (1) Flat Face Cone
- One (1) Back Up O-Ring (O-Ring 1)

To be Ordered Separately:

- Bolt Kit (See Page G1)

FFCM34-CF - Flare Flange Set - Flat Face with Clearance Holes, Metric

| Size | Pipe Size | Complete Flange Set Part Number | WT/Set lbs (kg) | Flange Part Number | Flat Face Cone Insert Part Number | O-Ring 1 (VITON) Part Number |
|--------|-----------|---------------------------------|-----------------|--------------------|-----------------------------------|------------------------------|
| 1-1/2" | 30x3.0 | FFCM34-CF-30x3.0-150-* | 1.87 (0.85) | FFCM34-150-30MM-* | CF-30x3.0-150-* | ORV-2815 |
| 1-1/2" | 38x4.0 | FFCM34-CF-38x4.0-150-* | 1.91 (0.87) | FFCM34-150-38MM-* | CF-38x4.0-150-* | ORV-3215 |
| 1-1/2" | 38x6.0 | FFCM34-CF-38x6.0-150-* | 1.91 (0.87) | FFCM34-150-38MM-* | CF-38x6.0-150-* | ORV-3215 |
| 1-1/2" | 42x3.0 | FFCM34-CF-42x3.0-150-* | 1.91 (0.87) | FFCM34-150-42MM-* | CF-42x3.0-150-* | ORV-3815 |
| 1-1/2" | 42x4.0 | FFCM34-CF-42x4.0-150-* | 1.91 (0.87) | FFCM34-150-42MM-* | CF-42x4.0-150-* | ORV-3815 |
| 1-1/2" | 50x3.0 | FFCM34-CF-50x3.0-150-* | 1.93 (0.88) | FFCM34-150-50MM-* | CF-50x3.0-150-* | ORV-4715 |
| 1-1/2" | 50x5.0 | FFCM34-CF-50x5.0-150-* | 1.93 (0.88) | FFCM34-150-50MM-* | CF-50x5.0-150-* | ORV-4515 |
| 2" | 50x3.0 | FFCM34-CF-50x3.0-200-* | 2.63 (1.20) | FFCM34-200-50MM-* | CF-50x3.0-200-* | ORV-4515 |
| 2" | 50x5.0 | FFCM34-CF-50x5.0-200-* | 2.63 (1.20) | FFCM34-200-50MM-* | CF-50x5.0-200-* | ORV-4515 |
| 2" | 50x6.0 | FFCM34-CF-50x6.0-200-* | 2.63 (1.20) | FFCM34-200-50MM-* | CF-50x6.0-200-* | ORV-4515 |
| 2" | 60x3.0 | FFCM34-CF-60x3.0-200-* | 2.65 (1.21) | FFC34-200-* | CF-60x3.0-200-* | ORV-5715 |
| 2" | 60x5.0 | FFCM34-CF-60x5.0-200-* | 2.65 (1.21) | FFC34-200-* | CF-60x5.0-200-* | ORV-5615 |
| 2" | 60x6.0 | FFCM34-CF-60x6.0-200-* | 2.65 (1.21) | FFC34-200-* | CF-60x6.0-200-* | ORV-5615 |
| 2-1/2" | 60x5.0 | FFCM34-CF-60x5.0-250-* | 4.07 (1.85) | FFCM34-250-60MM-* | CF-60x5.0-250-* | ORV-5615 |
| 2-1/2" | 60x6.0 | FFCM34-CF-60x6.0-250-* | 4.07 (1.85) | FFCM34-250-60MM-* | CF-60x6.0-250-* | ORV-5615 |
| 2-1/2" | 73x7.0 | FFCM34-CF-73x7.0-250-* | 4.11 (1.87) | FFCM34-250-73MM-* | CF-73x7.0-250-* | ORV-2-232 |
| 2-1/2" | 75x3.0 | FFCM34-CF-75x3.0-250-* | 4.11 (1.87) | FFCM34-250-75MM-* | CF-75x3.0-250-* | ORV-6915 |
| 2-1/2" | 75x5.0 | FFCM34-CF-75x5.0-250-* | 4.11 (1.87) | FFCM34-250-75MM-* | CF-75x5.0-250-* | ORV-2-036 |
| 2-1/2" | 75x7.0 | FFCM34-CF-75x7.0-250-* | 4.11 (1.87) | FFCM34-250-75MM-* | CF-75x7.0-250-* | ORV-6715 |
| 3" | 75x5.0 | FFCM34-CF-75x5.0-300-* | 5.88 (2.67) | FFCM34-300-75MM-* | CF-75x5.0-300-* | ORV-2-237 |
| 3" | 90x3.5 | FFCM34-CF-90x3.5-300-* | 5.97 (2.71) | FFCM34-300-90MM-* | CF-90x3.5-300-* | ORV-8515 |
| 3" | 90x5.0 | FFCM34-CF-90x5.0-300-* | 5.97 (2.71) | FFCM34-300-90MM-* | CF-90x5.0-300-* | ORV-2-040 |

*** Materials:**

Standard, No Designation = All Carbon Steel, Clear Zinc Plated (Cr6 Free).

SS = Stainless Steel, Type 316.

ZSS = Carbon Steel Flange with Stainless Steel Cone, Type 316.

HDGSS = Carbon Steel, Hot Dip Galvanized Flange with Stainless Steel Cone, Type 316.

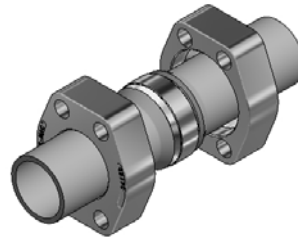
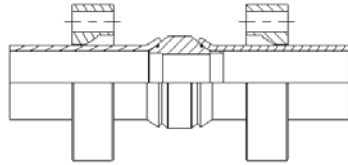
Ordering Example: FFCM34-CF-50x3.0-200-SS

* Insert Material

3D step models available upon request

SAE 3000 PSI Flare Flange Double Cone Union Set with Clearance Holes, NPS

SAE J518 Code 61 (ISO 6162-1)



Complete Flange Set Includes:

- Two (2) Flare Flanges
- One (1) Double Cone
- Two (2) Back Up O-Rings (O-Ring 1)

To be Ordered Separately:

- Bolt Kit (See Page G1)

FFC34-CD - Flare Flange Double Cone Union Set with Clearance Holes, NPS

| Size | Pipe Size | Complete Flange Set Part Number | WT/Set lbs (kg) | Flange Part Number | Flat Face Cone Insert Part Number | O-Ring 1 (VITON) Part Number |
|--------|---------------|---------------------------------|-----------------|--------------------|-----------------------------------|------------------------------|
| 1/2" | 1/2" SCH40 | FFC34-CD-SCH40-050-* | 1.32 (0.59) | FFC34-050-* | CD-SCH40-050-* | ORV-1915 |
| 1/2" | 1/2" SCH80 | FFC34-CD-SCH80-050-* | 1.30 (0.58) | FFC34-050-* | CD-SCH80-050-* | ORV-1715 |
| 3/4" | 3/4" SCH40 | FFC34-CD-SCH40-075-* | 1.37 (0.61) | FFC34-075-* | CD-SCH40-075-* | ORV-2515 |
| 3/4" | 3/4" SCH80 | FFC34-CD-SCH80-075-* | 1.37 (0.61) | FFC34-075-* | CD-SCH80-075-* | ORV-2315 |
| 1" | 1" SCH40 | FFC34-CD-SCH40-100-* | 1.53 (0.69) | FFC34-100-* | CD-SCH40-100-* | ORV-3015 |
| 1" | 1" SCH80 | FFC34-CD-SCH80-100-* | 1.54 (0.69) | FFC34-100-* | CD-SCH80-100-* | ORV-2815 |
| 1-1/4" | 1-1/4" SCH40 | FFC34-CD-SCH40-125-* | 1.61 (0.72) | FFC34-125-* | CD-SCH40-125-* | ORV-3815 |
| 1-1/4" | 1-1/4" SCH80 | FFC34-CD-SCH80-125-* | 1.66 (0.76) | FFC34-125-* | CD-SCH80-125-* | ORV-3815 |
| 1-1/2" | 1-1/2" SCH40 | FFC34-CD-SCH40-150-* | 2.00 (0.91) | FFC34-150-* | CD-SCH40-150-* | ORV-4315 |
| 1-1/2" | 1-1/2" SCH80 | FFC34-CD-SCH80-150-* | 2.02 (0.92) | FFC34-150-* | CD-SCH80-150-* | ORV-4315 |
| 1-1/2" | 1-1/2" SCH160 | FFC34-CD-SCH160-150-* | 2.01 (0.91) | FFC34-150-* | CD-SCH160-150-* | ORV-3815 |
| 2" | 2" SCH40 | FFC34-CD-SCH40-200-* | 2.12 (0.97) | FFC34-200-* | CD-SCH40-200-* | ORV-5615 |
| 2" | 2" SCH80 | FFC34-CD-SCH80-200-* | 2.15 (0.98) | FFC34-200-* | CD-SCH80-200-* | ORV-5515 |
| 2" | 2" SCH160 | FFC34-CD-SCH160-200-* | 2.49 (1.13) | FFC34-200-* | CD-SCH160-200-* | ORV-5015 |
| 2-1/2" | 2-1/2" SCH40 | FFC34-CD-SCH40-250-* | 3.18 (1.44) | FFC34-250-* | CD-SCH40-250-* | ORV-2-036 |
| 2-1/2" | 2-1/2" SCH80 | FFC34-CD-SCH80-250-* | 3.23 (1.46) | FFC34-250-* | CD-SCH80-250-* | ORV-2-036 |
| 2-1/2" | 2-1/2" SCH160 | FFC34-CD-SCH160-250-* | 4.05 (1.84) | FFC34-250-* | CD-SCH160-250-* | ORV-5615 |
| 3" | 3" SCH40 | FFC34-CD-SCH40-300-* | 3.86 (1.75) | FFC34-300-* | CD-SCH40-300-* | ORV-2-041 |
| 3" | 3" SCH80 | FFC34-CD-SCH80-300-* | 3.65 (1.65) | FFC34-300-* | CD-SCH80-300-* | ORV-2-041 |

*** Materials:**

Standard, No Designation = All Carbon Steel, Clear Zinc Plated (Cr6 Free).

SS = Stainless Steel, Type 316.

ZSS = Carbon Steel Flange with Stainless Steel Cone, Type 316.

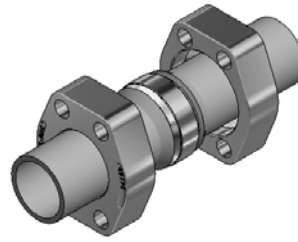
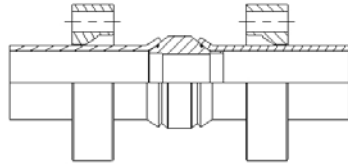
HDGSS = Carbon Steel, Hot Dip Galvanized Flange with Stainless Steel Cone, Type 316.

Ordering Example: FFCM34-CD-50x3.0-200-SS

* Insert Material

SAE 3000 PSI Flare Flange Double Cone Union Set with Clearance Holes, Metric

SAE J518 Code 61 (ISO 6162-1)



Complete Flange Set Includes:

- Two (2) Flare Flanges
- One (1) Double Cone
- Two (2) Back Up O-Rings (O-Ring 1)

To be Ordered Separately:

- Bolt Kit (See Page G1)

FFCM34-CD - Flare Flange Double Cone Union Set with Clearance Holes, Metric

| Size | Pipe Size | Complete Flange Set Part Number | WT/Set lbs (kg) | Flange Part Number | Double Cone Insert Part Number | O-Ring 1 (VITON) Part Number |
|--------|-----------|---------------------------------|-----------------|--------------------|--------------------------------|------------------------------|
| 1/2" | 20x2.0 | FFCM34-CD-20x2.0-050-* | 1.33 (0.60) | FFCM34-050-20MM-* | CD-20x2.0-050-* | ORV-1715 |
| 1/2" | 20x3.0 | FFCM34-CD-20x3.0-050-* | 1.33 (0.60) | FFCM34-050-20MM-* | CD-20x3.0-050-* | ORV-1715 |
| 1/2" | 25x2.5 | FFCM34-CD-25x2.5-050-* | 1.33 (0.60) | FFCM34-050-25MM-* | CD-25x2.5-050-* | ORV-2315 |
| 1/2" | 25x3.0 | FFCM34-CD-25x3.0-050-* | 1.33 (0.60) | FFCM34-050-25MM-* | CD-25x3.0-050-* | ORV-2315 |
| 3/4" | 20x2.0 | FFCM34-CD-20x2.0-075-* | 1.39 (0.64) | FFCM34-075-20MM-* | CD-20x2.0-075-* | ORV-1715 |
| 3/4" | 20x2.5 | FFCM34-CD-20x2.5-075-* | 1.39 (0.64) | FFCM34-075-20MM-* | CD-20x2.5-075-* | ORV-1715 |
| 3/4" | 20x3.0 | FFCM34-CD-20x3.0-075-* | 1.39 (0.64) | FFCM34-075-20MM-* | CD-20x3.0-075-* | ORV-1715 |
| 3/4" | 25x2.5 | FFCM34-CD-25x2.5-075-* | 1.39 (0.64) | FFCM34-075-25MM-* | CD-25x2.5-075-* | ORV-2315 |
| 3/4" | 25x3.0 | FFCM34-CD-25x3.0-075-* | 1.39 (0.64) | FFCM34-075-25MM-* | CD-25x3.0-075-* | ORV-2315 |
| 3/4" | 25x4.0 | FFCM34-CD-25x4.0-075-* | 1.39 (0.64) | FFCM34-075-25MM-* | CD-25x4.0-075-* | ORV-2315 |
| 3/4" | 30x3.0 | FFCM34-CD-30x3.0-075-* | 1.43 (0.65) | FFCM34-075-30MM-* | CD-30x3.0-075-* | ORV-2515 |
| 1" | 25x2.5 | FFCM34-CD-25x2.5-100-* | 1.63 (0.74) | FFCM34-100-25MM-* | CD-25x2.5-100-* | ORV-2315 |
| 1" | 25x3.0 | FFCM34-CD-25x3.0-100-* | 1.63 (0.74) | FFCM34-100-25MM-* | CD-25x3.0-100-* | ORV-2315 |
| 1" | 25x4.0 | FFCM34-CD-25x4.0-100-* | 1.63 (0.74) | FFCM34-100-25MM-* | CD-25x4.0-100-* | ORV-2315 |
| 1" | 30x3.0 | FFCM34-CD-30x3.0-100-* | 1.67 (0.76) | FFCM34-100-30MM-* | CD-30x3.0-100-* | ORV-2815 |
| 1" | 30x4.0 | FFCM34-CD-30x4.0-100-* | 1.67 (0.76) | FFCM34-100-30MM-* | CD-30x4.0-100-* | ORV-2815 |
| 1" | 30x5.0 | FFCM34-CD-30x5.0-100-* | 1.67 (0.76) | FFCM34-100-30MM-* | CD-30x5.0-100-* | ORV-2815 |
| 1" | 38x3.0 | FFCM34-CD-38x3.0-100-* | 1.69 (0.77) | FFCM34-100-30MM-* | CD-38x3.0-100-* | ORV-4515 |
| 1" | 38x4.0 | FFCM34-CD-38x4.0-100-* | 1.71 (0.77) | FFCM34-100-38MM-* | CD-38x4.0-100-* | ORV-3515 |
| 1" | 38x5.0 | FFCM34-CD-38x5.0-100-* | 1.71 (0.77) | FFCM34-100-38MM-* | CD-38x5.0-100-* | ORV-3215 |
| 1-1/4" | 30x3.0 | FFCM34-CD-30x3.0-125-* | 2.13 (0.97) | FFCM34-125-30MM-* | CD-30x3.0-125-* | ORV-2815 |
| 1-1/4" | 30x4.0 | FFCM34-CD-30x4.0-125-* | 2.13 (0.97) | FFCM34-125-30MM-* | CD-30x4.0-125-* | ORV-2815 |
| 1-1/4" | 30x5.0 | FFCM34-CD-30x5.0-125-* | 2.13 (0.97) | FFCM34-125-30MM-* | CD-30x5.0-125-* | ORV-2815 |
| 1-1/4" | 38x4.0 | FFCM34-CD-38x4.0-125-* | 2.17 (0.99) | FFCM34-125-38MM-* | CD-38x4.0-125-* | ORV-3515 |
| 1-1/4" | 38x5.0 | FFCM34-CD-38x5.0-125-* | 2.17 (0.99) | FFCM34-125-38MM-* | CD-38x5.0-125-* | ORV-3215 |
| 1-1/4" | 38x5.0 | FFCM34-CD-38x5.0-125-* | 2.17 (0.99) | FFCM34-125-38MM-* | CD-38x5.0-125-* | ORV-3215 |
| 1-1/4" | 42x3.0 | FFCM34-CD-42x3.0-125-* | 2.26 (1.03) | FFC34-125-* | CD-42x3.0-125-* | ORV-3815 |
| 1-1/4" | 42x4.0 | FFCM34-CD-42x4.0-125-* | 2.26 (1.03) | FFC34-125-* | CD-42x4.0-125-* | ORV-3815 |

* Materials:

Standard, No Designation = All Carbon Steel, Clear Zinc Plated (Cr6 Free).

SS = Stainless Steel, Type 316.

ZSS = Carbon Steel Flange with Stainless Steel Cone, Type 316.

HDGSS = Carbon Steel, Hot Dip Galvanized Flange with Stainless Steel Cone, Type 316.

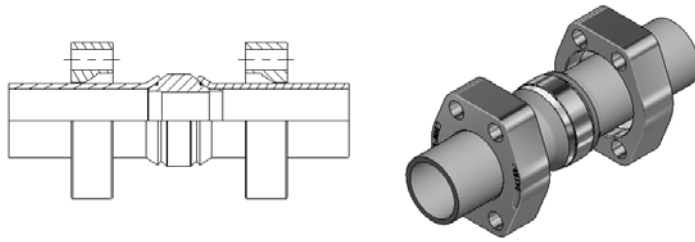
Ordering Example: FFCM34-CD-50x3.0-200-SS

* Insert Material _____

3D step models available upon request

SAE 3000 PSI Flare Flange Double Cone Union Set with Clearance Holes, Metric

SAE J518 Code 61 (ISO 6162-1)



Complete Flange Set Includes:

- Two (2) Flare Flanges
- One (1) Double Cone
- Two (2) Back Up O-Rings (O-Ring 1)

To be Ordered Separately:

- Bolt Kit (See Page G1)

FFCM34-CD - Flare Flange Double Cone Union Set with Clearance Holes, Metric

| Size | Pipe Size | Complete Flange Set Part Number | WT/Set lbs (kg) | Flange Part Number | Double Cone Insert Part Number | O-Ring 1 (VITON) Part Number |
|--------|-----------|---------------------------------|-----------------|--------------------|--------------------------------|------------------------------|
| 1-1/2" | 30x3.0 | FFCM34-CD-30x3.0-150-* | 3.70 (1.69) | FFCM34-150-30MM-* | CD-30x3.0-150-* | ORV-2815 |
| 1-1/2" | 38x4.0 | FFCM34-CD-38x4.0-150-* | 3.76 (1.71) | FFCM34-150-38MM-* | CD-38x4.0-150-* | ORV-3215 |
| 1-1/2" | 38x5.0 | FFCM34-CD-38x5.0-150-* | 3.76 (1.71) | FFCM34-150-38MM-* | CD-38x5.0-150-* | ORV-3215 |
| 1-1/2" | 42x3.0 | FFCM34-CD-42x3.0-150-* | 3.76 (1.71) | FFCM34-150-42MM-* | CD-42x3.0-150-* | ORV-3815 |
| 1-1/2" | 42x4.0 | FFCM34-CD-42x4.0-150-* | 3.76 (1.71) | FFCM34-150-42MM-* | CD-42x4.0-150-* | ORV-3815 |
| 1-1/2" | 50x3.0 | FFCM34-CD-50x3.0-150-* | 3.79 (1.73) | FFCM34-150-50MM-* | CD-50x3.0-150-* | ORV-4715 |
| 1-1/2" | 50x5.0 | FFCM34-CD-50x5.0-150-* | 3.79 (1.73) | FFCM34-150-50MM-* | CD-50x5.0-150-* | ORV-4515 |
| 2" | 50x3.0 | FFCM34-CD-50x3.0-200-* | 5.19 (2.37) | FFCM34-200-50MM-* | CD-50x3.0-200-* | ORV-4515 |
| 2" | 50x5.0 | FFCM34-CD-50x5.0-200-* | 5.19 (2.37) | FFCM34-200-50MM-* | CD-50x5.0-200-* | ORV-4515 |
| 2" | 50x6.0 | FFCM34-CD-50x6.0-200-* | 5.19 (2.37) | FFCM34-200-50MM-* | CD-50x6.0-200-* | ORV-4515 |
| 2" | 60x3.0 | FFCM34-CD-60x3.0-200-* | 5.23 (2.38) | FFC34-200-* | CD-60x3.0-200-* | ORV-5715 |
| 2" | 60x5.0 | FFCM34-CD-60x5.0-200-* | 5.23 (2.38) | FFC34-200-* | CD-60x5.0-200-* | ORV-5615 |
| 2" | 60x6.0 | FFCM34-CD-60x6.0-200-* | 5.23 (2.38) | FFC34-200-* | CD-60x6.0-200-* | ORV-5615 |
| 2-1/2" | 60x5.0 | FFCM34-CD-60x5.0-250-* | 8.00 (3.63) | FFCM34-250-60MM-* | CD-60x5.0-250-* | ORV-5615 |
| 2-1/2" | 60x6.0 | FFCM34-CD-60x6.0-250-* | 8.00 (3.63) | FFCM34-250-60MM-* | CD-60x6.0-250-* | ORV-5615 |
| 2-1/2" | 73x7.0 | FFCM34-CD-73x7.0-250-* | 8.08 (3.67) | FFCM34-250-73MM-* | CD-73x7.0-250-* | ORV-2-232 |
| 2-1/2" | 75x3.0 | FFCM34-CD-75x3.0-250-* | 8.08 (3.67) | FFCM34-250-75MM-* | CD-75x3.0-250-* | ORV-6915 |
| 2-1/2" | 75x5.0 | FFCM34-CD-75x5.0-250-* | 8.08 (3.67) | FFCM34-250-75MM-* | CD-75x5.0-250-* | ORV-2-036 |
| 2-1/2" | 75x7.0 | FFCM34-CD-75x7.0-250-* | 8.08 (3.67) | FFCM34-250-75MM-* | CD-75x7.0-250-* | ORV-6715 |
| 3" | 75x5.0 | FFCM34-CD-75x5.0-300-* | 11.58 (5.26) | FFCM34-300-75MM-* | CD-75x5.0-300-* | ORV-2-237 |
| 3" | 90x3.5 | FFCM34-CD-90x3.5-300-* | 11.76 (5.34) | FFCM34-300-90MM-* | CD-90x3.5-300-* | ORV-8515 |
| 3" | 90x5.0 | FFCM34-CD-90x5.0-300-* | 11.76 (5.34) | FFCM34-300-90MM-* | CD-90x5.0-300-* | ORV-2-040 |

*** Materials:**

Standard, No Designation = All Carbon Steel, Clear Zinc Plated (Cr6 Free).

SS = Stainless Steel, Type 316.

ZSS = Carbon Steel Flange with Stainless Steel Cone, Type 316.

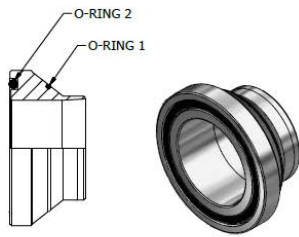
HDGSS = Carbon Steel, Hot Dip Galvanized Flange with Stainless Steel Cone, Type 316.

Ordering Example: FFCM34-CD-50x3.0-200-SS

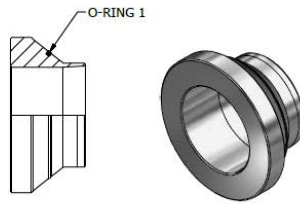
* Insert Material _____

SAE 3000 PSI Cone Inserts for Flare Flange Connections, NPS

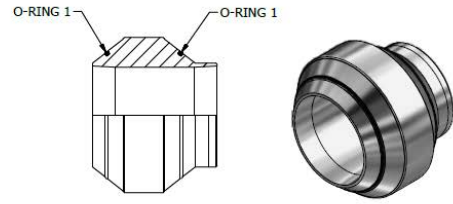
SAE J518 Code 61 (ISO 6162-1)



TYPE CO



TYPE CF



TYPE CD

CO, CF, CD - Cone Inserts for Flare Flange Connections, NPS

| Size | Pipe Size | O-Ring Face Cone Insert Part Number (Type CO) | WT/Set lbs (kg) | Flat Face Cone Insert Part Number (Type CF) | WT/Set lbs (kg) | Double Cone Insert Part Number (Type CD) | WT/Set lbs (kg) | O-Ring 1 (VITON) Part Number | O-Ring 2 (Buna) Part Number |
|--------|---------------|---|-----------------|---|-----------------|--|-----------------|------------------------------|-----------------------------|
| 1/2" | 1/2" SCH40 | CO-SCH40-050-* [^] | 0.10 (0.50) | CF-SCH40-050-* | 0.11 (0.05) | CD-SCH40-050-* | 0.20 (0.09) | ORV-1915 | OR [^] -2-210 |
| 1/2" | 1/2" SCH80 | CO-SCH80-050-* [^] | 0.09 (0.04) | CF-SCH80-050-* | 0.10 (0.05) | CD-SCH80-050-* | 0.18 (0.08) | ORV-1715 | OR [^] -2-210 |
| 3/4" | 3/4" SCH40 | CO-SCH40-075-* [^] | 0.12 (0.05) | CF-SCH40-075-* | 0.14 (0.06) | CD-SCH40-075-* | 0.25 (0.11) | ORV-2515 | OR [^] -2-214 |
| 3/4" | 3/4" SCH80 | CO-SCH80-075-* [^] | 0.12 (0.05) | CF-SCH80-075-* | 0.14 (0.06) | CD-SCH80-075-* | 0.25 (0.11) | ORV-2315 | OR [^] -2-214 |
| 1" | 1" SCH40 | CO-SCH40-100-* [^] | 0.20 (0.09) | CF-SCH40-100-* | 0.23 (0.10) | CD-SCH40-100-* | 0.41 (0.19) | ORV-3015 | OR [^] -2-219 |
| 1" | 1" SCH80 | CO-SCH80-100-* [^] | 0.21 (0.10) | CF-SCH80-100-* | 0.23 (0.10) | CD-SCH80-100-* | 0.42 (0.19) | ORV-2815 | OR [^] -2-219 |
| 1-1/4" | 1-1/4" SCH40 | CO-SCH40-125-* [^] | 0.25 (0.11) | CF-SCH40-125-* | 0.27 (0.12) | CD-SCH40-125-* | 0.49 (0.22) | ORV-3815 | OR [^] -2-222 |
| 1-1/4" | 1-1/4" SCH80 | CO-SCH80-125-* [^] | 0.24 (0.11) | CF-SCH80-125-* | 0.27 (0.12) | CD-SCH80-125-* | 0.48 (0.22) | ORV-3815 | OR [^] -2-222 |
| 1-1/2" | 1-1/2" SCH40 | CO-SCH40-150-* [^] | 0.41 (0.19) | CF-SCH40-150-* | 0.45 (0.20) | CD-SCH40-150-* | 0.82 (0.37) | ORV-4315 | OR [^] -2-225 |
| 1-1/2" | 1-1/2" SCH80 | CO-SCH80-150-* [^] | 0.42 (0.19) | CF-SCH80-150-* | 0.46 (0.21) | CD-SCH80-150-* | 0.84 (0.38) | ORV-4315 | OR [^] -2-225 |
| 1-1/2" | 1-1/2" SCH160 | CO-SCH160-150-* [^] | 0.42 (0.19) | CF-SCH160-150-* | 0.45 (0.20) | CD-SCH160-150-* | 0.83 (0.37) | ORV-3815 | OR [^] -2-225 |
| 2" | 2" SCH40 | CO-SCH40-200-* [^] | 0.47 (0.21) | CF-SCH40-200-* | 0.52 (0.24) | CD-SCH40-200-* | 0.94 (0.43) | ORV-5615 | OR [^] -2-228 |
| 2" | 2" SCH80 | CO-SCH80-200-* [^] | 0.49 (0.22) | CF-SCH80-200-* | 0.53 (0.24) | CD-SCH80-200-* | 0.97 (0.44) | ORV-5515 | OR [^] -2-228 |
| 2" | 2" SCH160 | CO-SCH160-200-* [^] | 0.67 (0.30) | CF-SCH160-200-* | 0.71 (0.32) | CD-SCH160-200-* | 1.31 (0.59) | ORV-5015 | OR [^] -2-228 |
| 2-1/2" | 2-1/2" SCH40 | CO-SCH40-250-* [^] | 0.99 (0.45) | CF-SCH40-250-* | 1.01 (0.46) | CD-SCH40-250-* | 1.90 (0.86) | ORV-2-036 | OR [^] -2-232 |
| 2-1/2" | 2-1/2" SCH80 | CO-SCH80-250-* [^] | 0.99 (0.45) | CF-SCH80-250-* | 1.06 (0.48) | CD-SCH80-250-* | 1.95 (0.88) | ORV-2-036 | OR [^] -2-232 |
| 2-1/2" | 2-1/2" SCH160 | CO-SCH160-250-* [^] | 1.42 (0.64) | CF-SCH160-250-* | 1.50 (0.68) | CD-SCH160-250-* | 2.77 (1.26) | ORV-5615 | OR [^] -2-232 |
| 3" | 3" SCH40 | CO-SCH40-300-* [^] | 1.33 (0.60) | CF-SCH40-300-* | 1.39 (0.63) | CD-SCH40-300-* | 2.58 (1.17) | ORV-2-040 | OR [^] -2-237 |
| 3" | 3" SCH80 | CO-SCH80-300-* [^] | 1.21 (0.55) | CF-SCH80-300-* | 1.28 (0.58) | CD-SCH80-300-* | 2.37 (1.07) | ORV-2-040 | OR [^] -2-237 |

*** Materials:**

Standard, No Designation = All Carbon Steel, Clear Zinc Plated (Cr6 Free).
SS = Stainless Steel, Type 316.

^ O-Ring 2 Type:

Standard, No Designation = Buna Nitrile.
V = Viton.

Ordering Example: CO-SCH80-200-SS-V

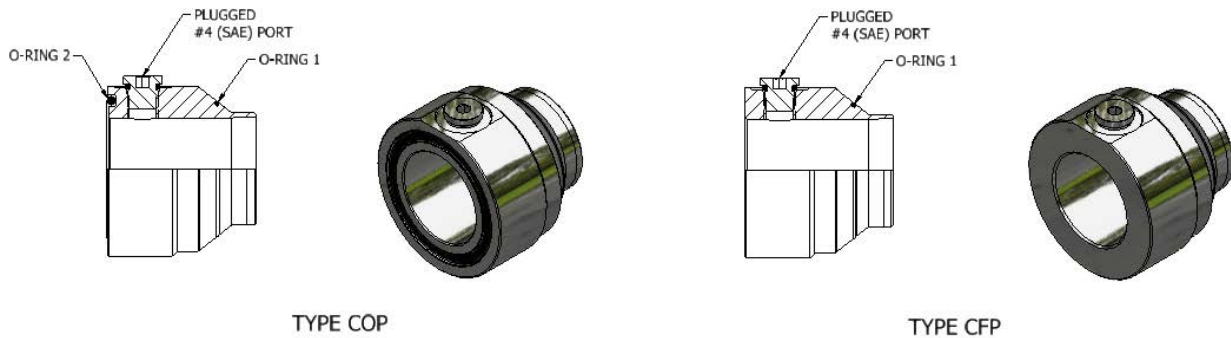
* Insert Material

^ Insert O-Ring 2 Type

3D step models available upon request

SAE 3000 PSI Cone Inserts with Pilot Port for Flare Flange Connections, NPS

SAE J518 Code 61 (ISO 6162-1)



| COP, CFP - Cone Inserts with Pilot Port for Flare Flange Connections, NPS | | | | | | | |
|---|---------------|--|-----------------|--|-----------------|------------------------------|-----------------------------|
| Size | Pipe Size | O-Ring Face Cone Insert Part Number (Type COP) | WT/Set lbs (kg) | Flat Face Cone Insert Part Number (Type CFP) | WT/Set lbs (kg) | O-Ring 1 (VITON) Part Number | O-Ring 2 (Buna) Part Number |
| 1/2" | 1/2" SCH40 | COP-SCH40-050-*^-^ | 0.40 (0.18) | CFP-SCH40-050-* | 0.40 (0.18) | ORV-1915 | OR^-2-210 |
| 1/2" | 1/2" SCH80 | COP-SCH80-050-*^-^ | 0.40 (0.18) | CFP-SCH80-050-* | 0.40 (0.18) | ORV-1715 | OR^-2-210 |
| 3/4" | 3/4" SCH40 | COP-SCH40-075-*^-^ | 0.62 (0.28) | CFP-SCH40-075-* | 0.62 (0.28) | ORV-2515 | OR^-2-214 |
| 3/4" | 3/4" SCH80 | COP-SCH80-075-*^-^ | 0.62 (0.28) | CFP-SCH80-075-* | 0.62 (0.28) | ORV-2315 | OR^-2-214 |
| 1" | 1" SCH40 | COP-SCH40-100-*^-^ | 0.77 (0.35) | CFP-SCH40-100-* | 0.77 (0.35) | ORV-3015 | OR^-2-219 |
| 1" | 1" SCH80 | COP-SCH80-100-*^-^ | 0.77 (0.35) | CFP-SCH80-100-* | 0.77 (0.35) | ORV-2815 | OR^-2-219 |
| 1-1/4" | 1-1/4" SCH40 | COP-SCH40-125-*^-^ | 0.93 (0.42) | CFP-SCH40-125-* | 0.93 (0.42) | ORV-3815 | OR^-2-222 |
| 1-1/4" | 1-1/4" SCH80 | COP-SCH80-125-*^-^ | 0.93 (0.42) | CFP-SCH80-125-* | 0.93 (0.42) | ORV-3815 | OR^-2-222 |
| 1-1/2" | 1-1/2" SCH40 | COP-SCH40-150-*^-^ | 1.31 (0.59) | CFP-SCH40-150-* | 1.31 (0.59) | ORV-4315 | OR^-2-225 |
| 1-1/2" | 1-1/2" SCH80 | COP-SCH80-150-*^-^ | 1.31 (0.59) | CFP-SCH80-150-* | 1.31 (0.59) | ORV-4315 | OR^-2-225 |
| 1-1/2" | 1-1/2" SCH160 | COP-SCH160-150-*^-^ | 1.20 (0.54) | CFP-SCH160-150-* | 1.20 (0.54) | ORV-3815 | OR^-2-225 |
| 2" | 2" SCH40 | COP-SCH40-200-*^-^ | 1.70 (0.77) | CFP-SCH40-200-* | 1.70 (0.77) | ORV-5615 | OR^-2-228 |
| 2" | 2" SCH80 | COP-SCH80-200-*^-^ | 1.70 (0.77) | CFP-SCH80-200-* | 1.70 (0.77) | ORV-5515 | OR^-2-228 |
| 2" | 2" SCH160 | COP-SCH160-200-*^-^ | 1.64 (0.74) | CFP-SCH160-200-* | 1.64 (0.74) | ORV-5015 | OR^-2-228 |
| 2-1/2" | 2-1/2" SCH40 | COP-SCH40-250-*^-^ | 2.51 (1.14) | CFP-SCH40-250-* | 2.51 (1.14) | ORV-2-036 | OR^-2-232 |
| 2-1/2" | 2-1/2" SCH80 | COP-SCH80-250-*^-^ | 2.51 (1.14) | CFP-SCH80-250-* | 2.51 (1.14) | ORV-2-036 | OR^-2-232 |
| 2-1/2" | 2-1/2" SCH160 | COP-SCH160-250-*^-^ | 2.43 (1.10) | CFP-SCH160-250-* | 2.43 (1.10) | ORV-5615 | OR^-2-232 |
| 3" | 3" SCH40 | COP-SCH40-300-*^-^ | 3.40 (1.54) | CFP-SCH40-300-* | 3.40 (1.54) | ORV-2-041 | OR^-2-237 |
| 3" | 3" SCH80 | COP-SCH80-300-*^-^ | 3.40 (1.54) | CFP-SCH80-300-* | 3.40 (1.54) | ORV-2-041 | OR^-2-237 |

*** Materials:**

Standard, No Designation = All Carbon Steel, Clear Zinc Plated (Cr6 Free).
SS = Stainless Steel, Type 316.

^ O-Ring 2 Type:

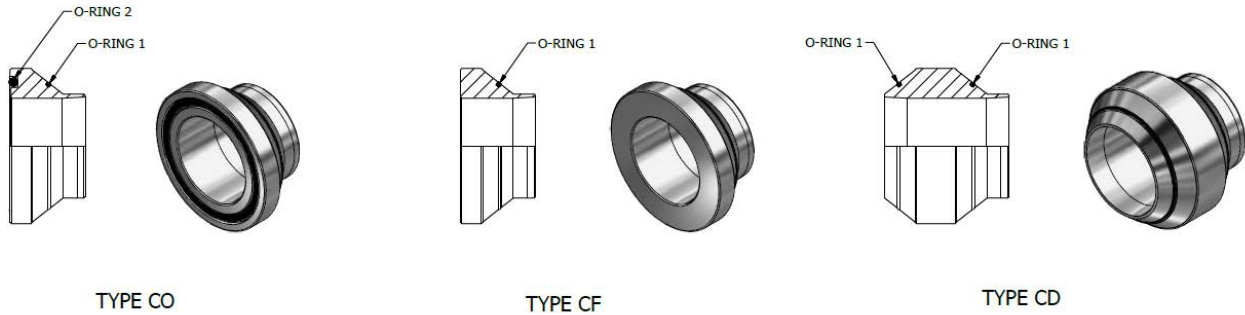
Standard, No Designation = Buna Nitrile.
V = Viton.

Ordering Example: COP-SCH80-200-SS-V

* Insert Material _____
^ Insert O-Ring 2 Type _____

SAE 3000 PSI Cone Inserts for Flare Flange Connections, Metric

SAE J518 Code 61 (ISO 6162-1)



CO, CF, CD - Cone Inserts for Flare Flange Connections, Metric

| Size | Pipe Size | O-Ring Face Cone Insert Part Number (Type CO) | Weight lbs (kg) | Flat Face Cone Insert Part Number (Type CF) | Weight lbs (kg) | Double Cone Insert Part Number (Type CD) | Weight lbs (kg) | O-Ring 1 (VITON) Part Number | O-Ring 2 (Buna) Part Number |
|--------|-----------|---|-----------------|---|-----------------|--|-----------------|------------------------------|-----------------------------|
| 1/2" | 20x2.0 | CO-20x2.0-050-*^-^ | 0.11 (0.05) | CF-20x2.0-050-* | 0.11 (0.05) | CD-20x2.0-050-* | 0.20 (0.09) | ORV-1715 | OR^-2-210 |
| 1/2" | 20x3.0 | CO-20x3.0-050-*^-^ | 0.11 (0.05) | CF-20x3.0-050-* | 0.11 (0.05) | CD-20x3.0-050-* | 0.20 (0.09) | ORV-1715 | OR^-2-210 |
| 1/2" | 25x2.5 | CO-25x2.5-050-*^-^ | 0.09 (0.04) | CF-25x2.5-050-* | 0.09 (0.04) | CD-25x2.5-050-* | 0.17 (0.08) | ORV-2315 | OR^-2-210 |
| 1/2" | 25x3.0 | CO-25x3.0-050-*^-^ | 0.09 (0.04) | CF-25x3.0-050-* | 0.09 (0.04) | CD-25x3.0-050-* | 0.17 (0.08) | ORV-2315 | OR^-2-210 |
| 3/4" | 20x2.0 | CO-20x2.0-075-*^-^ | 0.14 (0.07) | CF-20x2.0-075-* | 0.14 (0.07) | CD-20x2.0-075-* | 0.26 (0.12) | ORV-1715 | OR^-2-214 |
| 3/4" | 20x2.5 | CO-20x2.5-075-*^-^ | 0.14 (0.07) | CF-20x2.5-075-* | 0.14 (0.07) | CD-20x2.5-075-* | 0.26 (0.12) | ORV-1715 | OR^-2-214 |
| 3/4" | 20x3.0 | CO-20x3.0-075-*^-^ | 0.14 (0.07) | CF-20x3.0-075-* | 0.14 (0.07) | CD-20x3.0-075-* | 0.26 (0.12) | ORV-1715 | OR^-2-214 |
| 3/4" | 25x2.5 | CO-25x2.5-075-*^-^ | 0.15 (0.07) | CF-25x2.5-075-* | 0.15 (0.07) | CD-25x2.5-075-* | 0.29 (0.13) | ORV-2315 | OR^-2-214 |
| 3/4" | 25x3.0 | CO-25x3.0-075-*^-^ | 0.15 (0.07) | CF-25x3.0-075-* | 0.15 (0.07) | CD-25x3.0-075-* | 0.29 (0.13) | ORV-2315 | OR^-2-214 |
| 3/4" | 25x4.0 | CO-25x4.0-075-*^-^ | 0.15 (0.07) | CF-25x4.0-075-* | 0.15 (0.07) | CD-25x4.0-075-* | 0.29 (0.13) | ORV-2315 | OR^-2-214 |
| 3/4" | 30x3.0 | CO-30x3.0-075-*^-^ | 0.15 (0.07) | CF-30x3.0-075-* | 0.15 (0.07) | CD-30x3.0-075-* | 0.29 (0.13) | ORV-2515 | OR^-2-214 |
| 1" | 25x2.5 | CO-25x2.5-100-*^-^ | 0.14 (0.07) | CF-25x2.5-100-* | 0.14 (0.07) | CD-25x2.5-100-* | 0.26 (0.12) | ORV-2315 | OR^-2-219 |
| 1" | 25x3.0 | CO-25x3.0-100-*^-^ | 0.14 (0.07) | CF-25x3.0-100-* | 0.14 (0.07) | CD-25x3.0-100-* | 0.26 (0.12) | ORV-2315 | OR^-2-219 |
| 1" | 25x4.0 | CO-25x4.0-100-*^-^ | 0.14 (0.07) | CF-25x4.0-100-* | 0.14 (0.07) | CD-25x4.0-100-* | 0.26 (0.12) | ORV-2315 | OR^-2-219 |
| 1" | 30x3.0 | CO-30x3.0-100-*^-^ | 0.14 (0.07) | CF-30x3.0-100-* | 0.14 (0.07) | CD-30x3.0-100-* | 0.26 (0.12) | ORV-2815 | OR^-2-219 |
| 1" | 30x4.0 | CO-30x4.0-100-*^-^ | 0.27 (0.12) | CF-30x4.0-100-* | 0.27 (0.07) | CD-30x4.0-100-* | 0.52 (0.24) | ORV-2815 | OR^-2-219 |
| 1" | 30x5.0 | CO-30x5.0-100-*^-^ | 0.27 (0.12) | CF-30x5.0-100-* | 0.27 (0.12) | CD-30x5.0-100-* | 0.52 (0.24) | ORV-2815 | OR^-2-219 |
| 1" | 38x4.0 | CO-38x4.0-100-*^-^ | 0.21 (0.09) | CF-38x4.0-100-* | 0.24 (0.11) | CD-38x4.0-100-* | 0.43 (0.20) | ORV-3015 | OR^-2-219 |
| 1" | 38x5.0 | CO-38x5.0-100-*^-^ | 0.21 (0.09) | CF-38x5.0-100-* | 0.24 (0.11) | CD-38x5.0-100-* | 0.43 (0.20) | ORV-3215 | OR^-2-219 |
| 1-1/4" | 30x3.0 | CO-30x3.0-125-*^-^ | 0.24 (0.11) | CF-30x3.0-125-* | 0.24 (0.11) | CD-30x3.0-125-* | 0.46 (0.21) | ORV-2815 | OR^-2-222 |
| 1-1/4" | 30x4.0 | CO-30x4.0-125-*^-^ | 0.24 (0.11) | CF-30x4.0-125-* | 0.24 (0.11) | CD-30x4.0-125-* | 0.46 (0.21) | ORV-2815 | OR^-2-222 |
| 1-1/4" | 30x5.0 | CO-30x5.0-125-*^-^ | 0.24 (0.11) | CF-30x5.0-125-* | 0.24 (0.11) | CD-30x5.0-125-* | 0.46 (0.21) | ORV-2815 | OR^-2-222 |
| 1-1/4" | 38x4.0 | CO-38x4.0-125-*^-^ | 0.32 (0.14) | CF-38x4.0-125-* | 0.35 (0.16) | CD-38x4.0-125-* | 0.64 (0.29) | ORV-3515 | OR^-2-222 |
| 1-1/4" | 38x5.0 | CO-38x5.0-125-*^-^ | 0.27 (0.12) | CF-38x5.0-125-* | 0.27 (0.12) | CD-38x5.0-125-* | 0.52 (0.24) | ORV-3215 | OR^-2-222 |
| 1-1/4" | 42x3.0 | CO-42x3.0-125-*^-^ | 0.27 (0.12) | CF-42x3.0-125-* | 0.27 (0.12) | CD-42x3.0-125-* | 0.52 (0.24) | ORV-3815 | OR^-2-222 |
| 1-1/4" | 42x4.0 | CO-42x4.0-125-*^-^ | 0.27 (0.12) | CF-42x4.0-125-* | 0.27 (0.12) | CD-42x4.0-125-* | 0.52 (0.24) | ORV-3815 | OR^-2-222 |

*** Materials:**

Standard, No Designation = All Carbon Steel, Clear Zinc Plated (Cr6 Free).

SS = Stainless Steel, Type 316.

^ O-Ring 2 Type:

Standard, No Designation = Buna Nitrile.

V = Viton.

Ordering Example: CO-50x3.0-200-SS-V

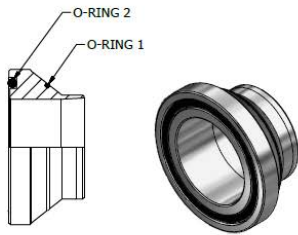
* Insert Material _____

^ Insert O-Ring 2 Type _____

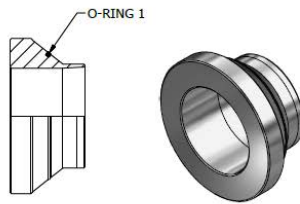
3D step models available upon request

SAE 3000 PSI Cone Inserts for Flare Flange Connections, Metric

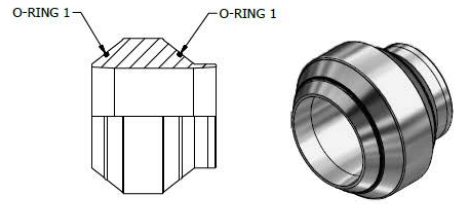
SAE J518 Code 61 (ISO 6162-1)



TYPE CO



TYPE CF



TYPE CD

CO, CF, CD - Cone Inserts for Flare Flange Connections, Metric

| Size | Pipe Size | O-Ring Face Cone Insert Part Number (Type CO) | Weight lbs (kg) | Flat Face Cone Insert Part Number (Type CF) | Weight lbs (kg) | Double Cone Insert Part Number (Type CD) | Weight lbs (kg) | O-Ring 1 (VITON) Part Number | O-Ring 2 (Buna) Part Number |
|--------|-----------|---|-----------------|---|-----------------|--|-----------------|------------------------------|-----------------------------|
| 1-1/2" | 30x3.0 | CO-30x3.0-150-* [^] | 0.50 (0.23) | CF-30x3.0-150-* | 0.50 (0.23) | CD-30x3.0-150-* | 0.98 (0.45) | ORV-2815 | OR [^] -2-225 |
| 1-1/2" | 38x4.0 | CO-38x4.0-150-* [^] | 0.50 (0.23) | CF-38x4.0-150-* | 0.50 (0.23) | CD-38x4.0-150-* | 0.98 (0.45) | ORV-3215 | OR [^] -2-225 |
| 1-1/2" | 38x5.0 | CO-38x5.0-150-* [^] | 0.48 (0.22) | CF-38x5.0-150-* | 0.49 (0.22) | CD-38x5.0-150-* | 0.95 (0.43) | ORV-3215 | OR [^] -2-225 |
| 1-1/2" | 42x3.0 | CO-42x3.0-150-* [^] | 0.40 (0.18) | CF-42x3.0-150-* | 0.40 (0.18) | CD-42x3.0-150-* | 0.78 (0.35) | ORV-3815 | OR [^] -2-225 |
| 1-1/2" | 42x4.0 | CO-42x4.0-150-* [^] | 0.50 (0.23) | CF-42x4.0-150-* | 0.50 (0.23) | CD-42x4.0-150-* | 0.78 (0.35) | ORV-3815 | OR [^] -2-225 |
| 1-1/2" | 50x3.0 | CO-50x3.0-150-* [^] | 0.50 (0.23) | CF-50x3.0-150-* | 0.50 (0.23) | CD-50x3.0-150-* | 0.98 (0.45) | ORV-4715 | OR [^] -2-225 |
| 1-1/2" | 50x5.0 | CO-50x5.0-150-* [^] | 0.40 (0.18) | CF-50x5.0-150-* | 0.40 (0.18) | CD-50x5.0-150-* | 0.78 (0.35) | ORV-4515 | OR [^] -2-225 |
| 1-1/2" | 50x6.0 | CO-50x6.0-150-* [^] | 0.39 (0.18) | CF-50x6.0-150-* | 0.39 (0.18) | CD-50x6.0-150-* | 0.76 (0.35) | ORV-4515 | OR [^] -2-225 |
| 2" | 50x3.0 | CO-50x3.0-200-* [^] | 0.50 (0.23) | CF-50x3.0-200-* | 0.50 (0.23) | CD-50x3.0-200-* | 0.98 (0.45) | ORV-4515 | OR [^] -2-228 |
| 2" | 50x5.0 | CO-50x5.0-200-* [^] | 0.50 (0.23) | CF-50x5.0-200-* | 0.50 (0.23) | CD-50x5.0-200-* | 0.98 (0.45) | ORV-4515 | OR [^] -2-228 |
| 2" | 50x6.0 | CO-50x6.0-200-* [^] | 0.50 (0.23) | CF-50x6.0-200-* | 0.50 (0.23) | CD-50x6.0-200-* | 0.98 (0.45) | ORV-4515 | OR [^] -2-228 |
| 2" | 60x3.0 | CO-60x3.0-200-* [^] | 0.56 (0.25) | CF-60x3.0-200-* | 0.56 (0.25) | CD-60x3.0-200-* | 1.10 (0.50) | ORV-5715 | OR [^] -2-228 |
| 2" | 60x5.0 | CO-60x5.0-200-* [^] | 0.50 (0.23) | CF-60x5.0-200-* | 0.50 (0.23) | CD-60x5.0-200-* | 0.98 (0.45) | ORV-5615 | OR [^] -2-228 |
| 2" | 60x6.0 | CO-60x6.0-200-* [^] | 0.50 (0.23) | CF-60x6.0-200-* | 0.50 (0.23) | CD-60x6.0-200-* | 0.98 (0.45) | ORV-5015 | OR [^] -2-228 |
| 2-1/2" | 60x5.0 | CO-60x5.0-250-* [^] | 1.00 (0.45) | CF-60x5.0-250-* | 1.10 (0.50) | CD-60x5.0-250-* | 2.02 (0.92) | ORV-5615 | OR [^] -2-232 |
| 2-1/2" | 60x6.0 | CO-60x6.0-250-* [^] | 1.00 (0.45) | CF-60x6.0-250-* | 1.10 (0.50) | CD-60x6.0-250-* | 2.02 (0.98) | ORV-5015 | OR [^] -2-232 |
| 2-1/2" | 73x7.0 | CO-73x7.0-250-* [^] | 1.00 (0.45) | CF-73x7.0-250-* | 1.08 (0.49) | CD-73x7.0-250-* | 2.00 (0.90) | ORV-2-036 | OR [^] -2-232 |
| 2-1/2" | 75x3.0 | CO-75x3.0-250-* [^] | 1.00 (0.45) | CF-75x3.0-250-* | 1.00 (0.45) | CD-75x3.0-250-* | 1.91 (0.87) | ORV-2-037 | OR [^] -2-232 |
| 2-1/2" | 75x5.0 | CO-75x5.0-250-* [^] | 0.97 (0.44) | CF-75x5.0-250-* | 1.00 (0.45) | CD-75x5.0-250-* | 1.90 (0.86) | ORV-2-036 | OR [^] -2-232 |
| 2-1/2" | 75x7.0 | CO-75x7.0-250-* [^] | 0.95 (0.43) | CF-75x7.0-250-* | 0.98 (0.44) | CD-75x7.0-250-* | 1.89 (0.86) | ORV-6715 | OR [^] -2-232 |
| 3" | 75x5.0 | CO-75x5.0-300-* [^] | 1.50 (0.68) | CF-75x5.0-300-* | 1.50 (0.68) | CD-75x5.0-300-* | 2.70 (1.23) | ORV-2-037 | OR [^] -2-237 |
| 3" | 90x3.5 | CO-90x3.5-300-* [^] | 1.50 (0.68) | CF-90x3.5-300-* | 1.50 (0.68) | CD-90x3.5-300-* | 2.70 (1.23) | ORV-2-041 | OR [^] -2-237 |
| 3" | 90x5.0 | CO-90x5.0-300-* [^] | 1.45 (0.66) | CF-90x5.0-300-* | 1.48 (0.67) | CD-90x5.0-300-* | 2.60 (1.18) | ORV-2-040 | OR [^] -2-237 |

*** Materials:**

Standard, No Designation = All Carbon Steel, Clear Zinc Plated (Cr6 Free).
SS = Stainless Steel, Type 316.

[^] O-Ring 2 Type:

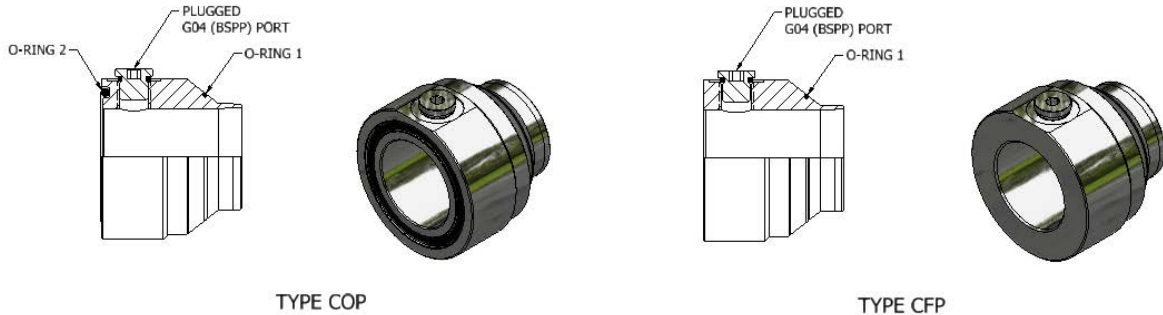
Standard, No Designation = Buna Nitrile.
V = Viton.

Ordering Example: CO-50x3.0-200-SS-V

* Insert Material _____
[^] Insert O-Ring 2 Type _____

SAE 3000 PSI Cone Inserts with Pilot Port for Flare Flange Connections, Metric

SAE J518 Code 61 (ISO 6162-1)



| COP, CFP - Cone Inserts with Pilot Port for Flare Flange Connections, Metric | | | | | | | |
|--|-----------|--|-------------|--|-------------|------------------------------|-----------------------------|
| Size | Pipe Size | O-Ring Face Cone Insert Part Number (Type COP) | WT lbs (kg) | Flat Face Cone Insert Part Number (Type CFP) | WT lbs (kg) | O-Ring 1 (VITON) Part Number | O-Ring 2 (Buna) Part Number |
| 1/2" | 20x2.0 | COP-20x2.0-050-*^ | 0.40 (0.18) | CFP-20x2.0-050-* | 0.40 (0.18) | ORV-1715 | OR^-2-210 |
| 1/2" | 20x3.0 | COP-20x3.0-050-*^ | 0.40 (0.18) | CFP-20x3.0-050-* | 0.40 (0.18) | ORV-1715 | OR^-2-210 |
| 1/2" | 25x2.5 | COP-25x2.5-050-*^ | 0.51 (0.23) | CFP-25x2.5-050-* | 0.51 (0.23) | ORV-2315 | OR^-2-210 |
| 1/2" | 25x3.0 | COP-25x3.0-050-*^ | 0.51 (0.23) | CFP-25x3.0-050-* | 0.51 (0.23) | ORV-2315 | OR^-2-210 |
| 3/4" | 20x2.0 | COP-20x2.0-075-*^ | 0.55 (0.25) | CFP-20x2.0-075-* | 0.55 (0.25) | ORV-1715 | OR^-2-214 |
| 3/4" | 20x2.5 | COP-20x2.5-075-*^ | 0.55 (0.25) | CFP-20x2.5-075-* | 0.55 (0.25) | ORV-1715 | OR^-2-214 |
| 3/4" | 20x3.0 | COP-20x3.0-075-*^ | 0.55 (0.25) | CFP-20x3.0-075-* | 0.55 (0.25) | ORV-1715 | OR^-2-214 |
| 3/4" | 25x2.5 | COP-25x2.5-075-*^ | 0.62 (0.28) | CFP-25x2.5-075-* | 0.62 (0.28) | ORV-2315 | OR^-2-214 |
| 3/4" | 25x3.0 | COP-25x3.0-075-*^ | 0.62 (0.28) | CFP-25x3.0-075-* | 0.62 (0.28) | ORV-2315 | OR^-2-214 |
| 3/4" | 25x4.0 | COP-25x4.0-075-*^ | 0.62 (0.28) | CFP-25x4.0-075-* | 0.62 (0.28) | ORV-2315 | OR^-2-214 |
| 3/4" | 30x3.0 | COP-30x3.0-075-*^ | 0.68 (0.31) | CFP-30x3.0-075-* | 0.68 (0.31) | ORV-2515 | OR^-2-214 |
| 1" | 25x2.5 | COP-25x2.5-100-*^ | 0.70 (0.32) | CFP-25x2.5-100-* | 0.70 (0.32) | ORV-2315 | OR^-2-219 |
| 1" | 25x3.0 | COP-25x3.0-100-*^ | 0.70 (0.32) | CFP-25x3.0-100-* | 0.70 (0.32) | ORV-2315 | OR^-2-219 |
| 1" | 25x4.0 | COP-25x4.0-100-*^ | 0.70 (0.32) | CFP-25x4.0-100-* | 0.70 (0.32) | ORV-2315 | OR^-2-219 |
| 1" | 30x3.0 | COP-30x3.0-100-*^ | 0.77 (0.35) | CFP-30x3.0-100-* | 0.77 (0.35) | ORV-2815 | OR^-2-219 |
| 1" | 30x4.0 | COP-30x4.0-100-*^ | 0.77 (0.35) | CFP-30x4.0-100-* | 0.77 (0.35) | ORV-2815 | OR^-2-219 |
| 1" | 30x5.0 | COP-30x5.0-100-*^ | 0.77 (0.35) | CFP-30x5.0-100-* | 0.77 (0.35) | ORV-2815 | OR^-2-219 |
| 1" | 38x4.0 | COP-38x4.0-100-*^ | 0.81 (0.37) | CFP-38x4.0-100-* | 0.81 (0.37) | ORV-3015 | OR^-2-219 |
| 1" | 38x5.0 | COP-38x5.0-100-*^ | 0.79 (0.36) | CFP-38x5.0-100-* | 0.79 (0.36) | ORV-3215 | OR^-2-219 |
| 1-1/4" | 30x3.0 | COP-30x3.0-125-*^ | 0.82 (0.37) | CFP-30x3.0-125-* | 0.82 (0.37) | ORV-2815 | OR^-2-222 |
| 1-1/4" | 30x4.0 | COP-30x4.0-125-*^ | 0.82 (0.37) | CFP-30x4.0-125-* | 0.82 (0.37) | ORV-2815 | OR^-2-222 |
| 1-1/4" | 30x5.0 | COP-30x5.0-125-*^ | 0.82 (0.37) | CFP-30x5.0-125-* | 0.82 (0.37) | ORV-2815 | OR^-2-222 |
| 1-1/4" | 38x4.0 | COP-38x4.0-125-*^ | 0.86 (0.39) | CFP-38x4.0-125-* | 0.86 (0.39) | ORV-3515 | OR^-2-222 |
| 1 1/4" | 38x5.0 | COP-38x5.0-125-*^ | 0.86 (0.39) | CFP-38x5.0-125-* | 0.86 (0.39) | ORV-3215 | OR^-2-222 |
| 1-1/4" | 42x3.0 | COP-42x3.0-125-*^ | 0.93 (0.42) | CFP-42x3.0-125-* | 0.93 (0.42) | ORV-3815 | OR^-2-222 |
| 1-1/4" | 42x4.0 | COP-42x4.0-125-*^ | 0.93 (0.42) | CFP-42x4.0-125-* | 0.93 (0.42) | ORV-3815 | OR^-2-222 |

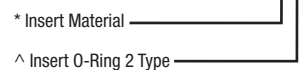
*** Materials:**

Standard, No Designation = All Carbon Steel, Clear Zinc Plated (Cr6 Free).
 SS = Stainless Steel, Type 316.

^ O-Ring 2 Type:

Standard, No Designation = Buna Nitrile.
 V = Viton.

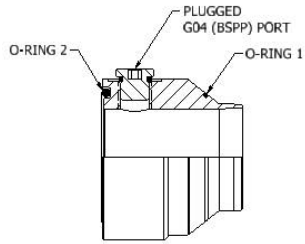
Ordering Example: COP-50x3.0-200-SS-V



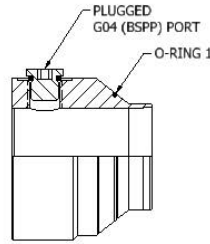
3D step models available upon request

SAE 3000 PSI Cone Inserts with Pilot Port for Flare Flange Connections, Metric

SAE J518 Code 61 (ISO 6162-1)



TYPE COP



TYPE CFP

COP, CFP - Cone Inserts with Pilot Port for Flare Flange Connections, Metric

| Size | Pipe Size | O-Ring Face Cone Insert Part Number (Type COP) | WT lbs (kg) | Flat Face Cone Insert Part Number (Type CFP) | WT lbs (kg) | O-Ring 1 (VITON) Part Number | O-Ring 2 (Buna) Part Number |
|--------|-----------|--|----------------|--|----------------|------------------------------------|-----------------------------------|
| 1-1/2" | 30x3.0 | COP-30x3.0-150*-^ | 1.02 (0.46) | CFP-30x3.0-150* | 1.02 (0.46) | ORV-2815 | OR^-2-225 |
| 1-1/2" | 38x4.0 | COP-38x4.0-150*-^ | 1.02 (0.46) | CFP-38x4.0-150* | 1.02 (0.46) | ORV-3215 | OR^-2-225 |
| 1-1/2" | 38x5.0 | COP-38x5.0-150*-^ | 1.10 (0.50) | CFP-38x5.0-150* | 1.10 (0.50) | ORV-3215 | OR^-2-225 |
| 1-1/2" | 42x3.0 | COP-42x3.0-150*-^ | 1.21 (0.55) | CFP-42x3.0-150* | 1.21 (0.55) | ORV-3815 | OR^-2-225 |
| 1-1/2" | 42x4.0 | COP-42x4.0-150*-^ | 1.21 (0.55) | CFP-42x4.0-150* | 1.21 (0.55) | ORV-3815 | OR^-2-225 |
| 1-1/2" | 50x3.0 | COP-50x3.0-150*-^ | 1.31 (0.59) | CFP-50x3.0-150* | 1.31 (0.59) | ORV-4715 | OR^-2-225 |
| 1-1/2" | 50x5.0 | COP-50x5.0-150*-^ | 1.31 (0.59) | CFP-50x5.0-150* | 1.31 (0.59) | ORV-4515 | OR^-2-225 |
| 1-1/2" | 50x6.0 | COP-50x6.0-150*-^ | 1.28 (0.58) | CFP-50x6.0-150* | 1.28 (0.58) | ORV-4515 | OR^-2-225 |
| 2" | 50x3.0 | COP-50x3.0-200*-^ | 1.58 (0.72) | CFP-50x3.0-200* | 1.58 (0.72) | ORV-4515 | OR^-2-228 |
| 2" | 50x5.0 | COP-50x5.0-200*-^ | 1.58 (0.72) | CFP-50x5.0-200* | 1.58 (0.72) | ORV-4515 | OR^-2-228 |
| 2" | 50x6.0 | COP-50x6.0-200*-^ | 1.55 (0.70) | CFP-50x6.0-200* | 1.55 (0.70) | ORV-4515 | OR^-2-228 |
| 2" | 60x3.0 | COP-60x3.0-200*-^ | 1.70 (0.77) | CFP-60x3.0-200* | 1.70 (0.77) | ORV-5715 | OR^-2-228 |
| 2" | 60x5.0 | COP-60x5.0-200*-^ | 1.70 (0.77) | CFP-60x5.0-200* | 1.70 (0.77) | ORV-5615 | OR^-2-228 |
| 2" | 60x6.0 | COP-60x6.0-200*-^ | 1.62 (0.73) | CFP-60x6.0-200* | 1.62 (0.73) | ORV-5015 | OR^-2-228 |
| 2-1/2" | 60x5.0 | COP-60x5.0-250*-^ | 2.39 (1.08) | CFP-60x5.0-250* | 2.39 (1.08) | ORV-5615 | OR^-2-232 |
| 2-1/2" | 60x6.0 | COP-60x6.0-250*-^ | 2.39 (1.08) | CFP-60x6.0-250* | 2.39 (1.08) | ORV-5015 | OR^-2-232 |
| 2-1/2" | 73x7.0 | COP-73x7.0-250*-^ | 2.51 (1.14) | CFP-73x7.0-250* | 2.51 (1.14) | ORV-2-036 | OR^-2-232 |
| 2-1/2" | 75x3.0 | COP-75x3.0-250*-^ | 2.60 (1.18) | CFP-75x3.0-250* | 2.60 (1.18) | ORV-2-037 | OR^-2-232 |
| 2-1/2" | 75x5.0 | COP-75x5.0-250*-^ | 2.60 (1.18) | CFP-75x5.0-250* | 2.60 (1.18) | ORV-2-036 | OR^-2-232 |
| 2-1/2" | 75x7.0 | COP-75x7.0-250*-^ | 2.55 (1.16) | CFP-75x7.0-250* | 2.55 (1.16) | ORV-6715 | OR^-2-232 |
| 3" | 75x5.0 | COP-75x5.0-300*-^ | 3.18 (1.44) | CFP-75x5.0-300* | 3.18 (1.44) | ORV-2-037 | OR^-2-237 |
| 3" | 90x3.5 | COP-90x3.5-300*-^ | 3.46 (1.57) | CFP-90x3.5-300* | 3.46 (1.57) | ORV-2-041 | OR^-2-237 |
| 3" | 90x5.0 | COP-90x5.0-300*-^ | 3.40 (1.54) | CFP-90x5.0-300* | 3.40 (1.54) | ORV-2-040 | OR^-2-237 |

*** Materials:**

Standard, No Designation = All Carbon Steel, Clear Zinc Plated (Cr6 Free).
SS = Stainless Steel, Type 316.

^ O-Ring 2 Type:

Standard, No Designation = Buna Nitrile.
V = Viton.

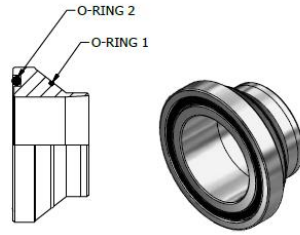
Ordering Example: COP-50x3.0-200-SS-V

* Insert Material

^ Insert O-Ring 2 Type

SAE 3000 PSI Cone Inserts Reducer for Flare Flange Connections with O-Ring Face, NPS

SAE J518 Code 61 (ISO 6162-1)



TYPE COR

| COR – Cone Inserts Reducer for Flare Flange Connections with O-Ring Face, NPS | | | | | |
|---|--------------|--|-------------|------------------------------|-----------------------------|
| Flange Size | Pipe Size | O-Ring Face Cone Insert Part Number (Type COR) | WT lbs (kg) | O-Ring 1 (VITON) Part Number | O-Ring 2 (Buna) Part Number |
| 3/4" | 1/2" SCH40 | COR-SCH40-075x050-*^-^ | 0.13 (0.06) | ORV-1915 | OR^-2-214 |
| 3/4" | 1/2" SCH80 | COR-SCH80-075x050-*^-^ | 0.09 (0.04) | ORV-1715 | OR^-2-214 |
| 1" | 3/4" SCH40 | COR-SCH40-100x075-*^-^ | 0.15 (0.07) | ORV-2515 | OR^-2-219 |
| 1" | 3/4" SCH80 | COR-SCH80-100x075-*^-^ | 0.11 (0.05) | ORV-2315 | OR^-2-219 |
| 1-1/4" | 1" SCH40 | COR-SCH40-125x100-*^-^ | 0.27 (0.12) | ORV-3015 | OR^-2-222 |
| 1-1/4" | 1" SCH80 | COR-SCH80-125x100-*^-^ | 0.21 (0.10) | ORV-2815 | OR^-2-222 |
| 1-1/2" | 1-1/4" SCH40 | COR-SCH40-150x125-*^-^ | 0.40 (0.18) | ORV-3815 | OR^-2-225 |
| 1-1/2" | 1-1/4" SCH80 | COR-SCH80-150x125-*^-^ | 0.30 (0.15) | ORV-3815 | OR^-2-225 |
| 2" | 1-1/2" SCH40 | COR-SCH40-200x150-*^-^ | 0.53 (0.24) | ORV-4315 | OR^-2-228 |
| 2" | 1-1/2" SCH80 | COR-SCH80-200x150-*^-^ | 0.45 (0.20) | ORV-4315 | OR^-2-228 |
| 2-1/2" | 2" SCH40 | COR-SCH40-250x200-*^-^ | 0.92 (0.42) | ORV-5615 | OR^-2-232 |
| 2-1/2" | 2" SCH80 | COR-SCH80-250x200-*^-^ | 0.49 (0.22) | ORV-5515 | OR^-2-232 |
| 3" | 2-1/2" SCH40 | COR-SCH40-300x250-*^-^ | 1.40 (0.65) | ORV-2-036 | OR^-2-237 |
| 3" | 2-1/2" SCH80 | COR-SCH80-300x250-*^-^ | 1.29 (0.58) | ORV-2-036 | OR^-2-237 |

*** Materials:**

Standard, No Designation = All Carbon Steel, Clear Zinc Plated (Cr6 Free).

SS = All Stainless Steel, Type 316.

^ O-Ring 2 Type:

Standard, No Designation = Buna Nitrile.

V = Viton.

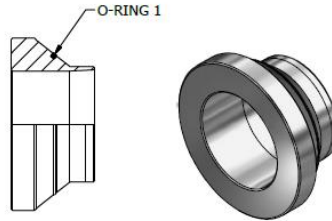
Ordering Example: COR-SCH80-100-SS-V

* Insert Material

^ Insert O-Ring 2 Type

SAE 3000 PSI Cone Inserts Reducer for Flare Flange Connections with Flat Face, NPS

SAE J518 Code 61 (ISO 6162-1)



| CFR – Cone Inserts Reducer for Flare Flange Connections with Flat Face, NPS | | | | |
|---|--------------|--|-------------|------------------------------|
| Flange Size | Pipe Size | Flat Face Cone Insert Part Number (Type CFR) | WT lbs (kg) | O-Ring 1 (VITON) Part Number |
| 3/4" | 1/2" SCH40 | CFR-SCH40-075x050-*^-^ | 0.13 (0.06) | ORV-1915 |
| 3/4" | 1/2" SCH80 | CFR-SCH80-075x050-*^-^ | 0.09 (0.04) | ORV-1715 |
| 1" | 3/4" SCH40 | CFR-SCH40-100x075-*^-^ | 0.15 (0.07) | ORV-2515 |
| 1" | 3/4" SCH80 | CFR-SCH80-100x075-*^-^ | 0.11 (0.05) | ORV-2315 |
| 1-1/4" | 1" SCH40 | CFR-SCH40-125x100-*^-^ | 0.27 (0.12) | ORV-3015 |
| 1-1/4" | 1" SCH80 | CFR-SCH80-125x100-*^-^ | 0.21 (0.10) | ORV-2815 |
| 1-1/2" | 1-1/4" SCH40 | CFR-SCH40-150x125-*^-^ | 0.40 (0.18) | ORV-3815 |
| 1-1/2" | 1-1/4" SCH80 | CFR-SCH80-150x125-*^-^ | 0.30 (0.15) | ORV-3815 |
| 2" | 1-1/2" SCH40 | CFR-SCH40-200x150-*^-^ | 0.53 (0.24) | ORV-4315 |
| 2" | 1-1/2" SCH80 | CFR-SCH80-200x150-*^-^ | 0.45 (0.20) | ORV-4315 |
| 2-1/2" | 2" SCH40 | CFR-SCH40-250x200-*^-^ | 0.92 (0.42) | ORV-5615 |
| 2-1/2" | 2" SCH80 | CFR-SCH80-250x200-*^-^ | 0.49 (0.22) | ORV-5515 |
| 3" | 2-1/2" SCH40 | CFR-SCH40-300x250-*^-^ | 1.40 (0.65) | ORV-2-036 |
| 3" | 2-1/2" SCH80 | CFR-SCH80-300x250-*^-^ | 1.29 (0.58) | ORV-2-036 |

*** Materials:**

Standard, No Designation = Carbon Steel, Clear Zinc Plated (Cr6 Free).

SS = Stainless Steel, Type 316.

^ O-Ring 2 Type:

Standard, No Designation = Buna Nitrile.

V = Viton.

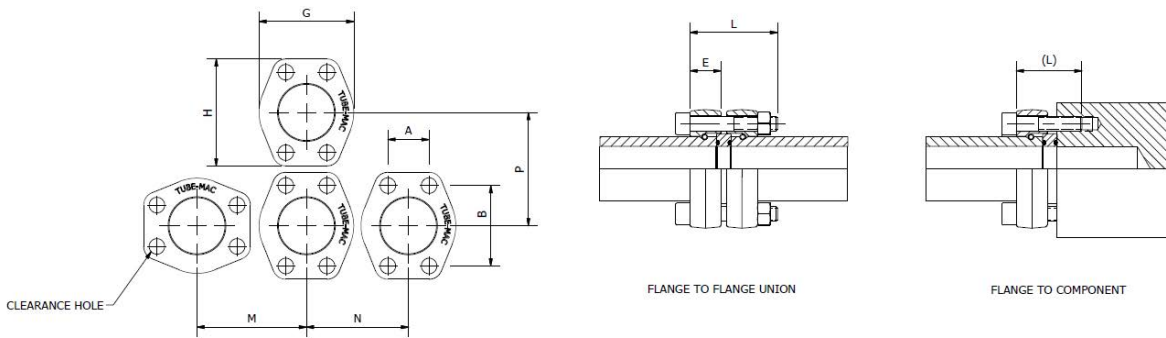
Ordering Example: CFR-SCH80-100-SS-V

* Insert Material _____

^ Insert O-Ring 2 Type _____

SAE 3000 PSI Retain Ring Flange Dimensions

SAE J518 Code 61 (ISO 6162-1)



Retain Ring Flange Dimensions, NPS

| Size | Dimensions (in) | | | | | | | | SHCS Bolt (in)* L (L) | Working Pressure PSI (Bar) |
|--------|-----------------|------|------|------|------|------|------|------|---------------------------|-------------------------------|
| | A | B | G | H | M | N | P | E | | |
| 1-1/2" | 1.41 | 2.75 | 3.25 | 3.66 | 3.58 | 3.35 | 3.78 | 1.06 | 1/2"-13 UNC x 3.00 (2.00) | 4000 (280) |
| 2" | 1.69 | 3.06 | 3.81 | 4.02 | 4.02 | 3.94 | 4.13 | 1.22 | 1/2"-13 UNC x 3.50 (2.00) | 4000 (280) |
| 2-1/2" | 2.00 | 3.50 | 4.28 | 4.49 | 4.49 | 4.37 | 4.61 | 1.40 | 1/2"-13 UNC x 4.00 (2.50) | 3000 (210) |
| 3" | 2.44 | 4.19 | 5.16 | 5.28 | 5.35 | 5.24 | 5.39 | 1.67 | 5/8"-11 UNC x 4.50 (2.75) | 3000 (210) |

* SHCS Bolt Specification

Carbon Steel: ASTM A574

316 Stainless Steel: ASTM A193 B8M Class 2

Retain Ring Flange Dimensions, Metric

| Size | Dimensions (mm) | | | | | | | | SHCS Bolt (mm)* L (L) | Working Pressure PSI (Bar) |
|--------|-----------------|-------|-------|-------|-------|-------|-------|------|--------------------------|-------------------------------|
| | A | B | G | H | M | N | P | E | | |
| 1/2" | 17.5 | 38.1 | 46.0 | 54.9 | 52.1 | 49.0 | 58.9 | 20.6 | M8 x 60 (40) | 5000 (350) |
| 3/4" | 22.4 | 47.8 | 52.3 | 65.0 | 61.0 | 55.1 | 68.1 | 20.8 | M10 x 65 (40) | 5000 (350) |
| 1" | 26.2 | 52.3 | 58.7 | 70.1 | 67.1 | 62.0 | 72.9 | 22.1 | M10 x 65(40) | 5000 (350) |
| 1-1/4" | 30.2 | 58.7 | 73.2 | 79.0 | 79.0 | 75.9 | 82.0 | 23.1 | M10 x 65 (45) | 4000 (280) |
| 1-1/2" | 35.8 | 69.9 | 82.6 | 93.0 | 90.9 | 85.1 | 96.0 | 26.9 | M12 x 75 (50) | 4000 (280) |
| 2" | 42.9 | 77.7 | 96.8 | 102.1 | 102.1 | 100.1 | 104.9 | 31.0 | M12 x 90 (50) | 4000 (280) |
| 2-1/2" | 50.8 | 88.9 | 108.7 | 114.0 | 114.0 | 111.0 | 117.1 | 35.6 | M12 x 100 (65) | 3000 (210) |
| 3" | 62.0 | 106.4 | 131.1 | 134.1 | 135.9 | 133.1 | 136.9 | 42.4 | M16 x 120 (70) | 3000 (210) |

* SHCS Bolt Specification

Carbon Steel: DIN912 / ISO4762 Grade 8.8

316 Stainless Steel: DIN912 / ISO4762 A480

3D step models available upon request

TUBE-MAC.com

Introduction

Technical
Data

Pipe
Selection
Guide

16 bar,
90° Flare

ANSI 150#,
300# Flare

SAE 1000,
70 bar

SAE 3000,
210 bar

SAE 6000,
420 bar

SAE 10000,

ISO 6164,
400 bar

Clamps

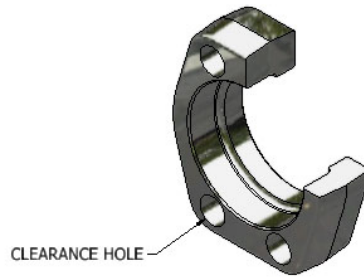
Valves, Ball
and Check

Machines

G25

SAE 3000 PSI Retain Ring Flange with Clearance Holes

SAE J518 Code 61 (ISO 6162-1)



RFAC34 – Retain Ring Flange with Clearance Holes, for Grooved NPS Pipe Only

| Size | Pipe O.D. (in) | Standard Part Number | Working Pressure PSI (Bar) | Weight lbs (kg) |
|--------|-------------------|----------------------|----------------------------|-----------------|
| 1-1/2" | 1-1/2" SCHXXS | RFAC34-150-* | 4000 (280) | 1.41 (0.64) |
| 2" | 2" SCH160/XXS | RFAC34-200-* | 4000 (280) | 2.01 (0.91) |
| 2-1/2" | 2-1/2" SCH160/XXS | RFAC34-250-* | 3000 (210) | 3.28 (1.49) |
| 3" | 3" SCH160/XXS | RFAC34-300-* | 3000 (210) | 5.14 (2.33) |

RFC34 – Retain Ring Flange with Clearance Holes, Metric

| Size | Pipe Size OD x Wall | Standard Part Number | Working Pressure PSI (Bar) | Weight lbs (kg) |
|--------|---------------------|----------------------|----------------------------|-----------------|
| 1/2" | 26X6.0 | RFC34-050-* | 5000 (350) | 0.40 (0.18) |
| 3/4" | 36X8.0 | RFC34-075-* | 5000 (350) | 0.46 (0.21) |
| 1" | 39X7.5 | RFC34-100-* | 5000 (350) | 0.58 (0.26) |
| 1-1/4" | 46X8.0 | RFCM34-125-* | 4000 (280) | 0.79 (0.36) |
| 1-1/2" | 56X8.5 | RFC34-150-* | 4000 (280) | 1.41 (0.64) |
| 2" | 66X8.5 | RFC34-200-* | 4000 (280) | 2.01 (0.91) |
| 2-1/2" | 80X10 | RFC34-250-* | 3000 (210) | 3.28 (1.49) |
| 3" | 97X12 | RFC34-300-* | 3000 (210) | 5.14 (2.33) |

*** Materials:**

Standard, No Designation = Carbon Steel, Clear Zinc Plated (Cr6 Free).

HDG = Carbon Steel, Hot Dip Galvanized.

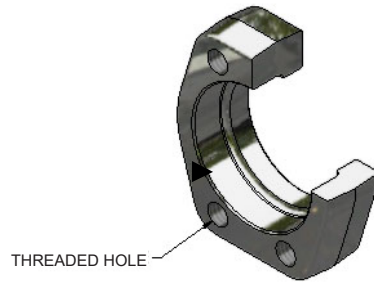
SS = Stainless Steel, Type 316.

Ordering Example: RFAC34-200-SS

* Insert Material

3000 PSI Retain Ring Flange with Threaded Holes

SAE J518 Code 61 (ISO 6162-1)



RFAT34 – Retain Ring Flange with UNC Threaded Holes, for Grooved NPS Pipe Only

| Size | Pipe Size | Standard Part Number | Working Pressure PSI (Bar) | Weight lbs (kg) |
|--------|---------------|----------------------|----------------------------|-----------------|
| 1-1/2" | 1-1/2" SCHXXS | RFAT34-150-* | 4000 (280) | 2.15 (0.98) |
| 2" | 2" SCH160/XXS | RFAT34-200-* | 4000 (280) | 2.65 (1.20) |

RFT34 – Retain Ring Flange with UNC Threaded Holes, for Metric Pipe

| Size | Pipe Size | Standard Part Number | Working Pressure PSI (Bar) | Weight lbs (kg) |
|--------|-----------|----------------------|----------------------------|-----------------|
| 1/2" | 26X6.0 | RFT34-050-* | 5000 (350) | 0.44 (0.20) |
| 3/4" | 36X8.0 | RFT34-075-* | 5000 (350) | 0.62 (0.28) |
| 1" | 39X7.5 | RFT34-100-* | 5000 (350) | 0.75 (0.34) |
| 1-1/4" | 46X8.0 | RFT34-125-* | 4000 (280) | 1.15 (0.52) |
| 1-1/2" | 56X8.5 | RFT34-150-* | 4000 (280) | 2.15 (0.98) |
| 2" | 66X8.5 | RFT34-200-* | 4000 (280) | 2.65 (1.20) |
| 2-1/2" | 80X10 | RFT34-250-* | 3000 (210) | 3.75 (1.70) |
| 3" | 97X12 | RFT34-300-* | 3000 (210) | 6.10 (2.77) |

RFTM34 – Retain Ring Flange with Metric Threaded Holes, for Metric Pipe

| Size | Pipe Size | Standard Part Number | Working Pressure PSI (Bar) | Weight lbs (kg) |
|--------|-----------|----------------------|----------------------------|-----------------|
| 1/2" | 26X6.0 | RFTM34-050-* | 5000 (350) | 0.44 (0.20) |
| 3/4" | 36X8.0 | RFTM34-075-* | 5000 (350) | 0.62 (0.28) |
| 1" | 39X7.5 | RFTM34-100-* | 5000 (350) | 0.75 (0.34) |
| 1-1/4" | 46X8.0 | RFTM34-125-* | 4000 (280) | 1.15 (0.52) |
| 1-1/2" | 56X8.5 | RFTM34-150-* | 4000 (280) | 2.15 (0.98) |
| 2" | 66X8.5 | RFTM34-200-* | 4000 (280) | 2.65 (1.20) |
| 2-1/2" | 80X10 | RFTM34-250-* | 3000 (210) | 3.75 (1.70) |
| 3" | 97X12 | RFTM34-300-* | 3000 (210) | 6.10 (2.77) |

*** Materials:**

Standard, No Designation = Carbon Steel, Clear Zinc Plated (Cr6 Free).

HDG = Carbon Steel, Hot Dip Galvanized.

SS = Stainless Steel, Type 316.

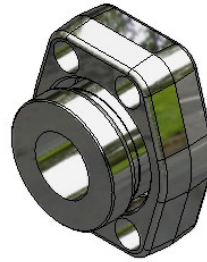
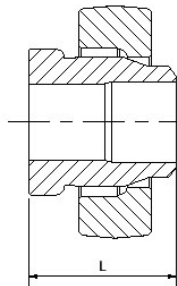
Ordering Example: RFT34-200-SS

* Insert Material

3D step models available upon request

SAE 3000 PSI Butt Weld Adapter Assembly (Bump Style) with Clearance Holes, NPS

SAE J518 Code 61 (ISO 6162-1)



Complete Flange Set Includes:

- One (1) Retain Ring Flange
- One (1) Weld Adapter Body

To be Ordered Separately:

- Bolt Kit (See Page G25)
- O-Ring Spacer (See Page G80)

A/BWA - Butt Weld Adapter Assembly (Bump Style) with Clearance Holes, NPS

| Size | Pipe Size | Complete Flange Set Part Number | WT/Set lbs (kg) | Dimension (in) L | Weld Adapter Body Part Number | Flange Part Number |
|--------|---------------|---------------------------------|-----------------|------------------|-------------------------------|--------------------|
| 1/2" | 1/2" SCH80 | A/BWA-SCH80-050-FC34-* | 0.64 (0.29) | 1.25 | BWA-SCH80-050-* | RFC34-050-* |
| 1/2" | 1/2" SCH160 | A/BWA-SCH160-050-FC34-* | 0.65 (0.29) | 1.25 | BWA-SCH160-050-* | RFC34-050-* |
| 1/2" | 1/2" SCHXXS | A/BWA-SCHXXS-050-FC34-* | 0.66 (0.30) | 1.25 | BWA-SCHXXS-050-* | RFC34-050-* |
| 3/4" | 3/4" SCH80 | A/BWA-SCH80-075-FC34-* | 0.92 (0.42) | 1.75 | BWA-SCH80-075-* | RFC34-075-* |
| 3/4" | 3/4" SCH160 | A/BWA-SCH160-075-FC34-* | 1.00 (0.45) | 1.75 | BWA-SCH160-075-* | RFC34-075-* |
| 3/4" | 3/4" SCHXXS | A/BWA-SCHXXS-075-FC34-* | 1.03 (0.48) | 1.75 | BWA-SCHXXS-075-* | RFC34-075-* |
| 1" | 1" SCH80 | A/BWA-SCH80-100-FC34-* | 1.08 (0.49) | 1.75 | BWA-SCH80-100-* | RFC34-100-* |
| 1" | 1" SCH160 | A/BWA-SCH160-100-FC34-* | 1.19 (0.54) | 1.75 | BWA-SCH160-100-* | RFC34-100-* |
| 1" | 1" SCHXXS | A/BWA-SCHXXS-100-FC34-* | 1.23 (0.56) | 1.75 | BWA-SCHXXS-100-* | RFC34-100-* |
| 1-1/4" | 1-1/4" SCH80 | A/BWA-SCH80-125-FC34-* | 1.62 (0.73) | 2.00 | BWA-SCH80-125-* | RFCM34-125-* |
| 1-1/4" | 1-1/4" SCH160 | A/BWA-SCH160-125-FC34-* | 1.65 (0.75) | 2.00 | BWA-SCH160-125-* | RFCM34-125-* |
| 1-1/4" | 1-1/4" SCHXXS | A/BWA-SCHXXS-125-FC34-* | 1.76 (0.80) | 2.00 | BWA-SCHXXS-125-* | RFCM34-125-* |
| 1-1/2" | 1-1/2" SCH80 | A/BWA-SCH80-150-FC34-* | 2.06 (0.93) | 2.25 | BWA-SCH80-150-* | RFC34-150-* |
| 1-1/2" | 1-1/2" SCH160 | A/BWA-SCH160-150-FC34-* | 2.70 (1.22) | 2.25 | BWA-SCH160-150-* | RFC34-150-* |
| 1-1/2" | 1-1/2" SCHXXS | A/BWA-SCHXXS-150-FC34-* | 2.72 (1.23) | 2.25 | BWA-SCHXXS-150-* | RFC34-150-* |
| 2" | 2" SCH80 | A/BWA-SCH80-200-FC34-* | 3.69 (1.67) | 2.50 | BWA-SCH80-200-* | RFC34-200-* |
| 2" | 2" SCH160 | A/BWA-SCH160-200-FC34-* | 3.86 (1.75) | 2.50 | BWA-SCH160-200-* | RFC34-200-* |
| 2" | 2" SCHXXS | A/BWA-SCHXXS-200-FC34-* | 3.90 (1.77) | 2.50 | BWA-SCHXXS-200-* | RFC34-200-* |
| 2-1/2" | 2-1/2" SCH80 | A/BWA-SCH80-250-FC34-* | 5.12 (2.32) | 2.63 | BWA-SCH80-250-* | RFC34-250-* |
| 2-1/2" | 2-1/2" SCH160 | A/BWA-SCH160-250-FC34-* | 5.35 (2.43) | 2.63 | BWA-SCH160-250-* | RFC34-250-* |
| 2-1/2" | 2-1/2" SCHXXS | A/BWA-SCHXXS-250-FC34-* | 5.70 (2.59) | 2.63 | BWA-SCHXXS-250-* | RFC34-250-* |
| 3" | 3" SCH80 | A/BWA-SCH80-300-FC34-* | 8.05 (3.50) | 2.75 | BWA-SCH80-300-* | RFC34-300-* |
| 3" | 3" SCH160 | A/BWA-SCH160-300-FC34-* | 7.89 (3.72) | 2.75 | BWA-SCH160-300-* | RFC34-300-* |
| 3" | 3" SCHXXS | A/BWA-SCHXXS-300-FC34-* | 9.20 (3.95) | 2.75 | BWA-SCHXXS-300-* | RFC34-300-* |

*** Materials:**

Standard, No Designation = All Carbon Steel, Clear Zinc Plated (Cr6 Free).

SS = Stainless Steel, Type 316.

Ordering Example: A/BWA-SCH80-200-FC34-SS

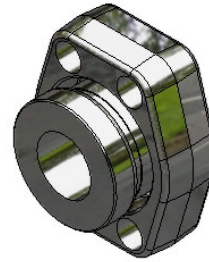
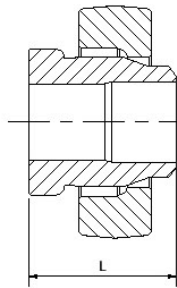
* Insert Material _____

Note:

To Order A Retain Ring Flange with Threaded Holes, Replace FC with FT in the Part Number

SAE 3000 PSI Butt Weld Adapter Assembly (Bump Style) with Clearance Holes, Metric

SAE J518 Code 61 (ISO 6162-1)



Complete Flange Set Includes:

- One (1) Retain Ring Flange
- One (1) Weld Adapter Body

To be Ordered Separately:

- Bolt Kit (See Page G25)
- O-Ring Spacer (See Page G80)

A/BWA - Butt Weld Adapter Assembly (Bump Style) with Clearance Holes, Metric

| Size | Pipe Size OD x Wall | Complete Flange Set Part Number | WT/Set lbs (kg) | Dimension (in) L | Weld Adapter Body Part Number | Flange Part Number |
|------|---------------------|---------------------------------|-----------------|------------------|-------------------------------|--------------------|
| 1/2" | 12.0X1.5 | A/BWA-12.0X1.5-050-FC34-* | 0.65 (0.29) | 38.1 | BWA-12.0X1.5-050-* | RFC34-050-* |
| 1/2" | 16.0X2.0 | A/BWA-16.0X2.0-050-FC34-* | 0.65 (0.29) | 38.1 | BWA-16.0X2.0-050-* | RFC34-050-* |
| 1/2" | 16.0X2.5 | A/BWA-16.0X2.5-050-FC34-* | 0.65 (0.29) | 38.1 | BWA-16.0X2.5-050-* | RFC34-050-* |
| 1/2" | 18.0X2.0 | A/BWA-18.0X2.0-050-FC34-* | 0.65 (0.29) | 38.1 | BWA-18.0X2.0-050-* | RFC34-050-* |
| 1/2" | 20.0X2.0 | A/BWA-20.0X2.0-050-FC34-* | 0.67 (0.30) | 38.1 | BWA-20.0X2.0-050-* | RFC34-050-* |
| 1/2" | 20.0X2.5 | A/BWA-20.0X2.5-050-FC34-* | 0.67 (0.30) | 38.1 | BWA-20.0X2.5-050-* | RFC34-050-* |
| 1/2" | 20.0X3.0 | A/BWA-20.0X3.0-050-FC34-* | 0.67 (0.30) | 38.1 | BWA-20.0X3.0-050-* | RFC34-050-* |
| 1/2" | 21.3X2.8 | A/BWA-SCH40-050-FC34-* | 0.63 (0.29) | 31.8 | BWA-SCH40-050-* | RFC34-050-* |
| 1/2" | 21.3X3.7 | A/BWA-SCH80-050-FC34-* | 0.64 (0.29) | 31.8 | BWA-SCH80-050-* | RFC34-050-* |
| 1/2" | 21.3X4.8 | A/BWA-SCH160-050-FC34-* | 0.65 (0.29) | 31.8 | BWA-SCH160-050-* | RFC34-050-* |
| 1/2" | 21.3X7.5 | A/BWA-SCHXXS-050-FC34-* | 0.66 (0.30) | 31.8 | BWA-SCHXXS-050-* | RFC34-050-* |
| 1/2" | 25.0X2.5 | A/BWA-25.0X2.5-050-FC34-* | 0.66 (0.30) | 38.1 | BWA-25.0X2.5-050-* | RFC34-050-* |
| 1/2" | 25.0X3.0 | A/BWA-25.0X3.0-050-FC34-* | 0.66 (0.30) | 38.1 | BWA-25.0X3.0-050-* | RFC34-050-* |
| 1/2" | 26.0X6.0 | A/BWA-26.0X6.0-050-FC34-* | 0.71 (0.32) | 38.1 | BWA-26.0X6.0-050-* | RFC34-050-* |
| 3/4" | 20.0X2.0 | A/BWA-20.0X2.0-075-FC34-* | 0.95 (0.43) | 44.5 | BWA-20.0X2.0-075-* | RFC34-075-* |
| 3/4" | 20.0X2.5 | A/BWA-20.0X2.5-075-FC34-* | 0.97 (0.44) | 44.5 | BWA-20.0X2.5-075-* | RFC34-075-* |
| 3/4" | 20.0X3.0 | A/BWA-20.0X3.0-075-FC34-* | 0.97 (0.44) | 44.5 | BWA-20.0X3.0-075-* | RFC34-075-* |
| 3/4" | 25.0X2.5 | A/BWA-25.0X2.5-075-FC34-* | 0.94 (0.43) | 44.5 | BWA-25.0X2.5-075-* | RFC34-075-* |
| 3/4" | 25.0X3.0 | A/BWA-25.0X3.0-075-FC34-* | 0.95 (0.43) | 44.5 | BWA-25.0X3.0-075-* | RFC34-075-* |
| 3/4" | 25.0X4.0 | A/BWA-25.0X4.0-075-FC34-* | 0.97 (0.44) | 44.5 | BWA-25.0X4.0-075-* | RFC34-075-* |
| 3/4" | 26.7X2.9 | A/BWA-SCH40-075-FC34-* | 0.90 (0.41) | 44.5 | BWA-SCH40-075-* | RFC34-075-* |
| 3/4" | 26.7X3.9 | A/BWA-SCH80-075-FC34-* | 0.92 (0.42) | 44.5 | BWA-SCH80-075-* | RFC34-075-* |
| 3/4" | 26.7X5.5 | A/BWA-SCH160-075-FC34-* | 1.00 (0.45) | 44.5 | BWA-SCH160-075-* | RFC34-075-* |
| 3/4" | 26.7X7.8 | A/BWA-SCHXXS-075-FC34-* | 1.03 (0.47) | 44.5 | BWA-SCHXXS-075-* | RFC34-075-* |
| 3/4" | 30.0X3.0 | A/BWA-30.0X3.0-075-FC34-* | 0.85 (0.39) | 44.5 | BWA-30.0X3.0-075-* | RFC34-075-* |
| 3/4" | 30.0X4.0 | A/BWA-30.0X4.0-075-FC34-* | 0.88 (0.40) | 44.5 | BWA-30.0X4.0-075-* | RFC34-075-* |
| 3/4" | 36.0X8.0 | A/BWA-36.0X8.0-075-FC34-* | 1.03 (0.47) | 44.5 | BWA-36.0X8.0-075-* | RFC34-075-* |

*** Materials:**

Standard, No Designation = All Carbon Steel, Clear Zinc Plated (Cr6 Free).
SS = Stainless Steel, Type 316.

Ordering Example: A/BWA-50.0X3.0-200-FC34-SS

* Insert Material _____

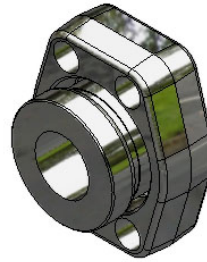
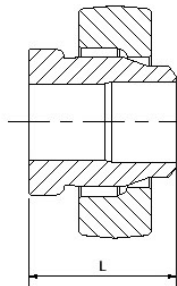
Note:

To Order A Retain Ring Flange with Threaded Holes, Replace FC with FT in the Part Number

3D step models available upon request

SAE 3000 PSI Butt Weld Adapter Assembly (Bump Style) with Clearance Holes, Metric

SAE J518 Code 61 (ISO 6162-1)



Complete Flange Set Includes:

- One (1) Retain Ring Flange
- One (1) Weld Adapter Body

To be Ordered Separately:

- Bolt Kit (See Page G25)
- O-Ring Spacer (See Page G80)

A/BWA - Butt Weld Adapter Assembly (Bump Style) with Clearance Holes, Metric

| Size | Pipe Size OD x Wall | Complete Flange Set Part Number | WT/Set lbs (kg) | Dimension (in) L | Weld Adapter Body Part Number | Flange Part Number |
|--------|------------------------|------------------------------------|--------------------|------------------------|----------------------------------|-----------------------|
| 1" | 25.0X2.5 | A/BWA-25.0X2.5-100-FC34-* | 1.06 (0.48) | 44.5 | BWA-25.0X2.5-100-* | RFC34-100-* |
| 1" | 25.0X3.0 | A/BWA-25.0X3.0-100-FC34-* | 1.06 (0.48) | 44.5 | BWA-25.0X3.0-100-* | RFC34-100-* |
| 1" | 25.0X4.0 | A/BWA-25.0X4.0-100-FC34-* | 1.09 (0.49) | 44.5 | BWA-25.0X4.0-100-* | RFC34-100-* |
| 1" | 30.0X3.0 | A/BWA-30.0X3.0-100-FC34-* | 1.10 (0.50) | 44.5 | BWA-30.0X3.0-100-* | RFC34-100-* |
| 1" | 30.0X4.0 | A/BWA-30.0X4.0-100-FC34-* | 1.08 (0.49) | 44.5 | BWA-30.0X4.0-100-* | RFC34-100-* |
| 1" | 30.0X5.0 | A/BWA-30.0X5.0-100-FC34-* | 1.15 (0.52) | 44.5 | BWA-30.0X5.0-100-* | RFC34-100-* |
| 1" | 33.4X3.4 | A/BWA-SCH40-100-FC34-* | 1.08 (0.49) | 44.5 | BWA-SCH40-100-* | RFC34-100-* |
| 1" | 33.4X4.6 | A/BWA-SCH80-100-FC34-* | 1.08 (0.49) | 44.5 | BWA-SCH80-100-* | RFC34-100-* |
| 1" | 33.4X6.4 | A/BWA-SCH160-100-FC34-* | 1.19 (0.54) | 44.5 | BWA-SCH160-100-* | RFC34-100-* |
| 1" | 33.4X9.1 | A/BWA-SCHXXS-100-FC34-* | 1.23 (0.56) | 44.5 | BWA-SCHXXS-100-* | RFC34-100-* |
| 1" | 38.0X4.0 | A/BWA-38.0X4.0-100-FC34-* | 1.08 (0.49) | 44.5 | BWA-38.0X4.0-100-* | RFC34-100-* |
| 1" | 38.0X5.0 | A/BWA-38.0X5.0-100-FC34-* | 1.08 (0.49) | 44.5 | BWA-38.0X5.0-100-* | RFC34-100-* |
| 1" | 38.0X6.0 | A/BWA-38.0X6.0-100-FC34-* | 1.17 (0.53) | 44.5 | BWA-38.0X6.0-100-* | RFC34-100-* |
| 1" | 39.0X7.5 | A/BWA-39.0X7.5-100-FC34-* | 1.20 (0.54) | 44.5 | BWA-39.0X7.5-100-* | RFC34-100-* |
| 1-1/4" | 30.0X3.0 | A/BWA-30.0X3.0-125-FCM34-* | 1.60 (0.73) | 50.8 | BWA-30.0X3.0-125-* | RFCM34-125-* |
| 1-1/4" | 30.0X4.0 | A/BWA-30.0X4.0-125-FCM34-* | 1.63 (0.74) | 50.8 | BWA-30.0X4.0-125-* | RFCM34-125-* |
| 1-1/4" | 30.0X5.0 | A/BWA-30.0X5.0-125-FCM34-* | 1.65 (0.75) | 50.8 | BWA-30.0X5.0-125-* | RFCM34-125-* |
| 1-1/4" | 38.0X4.0 | A/BWA-38.0X4.0-125-FCM34-* | 1.59 (0.72) | 50.8 | BWA-38.0X4.0-125-* | RFCM34-125-* |
| 1-1/4" | 38.0X5.0 | A/BWA-38.0X5.0-125-FCM34-* | 1.62 (0.73) | 50.8 | BWA-38.0X5.0-125-* | RFCM34-125-* |
| 1-1/4" | 38.0X6.0 | A/BWA-38.0X6.0-125-FCM34-* | 1.65 (0.75) | 50.8 | BWA-38.0X6.0-125-* | RFCM34-125-* |
| 1-1/4" | 42.0X3.0 | A/BWA-42.0X3.0-125-FCM34-* | 1.60 (0.72) | 50.8 | BWA-42.0X3.0-125-* | RFCM34-125-* |
| 1-1/4" | 42.0X4.0 | A/BWA-42.0X4.0-125-FCM34-* | 1.61 (0.73) | 50.8 | BWA-42.0X4.0-125-* | RFCM34-125-* |
| 1-1/4" | 42.2X3.6 | A/BWA-SCH40-125-FCM34-* | 1.61 (0.73) | 50.8 | BWA-SCH40-125-* | RFCM34-125-* |
| 1-1/4" | 42.2X4.9 | A/BWA-SCH80-125-FCM34-* | 1.61 (0.73) | 50.8 | BWA-SCH80-125-* | RFCM34-125-* |
| 1-1/4" | 42.2X6.4 | A/BWA-SCH160-125-FCM34-* | 1.61 (0.73) | 50.8 | BWA-SCH160-125-* | RFCM34-125-* |
| 1-1/4" | 42.2X9.7 | A/BWA-SCHXXS-125-FCM34-* | 1.76 (0.80) | 50.8 | BWA-SCHXXS-125-* | RFCM34-125-* |
| 1-1/4" | 46.0X8.5 | A/BWA-46.0X8.5-125-FCM34-* | 1.76 (0.80) | 50.8 | BWA-46.0X8.5-125-* | RFCM34-125-* |

*** Materials:**

Standard, No Designation = All Carbon Steel, Clear Zinc Plated (Cr6 Free).
SS = Stainless Steel, Type 316.

Ordering Example: A/BWA-50.0X3.0-200-FC34-SS

* Insert Material

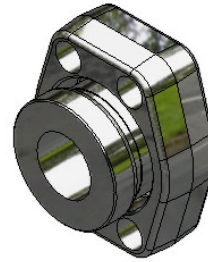
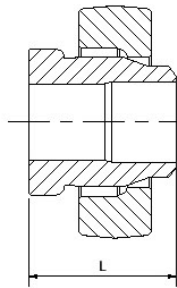
Note:

To Order A Retain Ring Flange with Threaded Holes, Replace FC with FT in the Part Number

3D step models available upon request

SAE 3000 PSI Butt Weld Adapter Assembly (Bump Style) with Clearance Holes, Metric

SAE J518 Code 61 (ISO 6162-1)



Complete Flange Set Includes:

- One (1) Retain Ring Flange
- One (1) Weld Adapter Body

To be Ordered Separately:

- Bolt Kit (See Page G25)
- O-Ring Spacer (See Page G80)

A/BWA - Butt Weld Adapter Assembly (Bump Style) with Clearance Holes, Metric

| Size | Pipe Size OD x Wall | Complete Flange Set Part Number | WT/Set lbs (kg) | Dimension (in) L | Weld Adapter Body Part Number | Flange Part Number |
|--------|---------------------|---------------------------------|-----------------|------------------|-------------------------------|--------------------|
| 1-1/2" | 30.0X3.0 | A/BWA-30.0X3.0-150-FC34-* | 2.45 (1.11) | 57.2 | BWA-30.0X3.0-150-* | RFC34-150-* |
| 1-1/2" | 38.0X4.0 | A/BWA-38.0X4.0-150-FC34-* | 2.40 (1.09) | 57.2 | BWA-38.0X4.0-150-* | RFC34-150-* |
| 1-1/2" | 38.0X5.0 | A/BWA-38.0X5.0-150-FC34-* | 2.35 (1.07) | 57.2 | BWA-38.0X5.0-150-* | RFC34-150-* |
| 1-1/2" | 38.0X6.0 | A/BWA-38.0X6.0-150-FC34-* | 2.48 (1.12) | 57.2 | BWA-38.0X6.0-150-* | RFC34-150-* |
| 1-1/2" | 42.0X3.0 | A/BWA-42.0X3.0-150-FC34-* | 2.30 (1.04) | 57.2 | BWA-42.0X3.0-150-* | RFC34-150-* |
| 1-1/2" | 42.0X4.0 | A/BWA-42.0X4.0-150-FC34-* | 2.35 (1.07) | 57.2 | BWA-42.0X4.0-150-* | RFC34-150-* |
| 1-1/2" | 48.3X3.7 | A/BWA-SCH40-150-FC34-* | 2.45 (1.11) | 57.2 | BWA-SCH40-150-* | RFC34-150-* |
| 1-1/2" | 48.3X5.1 | A/BWA-SCH80-150-FC34-* | 2.38 (1.08) | 57.2 | BWA-SCH80-150-* | RFC34-150-* |
| 1-1/2" | 48.3X7.1 | A/BWA-SCH160-150-FC34-* | 2.70 (1.22) | 57.2 | BWA-SCH160-150-* | RFC34-150-* |
| 1-1/2" | 48.3X10.2 | A/BWA-SCHXXS-150-FC34-* | 2.64 (1.20) | 57.2 | BWA-SCHXXS-150-* | RFC34-150-* |
| 1-1/2" | 50.0X3.0 | A/BWA-50.0X3.0-150-FC34-* | 2.32 (1.05) | 57.2 | BWA-50.0X3.0-150-* | RFC34-150-* |
| 1-1/2" | 50.0X5.0 | A/BWA-50.0X5.0-150-FC34-* | 2.25 (1.20) | 57.2 | BWA-50.0X5.0-150-* | RFC34-150-* |
| 1-1/2" | 56.0X8.5 | A/BWA-56.0X8.5-150-FC34-* | 2.68 (1.22) | 57.2 | BWA-56.0X8.5-150-* | RFC34-150-* |
| 2" | 50.0X3.0 | A/BWA-50.0X3.0-200-FC34-* | 3.54 (1.61) | 63.5 | BWA-50.0X3.0-200-* | RFC34-200-* |
| 2" | 50.0X5.0 | A/BWA-50.0X5.0-200-FC34-* | 3.67 (1.66) | 63.5 | BWA-50.0X5.0-200-* | RFC34-200-* |
| 2" | 50.0X6.0 | A/BWA-50.0X6.0-200-FC34-* | 3.74 (1.70) | 63.5 | BWA-50.0X6.0-200-* | RFC34-200-* |
| 2" | 60.0X3.0 | A/BWA-60.0X3.0-200-FC34-* | 3.43 (1.56) | 63.5 | BWA-60.0X3.0-200-* | RFC34-200-* |
| 2" | 60.0X5.0 | A/BWA-60.0X5.0-200-FC34-* | 3.16 (1.43) | 63.5 | BWA-60.0X5.0-200-* | RFC34-200-* |
| 2" | 60.0X6.0 | A/BWA-60.0X6.0-200-FC34-* | 3.61 (1.64) | 63.5 | BWA-60.0X6.0-200-* | RFC34-200-* |
| 2" | 60.0X8.0 | A/BWA-60.0X8.0-200-FC34-* | 3.80 (1.72) | 63.5 | BWA-60.0X8.0-200-* | RFC34-200-* |
| 2" | 60.3X3.9 | A/BWA-SCH40-200-FC34-* | 3.59 (1.63) | 63.5 | BWA-SCH40-200-* | RFC34-200-* |
| 2" | 60.3X5.5 | A/BWA-SCH80-200-FC34-* | 3.69 (1.67) | 63.5 | BWA-SCH80-200-* | RFC34-200-* |
| 2" | 60.3X8.7 | A/BWA-SCH160-200-FC34-* | 3.86 (1.75) | 63.5 | BWA-SCH160-200-* | RFC34-200-* |
| 2" | 60.3X11.1 | A/BWA-SCHXXS-200-FC34-* | 3.90 (1.77) | 63.5 | BWA-SCHXXS-200-* | RFC34-200-* |
| 2" | 66.0X8.5 | A/BWA-66.0X8.5-200-FC34-* | 3.75 (1.70) | 63.5 | BWA-66.0X8.5-200-* | RFC34-200-* |

*** Materials:**

Standard, No Designation = All Carbon Steel, Clear Zinc Plated (Cr6 Free).
 SS = Stainless Steel, Type 316.

Ordering Example: A/BWA-50.0X3.0-200-FC34-SS

* Insert Material _____

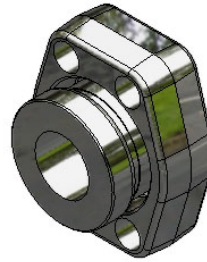
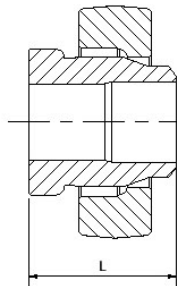
Note:

To Order A Retain Ring Flange with Threaded Holes, Replace FC with FT in the Part Number

3D step models available upon request

SAE 3000 PSI Butt Weld Adapter Assembly (Bump Style) with Clearance Holes, Metric

SAE J518 Code 61 (ISO 6162-1)



Complete Flange Set Includes:

- One (1) Retain Ring Flange
- One (1) Weld Adapter Body

To be Ordered Separately:

- Bolt Kit (See Page G25)
- O-Ring Spacer (See Page G80)

A/BWA - Butt Weld Adapter Assembly (Bump Style) with Clearance Holes, Metric

| Size | Pipe Size OD x Wall | Complete Flange Set Part Number | WT/Set lbs (kg) | Dimension (in) L | Weld Adapter Body Part Number | Flange Part Number |
|--------|------------------------|------------------------------------|--------------------|------------------------|----------------------------------|-----------------------|
| 2-1/2" | 60.0X5.0 | A/BWA-60.0X5.0-250-FC34-* | 4.87 (2.21) | 66.7 | BWA-60.0X5.0-250-* | RFC34-250-* |
| 2-1/2" | 60.0X6.0 | A/BWA-60.0X6.0-250-FC34-* | 4.95 (2.25) | 66.7 | BWA-60.0X6.0-250-* | RFC34-250-* |
| 2-1/2" | 65.0X8.0 | A/BWA-65.0X8.0-250-FC34-* | 5.02 (2.28) | 66.7 | BWA-65.0X8.0-250-* | RFC34-250-* |
| 2-1/2" | 73.0X5.2 | A/BWA-SCH40-250-FC34-* | 4.61 (2.09) | 66.7 | BWA-SCH40-250-* | RFC34-250-* |
| 2-1/2" | 73.0X7.0 | A/BWA-SCH80-250-FC34-* | 4.91 (2.23) | 66.7 | BWA-SCH80-250-* | RFC34-250-* |
| 2-1/2" | 73.0X9.5 | A/BWA-SCH160-250-FC34-* | 5.13 (2.33) | 66.7 | BWA-SCH160-250-* | RFC34-250-* |
| 2-1/2" | 73.0X14.0 | A/BWA-SCHXXS-250-FC34-* | 5.49 (2.49) | 66.7 | BWA-SCHXXS-250-* | RFC34-250-* |
| 2-1/2" | 75.0X5.0 | A/BWA-75.0X5.0-250-FC34-* | 4.41 (2.00) | 66.7 | BWA-75.0X5.0-250-* | RFC34-250-* |
| 2-1/2" | 75.0X7.0 | A/BWA-75.0X7.0-250-FC34-* | 4.85 (2.20) | 66.7 | BWA-75.0X7.0-250-* | RFC34-250-* |
| 2-1/2" | 76.1X6.3 | A/BWA-76.1X6.3-250-FC34-* | 4.66 (2.11) | 66.7 | BWA-76.1X6.3-250-* | RFC34-250-* |
| 2-1/2" | 76.1X12.5 | A/BWA-76.1X12.5-250-FC34-* | 5.15 (2.36) | 66.7 | BWA-76.1X12.5-250-* | RFC34-250-* |
| 2-1/2" | 80.0X10.0 | A/BWA-80.0X10.0-250-FC34-* | 5.02 (2.28) | 66.7 | BWA-80.0X10.0-250-* | RFC34-250-* |
| 3" | 75.0X5.0 | A/BWA-75.0X5.0-300-FC34-* | 7.73 (3.50) | 69.9 | BWA-75.0X5.0-300-* | RFC34-300-* |
| 3" | 80.0X10.0 | A/BWA-80.0X10.0-300-FC34-* | 8.08 (3.67) | 69.9 | BWA-80.0X10.0-300-* | RFC34-300-* |
| 3" | 88.9X5.5 | A/BWA-SCH40-300-FC34-* | 7.63 (3.46) | 69.9 | BWA-SCH40-300-* | RFC34-300-* |
| 3" | 88.9X7.6 | A/BWA-SCH80-300-FC34-* | 8.05 (3.65) | 69.9 | BWA-SCH80-300-* | RFC34-300-* |
| 3" | 88.9X11.1 | A/BWA-SCH160-300-FC34-* | 7.89 (3.58) | 69.9 | BWA-SCH160-300-* | RFC34-300-* |
| 3" | 88.9X15.2 | A/BWA-SCHXXS-300-FC34-* | 9.24 (4.19) | 69.9 | BWA-SCHXXS-300-* | RFC34-300-* |
| 3" | 90.0X3.5 | A/BWA-90X3.5-300-FC34-* | 7.45 (3.38) | 69.9 | BWA-90X3.5-300-* | RFC34-300-* |
| 3" | 90.0X5.0 | A/BWA-90X5.0-300-FC34-* | 7.60 (3.45) | 69.9 | BWA-90X5.0-300-* | RFC34-300-* |
| 3" | 97.0X12.0 | A/BWA-97.0X12.0-300-FC34-* | 8.29 (3.76) | 69.9 | BWA-97.0X12.0-300-* | RFC34-300-* |

*** Materials:**

Standard, No Designation = All Carbon Steel, Clear Zinc Plated (Cr6 Free).
SS = Stainless Steel, Type 316.

Ordering Example: A/BWA-50.0X3.0-200-FC34-SS

* Insert Material

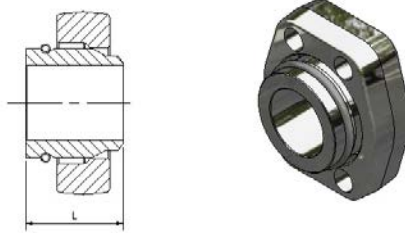
Note:

To Order A Retain Ring Flange with Threaded Holes, Replace FC with FT in the Part Number

3D step models available upon request

SAE 3000 PSI Butt Weld Adapter Assembly Retain Ring Style with Clearance Holes, NPS

SAE J518 Code 61 (ISO 6162-1)



Complete Flange Set Includes:

- One (1) Retain Ring Flange
- One (1) Weld Adapter Body
- One (1) Retain Ring

To be Ordered Separately:

- Bolt Kit (See Page G25)
- O-Ring Spacer (See Page G80)

A/BWAR - Butt Weld Adapter Assembly Retain Ring Style with Clearance Holes, NPS

| Size | Pipe Size | Complete Flange Set Part Number | WT/Set lbs (kg) | Dimension (in) L | Weld Adapter Body Part Number | Flange Part Number | Retain Ring (Stainless Steel) Part Number |
|--------|---------------|---------------------------------|-----------------|------------------|-------------------------------|--------------------|---|
| 1/2" | 1/2" SCH80 | A/BWAR-SCH80-050-FC34-* | 0.64 (0.29) | 1.25 | BWAR-SCH80-050-* | RFC34-050-* | R-050 |
| 1/2" | 1/2" SCH160 | A/BWAR-SCH160-050-FC34-* | 0.65 (0.29) | 1.25 | BWAR-SCH160-050-* | RFC34-050-* | R-050 |
| 1/2" | 1/2" SCHXXS | A/BWAR-SCHXXS-050-FC34-* | 0.66 (0.30) | 1.25 | BWAR-SCHXXS-050-* | RFC34-050-* | R-050 |
| 3/4" | 3/4" SCH80 | A/BWAR-SCH80-075-FC34-* | 0.92 (0.42) | 1.75 | BWAR-SCH80-075-* | RFC34-075-* | R-075 |
| 3/4" | 3/4" SCH160 | A/BWAR-SCH160-075-FC34-* | 1.00 (0.45) | 1.75 | BWAR-SCH160-075-* | RFC34-075-* | R-075 |
| 3/4" | 3/4" SCHXXS | A/BWAR-SCHXXS-075-FC34-* | 1.03 (0.48) | 1.75 | BWAR-SCHXXS-075-* | RFC34-075-* | R-075 |
| 1" | 1" SCH80 | A/BWAR-SCH80-100-FC34-* | 1.08 (0.49) | 1.75 | BWAR-SCH80-100-* | RFC34-100-* | R-100 |
| 1" | 1" SCH160 | A/BWAR-SCH160-100-FC34-* | 1.19 (0.54) | 1.75 | BWAR-SCH160-100-* | RFC34-100-* | R-100 |
| 1" | 1" SCHXXS | A/BWAR-SCHXXS-100-FC34-* | 1.23 (0.56) | 1.75 | BWAR-SCHXXS-100-* | RFC34-100-* | R-100 |
| 1-1/4" | 1-1/4" SCH80 | A/BWAR-SCH80-125-FC34-* | 1.62 (0.73) | 2.00 | BWAR-SCH80-125-* | RFCM34-125-* | R-125 |
| 1-1/4" | 1-1/4" SCH160 | A/BWAR-SCH160-125-FC34-* | 1.65 (0.75) | 2.00 | BWAR-SCH160-125-* | RFCM34-125-* | R-125 |
| 1-1/4" | 1-1/4" SCHXXS | A/BWAR-SCHXXS-125-FC34-* | 1.76 (0.80) | 2.00 | BWAR-SCHXXS-125-* | RFCM34-125-* | R-125 |
| 1-1/2" | 1-1/2" SCH80 | A/BWAR-SCH80-150-FC34-* | 2.06 (0.93) | 2.25 | BWAR-SCH80-150-* | RFC34-150-* | R-150 |
| 1-1/2" | 1-1/2" SCH160 | A/BWAR-SCH160-150-FC34-* | 2.70 (1.22) | 2.25 | BWAR-SCH160-150-* | RFC34-150-* | R-150 |
| 1-1/2" | 1-1/2" SCHXXS | A/BWAR-SCHXXS-150-FC34-* | 2.72 (1.23) | 2.25 | BWAR-SCHXXS-150-* | RFC34-150-* | R-150 |
| 2" | 2" SCH80 | A/BWAR-SCH80-200-FC34-* | 3.69 (1.67) | 2.50 | BWAR-SCH80-200-* | RFC34-200-* | R-200 |
| 2" | 2" SCH160 | A/BWAR-SCH160-200-FC34-* | 3.86 (1.75) | 2.50 | BWAR-SCH160-200-* | RFC34-200-* | R-200 |
| 2" | 2" SCHXXS | A/BWAR-SCHXXS-200-FC34-* | 3.90 (1.77) | 2.50 | BWAR-SCHXXS-200-* | RFC34-200-* | R-200 |
| 2-1/2" | 2-1/2" SCH80 | A/BWAR-SCH80-250-FC34-* | 5.12 (2.32) | 2.63 | BWAR-SCH80-250-* | RFC34-250-* | R-250 |
| 2-1/2" | 2-1/2" SCH160 | A/BWAR-SCH160-250-FC34-* | 5.35 (2.43) | 2.63 | BWAR-SCH160-250-* | RFC34-250-* | R-250 |
| 2-1/2" | 2-1/2" SCHXXS | A/BWAR-SCHXXS-250-FC34-* | 5.70 (2.59) | 2.63 | BWAR-SCHXXS-250-* | RFC34-250-* | R-250 |
| 3" | 3" SCH80 | A/BWAR-SCH80-300-FC34-* | 8.05 (3.50) | 2.75 | BWAR-SCH80-300-* | RFC34-300-* | R-300 |
| 3" | 3" SCH160 | A/BWAR-SCH160-300-FC34-* | 7.89 (3.72) | 2.75 | BWAR-SCH160-300-* | RFC34-300-* | R-300 |
| 3" | 3" SCHXXS | A/BWAR-SCHXXS-300-FC34-* | 9.20 (3.95) | 2.75 | BWAR-SCHXXS-300-* | RFC34-300-* | R-300 |

* Materials:

Standard, No Designation = All Carbon Steel, Clear Zinc Plated (Cr6 Free).

SS = Stainless Steel, Type 316.

ZSS = Carbon Steel Flange with Stainless Steel Cone, Type 316.

HDGSS = Carbon Steel, Hot Dip Galvanized Flange with Stainless Steel Cone, Type 316.

Note:

To Order A Retain Ring Flange with Threaded Holes, Replace FC with FT in the Part Number

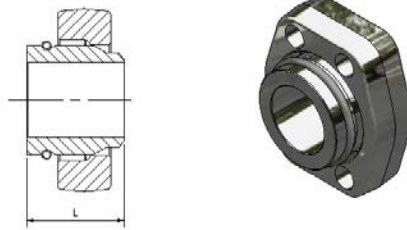
Ordering Example: A/BWAR-SCH80-200-FC34-SS

* Insert Material _____

3D step models available upon request

SAE 3000 PSI Butt Weld Adapter Assembly Retain Ring Style with Clearance Holes, Metric

SAE J518 Code 61 (ISO 6162-1)



Complete Flange Set Includes:

- One (1) Retain Ring Flange
- One (1) Weld Adapter Body
- One (1) Retain Ring

To be Ordered Separately:

- Bolt Kit (See Page G25)
- O-Ring Spacer (See Page G80)

A/BWAR - Butt Weld Adapter Assembly Retain Ring Style with Clearance Holes, Metric

| Size | Pipe Size OD x Wall | Complete Flange Set Part Number | WT/Set lbs (kg) | Dimension (mm) L | Weld Adapter Body Part Number | Flange Part Number | Retain Ring (Stainless Steel) Part Number |
|------|---------------------|---------------------------------|-----------------|------------------|-------------------------------|--------------------|---|
| 1/2" | 12.0X1.5 | A/BWAR-12.0X1.5-050-FC34-* | 0.65 (0.29) | 38.1 | BWAR-12.0X1.5-050-* | RFC34-050-* | R-050 |
| 1/2" | 16.0X2.0 | A/BWAR-16.0X2.0-050-FC34-* | 0.65 (0.29) | 38.1 | BWAR-16.0X2.0-050-* | RFC34-050-* | R-050 |
| 1/2" | 16.0X2.5 | A/BWAR-16.0X2.5-050-FC34-* | 0.65 (0.29) | 38.1 | BWAR-16.0X2.5-050-* | RFC34-050-* | R-050 |
| 1/2" | 18.0X2.0 | A/BWAR-18.0X2.0-050-FC34-* | 0.65 (0.29) | 38.1 | BWAR-18.0X2.0-050-* | RFC34-050-* | R-050 |
| 1/2" | 20.0X2.0 | A/BWAR-20.0X2.0-050-FC34-* | 0.67 (0.30) | 38.1 | BWAR-20.0X2.0-050-* | RFC34-050-* | R-050 |
| 1/2" | 20.0X2.5 | A/BWAR-20.0X2.5-050-FC34-* | 0.67 (0.30) | 38.1 | BWAR-20.0X2.5-050-* | RFC34-050-* | R-050 |
| 1/2" | 20.0X3.0 | A/BWAR-20.0X3.0-050-FC34-* | 0.67 (0.30) | 38.1 | BWAR-20.0X3.0-050-* | RFC34-050-* | R-050 |
| 1/2" | 21.3X2.8 | A/BWAR-SCH40-050-FC34-* | 0.63 (0.29) | 31.8 | BWAR-SCH40-050-* | RFC34-050-* | R-050 |
| 1/2" | 21.3X3.7 | A/BWAR-SCH80-050-FC34-* | 0.64 (0.29) | 31.8 | BWAR-SCH80-050-* | RFC34-050-* | R-050 |
| 1/2" | 21.3X4.8 | A/BWAR-SCH160-050-FC34-* | 0.65 (0.29) | 31.8 | BWAR-SCH160-050-* | RFC34-050-* | R-050 |
| 1/2" | 21.3X7.5 | A/BWAR-SCHXXS-050-FC34-* | 0.66 (0.30) | 31.8 | BWAR-SCHXXS-050-* | RFC34-050-* | R-050 |
| 1/2" | 25.0X2.5 | A/BWAR-25.0X2.5-050-FC34-* | 0.66 (0.30) | 38.1 | BWAR-25.0X2.5-050-* | RFC34-050-* | R-050 |
| 1/2" | 25.0X3.0 | A/BWAR-25.0X3.0-050-FC34-* | 0.66 (0.30) | 38.1 | BWAR-25.0X3.0-050-* | RFC34-050-* | R-050 |
| 1/2" | 26.0X6.0 | A/BWAR-26.0X6.0-050-FC34-* | 0.71 (0.32) | 38.1 | BWAR-26.0X6.0-050-* | RFC34-050-* | R-050 |
| 3/4" | 20.0X2.0 | A/BWAR-20.0X2.0-075-FC34-* | 0.95 (0.43) | 44.5 | BWAR-20.0X2.0-075-* | RFC34-075-* | R-075 |
| 3/4" | 20.0X2.5 | A/BWAR-20.0X2.5-075-FC34-* | 0.97 (0.44) | 44.5 | BWAR-20.0X2.5-075-* | RFC34-075-* | R-075 |
| 3/4" | 20.0X3.0 | A/BWAR-20.0X3.0-075-FC34-* | 0.97 (0.44) | 44.5 | BWAR-20.0X3.0-075-* | RFC34-075-* | R-075 |
| 3/4" | 25.0X2.5 | A/BWAR-25.0X2.5-075-FC34-* | 0.94 (0.43) | 44.5 | BWAR-25.0X2.5-075-* | RFC34-075-* | R-075 |
| 3/4" | 25.0X3.0 | A/BWAR-25.0X3.0-075-FC34-* | 0.95 (0.43) | 44.5 | BWAR-25.0X3.0-075-* | RFC34-075-* | R-075 |
| 3/4" | 25.0X4.0 | A/BWAR-25.0X4.0-075-FC34-* | 0.97 (0.44) | 44.5 | BWAR-25.0X4.0-075-* | RFC34-075-* | R-075 |
| 3/4" | 26.7X2.9 | A/BWAR-SCH40-075-FC34-* | 0.90 (0.41) | 44.5 | BWAR-SCH40-075-* | RFC34-075-* | R-075 |
| 3/4" | 26.7X3.9 | A/BWAR-SCH80-075-FC34-* | 0.92 (0.42) | 44.5 | BWAR-SCH80-075-* | RFC34-075-* | R-075 |
| 3/4" | 26.7X5.5 | A/BWAR-SCH160-075-FC34-* | 1.00 (0.45) | 44.5 | BWAR-SCH160-075-* | RFC34-075-* | R-075 |
| 3/4" | 26.7X7.8 | A/BWAR-SCHXXS-075-FC34-* | 1.03 (0.47) | 44.5 | BWAR-SCHXXS-075-* | RFC34-075-* | R-075 |
| 3/4" | 30.0X3.0 | A/BWAR-30.0X3.0-075-FC34-* | 0.85 (0.39) | 44.5 | BWAR-30.0X3.0-075-* | RFC34-075-* | R-075 |
| 3/4" | 30.0X4.0 | A/BWAR-30.0X4.0-075-FC34-* | 0.88 (0.40) | 44.5 | BWAR-30.0X4.0-075-* | RFC34-075-* | R-075 |
| 3/4" | 36.0X8.0 | A/BWAR-36.0X8.0-075-FC34-* | 1.03 (0.47) | 44.5 | BWAR-36.0X8.0-075-* | RFC34-075-* | R-075 |

*** Materials:**

Standard, No Designation = All Carbon Steel, Clear Zinc Plated (Cr6 Free).

SS = Stainless Steel, Type 316.

Ordering Example: A/BWAR-50.0X3.0-200-FC34-SS

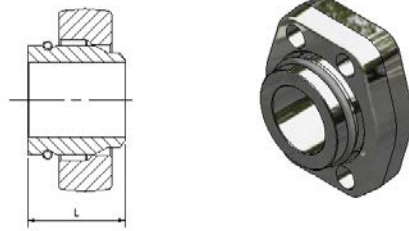
* Insert Material

Note:

To Order A Retain Ring Flange with Threaded Holes, Replace FC with FTM in the Part Number.

SAE 3000 PSI Butt Weld Adapter Assembly Retain Ring Style with Clearance Holes, Metric

SAE J518 Code 61 (ISO 6162-1)



Complete Flange Set Includes:

- One (1) Retain Ring Flange
- One (1) Weld Adapter Body
- One (1) Retain Ring

To be Ordered Separately:

- Bolt Kit (See Page G25)
- O-Ring Spacer (See Page G80)

A/BWAR - Butt Weld Adapter Assembly Retain Ring Style with Clearance Holes, Metric

| Size | Pipe Size OD x Wall | Complete Flange Set Part Number | WT/Set lbs (kg) | Dimension (mm) L | Weld Adapter Body Part Number | Flange Part Number | Retain Ring (Stainless Steel) Part Number |
|--------|---------------------|---------------------------------|-----------------|------------------|-------------------------------|--------------------|---|
| 1" | 25.0X2.5 | A/BWAR-25.0X2.5-100-FC34-* | 1.06 (0.48) | 44.5 | BWAR-25.0X2.5-100-* | RFC34-100-* | R-100 |
| 1" | 25.0X3.0 | A/BWAR-25.0X3.0-100-FC34-* | 1.06 (0.48) | 44.5 | BWAR-25.0X3.0-100-* | RFC34-100-* | R-100 |
| 1" | 25.0X4.0 | A/BWAR-25.0X4.0-100-FC34-* | 1.09 (0.49) | 44.5 | BWAR-25.0X4.0-100-* | RFC34-100-* | R-100 |
| 1" | 30.0X3.0 | A/BWAR-30.0X3.0-100-FC34-* | 1.10 (0.50) | 44.5 | BWAR-30.0X3.0-100-* | RFC34-100-* | R-100 |
| 1" | 30.0X4.0 | A/BWAR-30.0X4.0-100-FC34-* | 1.08 (0.49) | 44.5 | BWAR-30.0X4.0-100-* | RFC34-100-* | R-100 |
| 1" | 30.0X5.0 | A/BWAR-30.0X5.0-100-FC34-* | 1.15 (0.52) | 44.5 | BWAR-30.0X5.0-100-* | RFC34-100-* | R-100 |
| 1" | 33.4X3.4 | A/BWAR-SCH40-100-FC34-* | 1.08 (0.49) | 44.5 | BWAR-SCH40-100-* | RFC34-100-* | R-100 |
| 1" | 33.4X4.6 | A/BWAR-SCH80-100-FC34-* | 1.08 (0.49) | 44.5 | BWAR-SCH80-100-* | RFC34-100-* | R-100 |
| 1" | 33.4X6.4 | A/BWAR-SCH160-100-FC34-* | 1.19 (0.54) | 44.5 | BWAR-SCH160-100-* | RFC34-100-* | R-100 |
| 1" | 33.4X9.1 | A/BWAR-SCHXXS-100-FC34-* | 1.23 (0.56) | 44.5 | BWAR-SCHXXS-100-* | RFC34-100-* | R-100 |
| 1" | 38.0X4.0 | A/BWAR-38.0X4.0-100-FC34-* | 1.08 (0.49) | 44.5 | BWAR-38.0X4.0-100-* | RFC34-100-* | R-100 |
| 1" | 38.0X5.0 | A/BWAR-38.0X5.0-100-FC34-* | 1.08 (0.49) | 44.5 | BWAR-38.0X5.0-100-* | RFC34-100-* | R-100 |
| 1" | 38.0X6.0 | A/BWAR-38.0X6.0-100-FC34-* | 1.17 (0.53) | 44.5 | BWAR-38.0X6.0-100-* | RFC34-100-* | R-100 |
| 1" | 39.0X7.5 | A/BWAR-39.0X7.5-100-FC34-* | 1.20 (0.54) | 44.5 | BWAR-39.0X7.5-100-* | RFC34-100-* | R-100 |
| 1-1/4" | 30.0X3.0 | A/BWAR-30.0X3.0-125-FCM34-* | 1.60 (0.73) | 50.8 | BWAR-30.0X3.0-125-* | RFCM34-125-* | R-125 |
| 1-1/4" | 30.0X4.0 | A/BWAR-30.0X4.0-125-FCM34-* | 1.63 (0.74) | 50.8 | BWAR-30.0X4.0-125-* | RFCM34-125-* | R-125 |
| 1-1/4" | 30.0X5.0 | A/BWAR-30.0X5.0-125-FCM34-* | 1.65 (0.75) | 50.8 | BWAR-30.0X5.0-125-* | RFCM34-125-* | R-125 |
| 1-1/4" | 38.0X4.0 | A/BWAR-38.0X4.0-125-FCM34-* | 1.59 (0.72) | 50.8 | BWAR-38.0X4.0-125-* | RFCM34-125-* | R-125 |
| 1-1/4" | 38.0X5.0 | A/BWAR-38.0X5.0-125-FCM34-* | 1.62 (0.73) | 50.8 | BWAR-38.0X5.0-125-* | RFCM34-125-* | R-125 |
| 1-1/4" | 38.0X6.0 | A/BWAR-38.0X6.0-125-FCM34-* | 1.65 (0.75) | 50.8 | BWAR-38.0X6.0-125-* | RFCM34-125-* | R-125 |
| 1-1/4" | 42.0X3.0 | A/BWAR-42.0X3.0-125-FCM34-* | 1.60 (0.72) | 50.8 | BWAR-42.0X3.0-125-* | RFCM34-125-* | R-125 |
| 1-1/4" | 42.0X4.0 | A/BWAR-42.0X4.0-125-FCM34-* | 1.61 (0.73) | 50.8 | BWAR-42.0X4.0-125-* | RFCM34-125-* | R-125 |
| 1-1/4" | 42.2X3.6 | A/BWAR-SCH40-125-FCM34-* | 1.61 (0.73) | 50.8 | BWAR-SCH40-125-* | RFCM34-125-* | R-125 |
| 1-1/4" | 42.2X4.9 | A/BWAR-SCH80-125-FCM34-* | 1.61 (0.73) | 50.8 | BWAR-SCH80-125-* | RFCM34-125-* | R-125 |
| 1-1/4" | 42.2X6.4 | A/BWAR-SCH160-125-FCM34-* | 1.61 (0.73) | 50.8 | BWAR-SCH160-125-* | RFCM34-125-* | R-125 |
| 1-1/4" | 42.2X9.7 | A/BWAR-SCHXXS-125-FCM34-* | 1.76 (0.80) | 50.8 | BWAR-SCHXXS-125-* | RFCM34-125-* | R-125 |
| 1-1/4" | 46.0X8.5 | A/BWAR-46.0X8.5-125-FCM34-* | 1.76 (0.80) | 50.8 | BWAR-46.0X8.5-125-* | RFCM34-125-* | R-125 |

*** Materials:**

Standard, No Designation = All Carbon Steel, Clear Zinc Plated (Cr6 Free).

SS = Stainless Steel, Type 316.

Ordering Example: A/BWAR-50.0X3.0-200-FC34-SS

* Insert Material _____

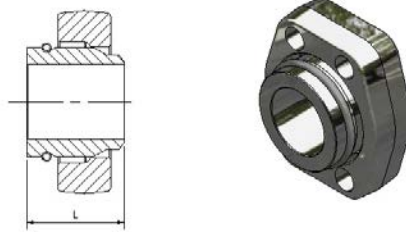
Note:

To Order A Retain Ring Flange with Threaded Holes, Replace FC with FTM in the Part Number.

3D step models available upon request

SAE 3000 PSI Butt Weld Adapter Assembly Retain Ring Style with Clearance Holes, Metric

SAE J518 Code 61 (ISO 6162-1)



Complete Flange Set Includes:

- One (1) Retain Ring Flange
- One (1) Weld Adapter Body
- One (1) Retain Ring

To be Ordered Separately:

- Bolt Kit (See Page G25)
- O-Ring Spacer (See Page G80)

A/BWAR - Butt Weld Adapter Assembly Retain Ring Style with Clearance Holes, Metric

| Size | Pipe Size OD x Wall | Complete Flange Set Part Number | WT/Set lbs (kg) | Dimension (mm) L | Weld Adapter Body Part Number | Flange Part Number | Retain Ring (Stainless Steel) Part Number |
|--------|---------------------|---------------------------------|-----------------|------------------|-------------------------------|--------------------|---|
| 1-1/2" | 30.0X3.0 | A/BWAR-30.0X3.0-150-FC34-* | 2.45 (1.11) | 57.2 | BWAR-30.0X3.0-150-* | RFC34-150-* | R-150 |
| 1-1/2" | 38.0X4.0 | A/BWAR-38.0X4.0-150-FC34-* | 2.40 (1.09) | 57.2 | BWAR-38.0X4.0-150-* | RFC34-150-* | R-150 |
| 1-1/2" | 38.0X5.0 | A/BWAR-38.0X5.0-150-FC34-* | 2.35 (1.07) | 57.2 | BWAR-38.0X5.0-150-* | RFC34-150-* | R-150 |
| 1-1/2" | 38.0X6.0 | A/BWAR-38.0X6.0-150-FC34-* | 2.48 (1.12) | 57.2 | BWAR-38.0X6.0-150-* | RFC34-150-* | R-150 |
| 1-1/2" | 42.0X3.0 | A/BWAR-42.0X3.0-150-FC34-* | 2.30 (1.04) | 57.2 | BWAR-42.0X3.0-150-* | RFC34-150-* | R-150 |
| 1-1/2" | 42.0X4.0 | A/BWAR-42.0X4.0-150-FC34-* | 2.35 (1.07) | 57.2 | BWAR-42.0X4.0-150-* | RFC34-150-* | R-150 |
| 1-1/2" | 48.3X3.7 | A/BWAR-SCH40-150-FC34-* | 2.45 (1.11) | 57.2 | BWAR-SCH40-150-* | RFC34-150-* | R-150 |
| 1-1/2" | 48.3X5.1 | A/BWAR-SCH80-150-FC34-* | 2.38 (1.08) | 57.2 | BWAR-SCH80-150-* | RFC34-150-* | R-150 |
| 1-1/2" | 48.3X7.1 | A/BWAR-SCH160-150-FC34-* | 2.70 (1.22) | 57.2 | BWAR-SCH160-150-* | RFC34-150-* | R-150 |
| 1-1/2" | 48.3X10.2 | A/BWAR-SCHXXS-150-FC34-* | 2.64 (1.20) | 57.2 | BWAR-SCHXXS-150-* | RFC34-150-* | R-150 |
| 1-1/2" | 50.0X3.0 | A/BWAR-50.0X3.0-150-FC34-* | 2.32 (1.05) | 57.2 | BWAR-50.0X3.0-150-* | RFC34-150-* | R-150 |
| 1-1/2" | 50.0X5.0 | A/BWAR-50.0X5.0-150-FC34-* | 2.25 (1.20) | 57.2 | BWAR-50.0X5.0-150-* | RFC34-150-* | R-150 |
| 1-1/2" | 56.0X8.5 | A/BWAR-56.0X8.5-150-FC34-* | 2.68 (1.22) | 57.2 | BWAR-56.0X8.5-150-* | RFC34-150-* | R-150 |
| 2" | 50.0X3.0 | A/BWAR-50.0X3.0-200-FC34-* | 3.54 (1.61) | 63.5 | BWAR-50.0X3.0-200-* | RFC34-200-* | R-200 |
| 2" | 50.0X5.0 | A/BWAR-50.0X5.0-200-FC34-* | 3.67 (1.66) | 63.5 | BWAR-50.0X5.0-200-* | RFC34-200-* | R-200 |
| 2" | 50.0X6.0 | A/BWAR-50.0X6.0-200-FC34-* | 3.74 (1.70) | 63.5 | BWAR-50.0X6.0-200-* | RFC34-200-* | R-200 |
| 2" | 60.0X3.0 | A/BWAR-60.0X3.0-200-FC34-* | 3.43 (1.56) | 63.5 | BWAR-60.0X3.0-200-* | RFC34-200-* | R-200 |
| 2" | 60.0X5.0 | A/BWAR-60.0X5.0-200-FC34-* | 3.16 (1.43) | 63.5 | BWAR-60.0X5.0-200-* | RFC34-200-* | R-200 |
| 2" | 60.0X6.0 | A/BWAR-60.0X6.0-200-FC34-* | 3.61 (1.64) | 63.5 | BWAR-60.0X6.0-200-* | RFC34-200-* | R-200 |
| 2" | 60.0X8.0 | A/BWAR-60.0X8.0-200-FC34-* | 3.80 (1.72) | 63.5 | BWAR-60.0X8.0-200-* | RFC34-200-* | R-200 |
| 2" | 60.3X3.9 | A/BWAR-SCH40-200-FC34-* | 3.59 (1.63) | 63.5 | BWAR-SCH40-200-* | RFC34-200-* | R-200 |
| 2" | 60.3X5.5 | A/BWAR-SCH80-200-FC34-* | 3.69 (1.67) | 63.5 | BWAR-SCH80-200-* | RFC34-200-* | R-200 |
| 2" | 60.3X8.7 | A/BWAR-SCH160-200-FC34-* | 3.86 (1.75) | 63.5 | BWAR-SCH160-200-* | RFC34-200-* | R-200 |
| 2" | 60.3X11.1 | A/BWAR-SCHXXS-200-FC34-* | 3.90 (1.77) | 63.5 | BWAR-SCHXXS-200-* | RFC34-200-* | R-200 |
| 2" | 66.0X8.5 | A/BWAR-66.0X8.5-200-FC34-* | 3.75 (1.70) | 63.5 | BWAR-66.0X8.5-200-* | RFC34-200-* | R-200 |

*** Materials:**

Standard, No Designation = All Carbon Steel, Clear Zinc Plated (Cr6 Free).
 SS = Stainless Steel, Type 316.

Ordering Example: A/BWAR-50.0X3.0-200-FC34-SS

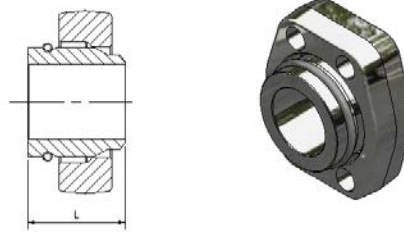
* Insert Material _____

Note:

To Order A Retain Ring Flange with Threaded Holes, Replace FC with FTM in the Part Number.

SAE 3000 PSI Butt Weld Adapter Assembly Retain Ring Style with Clearance Holes, Metric

SAE J518 Code 61 (ISO 6162-1)



Complete Flange Set Includes:

- One (1) Retain Ring Flange
- One (1) Weld Adapter Body
- One (1) Retain Ring

To be Ordered Separately:

- Bolt Kit (See Page G25)
- O-Ring Spacer (See Page G80)

A/BWAR - Butt Weld Adapter Assembly Retain Ring Style with Clearance Holes, Metric

| Size | Pipe Size OD x Wall | Complete Flange Set Part Number | WT/Set lbs (kg) | Dimension (mm) L | Weld Adapter Body Part Number | Flange Part Number | Retain Ring (Stainless Steel) Part Number |
|--------|---------------------|---------------------------------|-----------------|------------------|-------------------------------|--------------------|---|
| 2-1/2" | 60.0X5.0 | A/BWAR-60.0X5.0-250-FC34-* | 4.87 (2.21) | 66.7 | BWAR-60.0X5.0-250-* | RFC34-250-* | R-250 |
| 2-1/2" | 60.0X6.0 | A/BWAR-60.0X6.0-250-FC34-* | 4.95 (2.25) | 66.7 | BWAR-60.0X6.0-250-* | RFC34-250-* | R-250 |
| 2-1/2" | 65.0X8.0 | A/BWAR-65.0X8.0-250-FC34-* | 5.02 (2.28) | 66.7 | BWAR-65.0X8.0-250-* | RFC34-250-* | R-250 |
| 2-1/2" | 73.0X5.2 | A/BWAR-SCH40-250-FC34-* | 4.61 (2.09) | 66.7 | BWAR-SCH40-250-* | RFC34-250-* | R-250 |
| 2-1/2" | 73.0X7.0 | A/BWAR-SCH80-250-FC34-* | 4.91 (2.23) | 66.7 | BWAR-SCH80-250-* | RFC34-250-* | R-250 |
| 2-1/2" | 73.0X9.5 | A/BWAR-SCH160-250-FC34-* | 5.13 (2.33) | 66.7 | BWAR-SCH160-250-* | RFC34-250-* | R-250 |
| 2-1/2" | 73.0X14.0 | A/BWAR-SCHXXS-250-FC34-* | 5.49 (2.49) | 66.7 | BWAR-SCHXXS-250-* | RFC34-250-* | R-250 |
| 2-1/2" | 75.0X5.0 | A/BWAR-75.0X5.0-250-FC34-* | 4.41 (2.00) | 66.7 | BWAR-75.0X5.0-250-* | RFC34-250-* | R-250 |
| 2-1/2" | 75.0X7.0 | A/BWAR-75.0X7.0-250-FC34-* | 4.85 (2.20) | 66.7 | BWAR-75.0X7.0-250-* | RFC34-250-* | R-250 |
| 2-1/2" | 76.1X6.3 | A/BWAR-76.1X6.3-250-FC34-* | 4.66 (2.11) | 66.7 | BWAR-76.1X6.3-250-* | RFC34-250-* | R-250 |
| 2-1/2" | 76.1X12.5 | A/BWAR-76.1X12.5-250-FC34-* | 5.15 (2.36) | 66.7 | BWAR-76.1X12.5-250-* | RFC34-250-* | R-250 |
| 2-1/2" | 80.0X10.0 | A/BWAR-80.0X10.0-250-FC34-* | 5.02 (2.28) | 66.7 | BWAR-80.0X10.0-250-* | RFC34-250-* | R-250 |
| 3" | 75.0X5.0 | A/BWAR-75.0X5.0-300-FC34-* | 7.73 (3.50) | 69.9 | BWAR-75.0X5.0-300-* | RFC34-300-* | R-300 |
| 3" | 80.0X10.0 | A/BWAR-80.0X10.0-300-FC34-* | 8.08 (3.67) | 69.9 | BWAR-80.0X10.0-300-* | RFC34-300-* | R-300 |
| 3" | 88.9X5.5 | A/BWAR-SCH40-300-FC34-* | 7.63 (3.46) | 69.9 | BWAR-SCH40-300-* | RFC34-300-* | R-300 |
| 3" | 88.9X7.6 | A/BWAR-SCH80-300-FC34-* | 8.05 (3.65) | 69.9 | BWAR-SCH80-300-* | RFC34-300-* | R-300 |
| 3" | 88.9X11.1 | A/BWAR-SCH160-300-FC34-* | 7.89 (3.58) | 69.9 | BWAR-SCH160-300-* | RFC34-300-* | R-300 |
| 3" | 88.9X15.2 | A/BWAR-SCHXXS-300-FC34-* | 9.24 (4.19) | 69.9 | BWAR-SCHXXS-300-* | RFC34-300-* | R-300 |
| 3" | 90.0X3.5 | A/BWAR-90X3.5-300-FC34-* | 7.45 (3.38) | 69.9 | BWAR-90X3.5-300-* | RFC34-300-* | R-300 |
| 3" | 90.0X5.0 | A/BWAR-90X5.0-300-FC34-* | 7.60 (3.45) | 69.9 | BWAR-90X5.0-300-* | RFC34-300-* | R-300 |
| 3" | 97.0X12.0 | A/BWAR-97.0X12.0-300-FC34-* | 8.29 (3.76) | 69.9 | BWAR-97.0X12.0-300-* | RFC34-300-* | R-300 |

*** Materials:**

Standard, No Designation = All Carbon Steel, Clear Zinc Plated (Cr6 Free).

SS = Stainless Steel, Type 316.

Ordering Example: A/BWAR-50.0X3.0-200-FC34-SS

* Insert Material _____

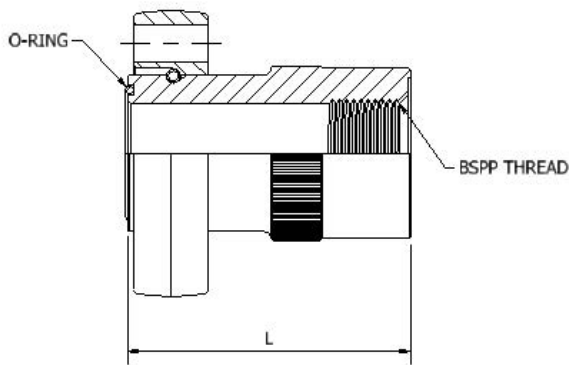
Note:

To Order A Retain Ring Flange with Threaded Holes, Replace FC with FTM in the Part Number.

3D step models available upon request

SAE 3000 PSI BSPP Female Thread Adapter Complete Assembly

SAE J518 Code 61 (ISO 6162-1)



Complete Flange Set Includes:

- One (1) Female Thread Adapter
- One (1) Retain Ring Flange
- One (1) Retain Ring
- One (1) Face O-Ring (O-Ring 1)

To be Ordered Separately:

- Bolt Kit (See Page G25)

A/FBTA - BSPP Female Thread Adapter Complete Assembly

| Size (flange x thread) | Complete Assembly Part Number | Dimensions in (mm) | | Thread Size | O-Ring (Buna Part Number | Assembly WT lbs (kg) | Body Only Part Number | Body Only WT lbs (kg) |
|------------------------------|----------------------------------|-----------------------|--------|----------------|-----------------------------|----------------------------|--------------------------|-----------------------------|
| | | L | R | | | | | |
| 1/2" x 1/4" | A/FBTA-050x025-FC34-*^-^ | 1.38 (35.0) | 1/4" | OR^3-909 | 1.05 (0.48) | FBTA-050x025-*^-^ | 0.64 (0.29) | |
| 1/2" x 1/2" | A/FBTA-050x050-FC34-*^-^ | 2.50 (63.5) | 1/2" | OR^3-909 | 1.51 (0.69) | FBTA-050x050-*^-^ | 1.10 (0.50) | |
| 3/4" x 1/2" | A/FBTA-075x050-FC34-*^-^ | 1.57 (40.0) | 1/2" | OR^3-913 | 1.43 (0.65) | FBTA-075x050-*^-^ | 0.95 (0.43) | |
| 3/4" x 3/4" | A/FBTA-075x075-FC34-*^-^ | 2.88 (73.0) | 3/4" | OR^3-913 | 2.13 (0.97) | FBTA-075x075-*^-^ | 1.65 (0.75) | |
| 1" x 3/4" | A/FBTA-100x075-FC34-*^-^ | 1.57 (40.0) | 3/4" | OR^3-916 | 1.67 (0.76) | FBTA-100x075-*^-^ | 1.06 (0.48) | |
| 1" x 1" | A/FBTA-100x100-FC34-*^-^ | 3.75 (95.3) | 1" | OR^3-916 | 2.41 (1.10) | FBTA-100x100-*^-^ | 1.80 (0.82) | |
| 1-1/4" x 1" | A/FBTA-125x100-FC34-*^-^ | 1.65 (42.0) | 1" | OR^3-918 | 2.30 (1.05) | FBTA-125x100-*^-^ | 1.47 (0.67) | |
| 1-1/4" x 1-1/4" | A/FBTA-125x125-FC34-*^-^ | 3.88 (98.6) | 1-1/4" | OR^3-918 | 3.33 (1.51) | FBTA-125x125-*^-^ | 2.50 (1.14) | |
| 1-1/2" x 1-1/4" | A/FBTA-150x125-FC34-*^-^ | 1.77 (45.0) | 1-1/4" | OR^3-924 | 3.77 (1.71) | FBTA-150x125-*^-^ | 2.31 (1.05) | |
| 1-1/2" x 1-1/2" | A/FBTA-150x150-FC34-*^-^ | 4.00 (101.6) | 1-1/2" | OR^3-924 | 5.51 (2.50) | FBTA-150x150-*^-^ | 4.05 (1.84) | |
| 2" x 1-1/2" | A/FBTA-200x150-FC34-*^-^ | 2.16 (55.0) | 1-1/2" | OR^3-928 | 5.74 (2.61) | FBTA-200x150-*^-^ | 3.67 (1.67) | |
| 2" x 2" | A/FBTA-200x200-FC34-*^-^ | 4.50 (114.3) | 2" | OR^3-928 | 8.52 (3.87) | FBTA-200x200-*^-^ | 6.45 (2.93) | |

Flange Option:

Standard, FC34 = SAE 3000 PSI Code 61 (ISO 6162-1) Clearance Flange.

FT34 = SAE 3000 PSI Code 61 (ISO 6162-1) UNC Threaded Flange.

FTM34 = SAE 3000 PSI Code 61 (ISO 6162-1) Metric Threaded Flange.

* Materials:

Standard, No Designation = All Carbon Steel, Clear Zinc Plated (Cr6 Free).

SS = Stainless Steel, Type 316.

^ O-Ring Type:

Standard, No Designation = Buna Nitrile.

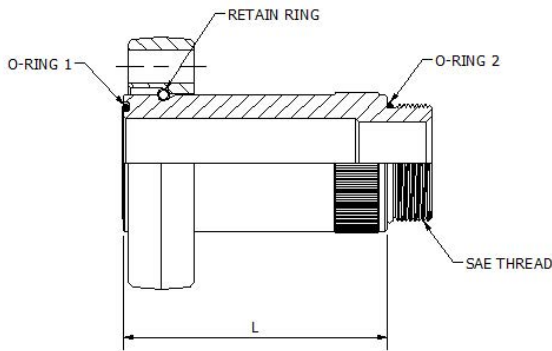
V = Viton.

Ordering Example: A/FBTA-200x150-FC34-SS-V



SAE 3000 PSI SAE Male Thread Adapter Complete Assembly

SAE J518 Code 61 (ISO 6162-1)



Complete Flange Set Includes:

- One (1) Male Thread Adapter
- One (1) Retain Ring Flange
- One (1) Retain Ring
- One (1) Face O-Ring (O-Ring 1)
- One (1) Thread O-Ring (O-Ring 2)

To be Ordered Separately:

- Bolt Kit (See Page G25)

A/STA – SAE Male Thread Adapter Complete Assembly

| Size (flange x thread) | Complete Assembly Part Number | Dimensions in (mm) | | Thread Size UNF/ UN-2A | O-Ring 1 (Buna) Part Number | O-Ring 2 (Buna) Part Number | Assembly WT lbs (kg) | Body Only Part Number | Body Only WT lbs (kg) |
|------------------------------|----------------------------------|-----------------------|--|------------------------------|-----------------------------------|-----------------------------------|----------------------------|--------------------------|-----------------------------|
| | | L | | | | | | | |
| 1/2"x 3/8" | A/STA-050x038-FC34-*^-^ | 2.63 (66.80) | | 9/16"-18 | OR^3-909 | OR^3-906 | 0.96 (0.44) | STA-050x038-* | 0.50 (0.23) |
| 1/2"x 1/2" | A/STA-050x050-FC34-*^-^ | 2.63 (66.80) | | 3/4"-16 | OR^3-909 | OR^3-908 | 0.94 (0.43) | STA-050x050-* | 0.52 (0.24) |
| 1/2"x 5/8" | A/STA-050x063-FC34-*^-^ | 2.63 (66.80) | | 7/8"-14 | OR^3-909 | OR^3-910 | 1.00 (0.45) | STA-050x063-* | 0.57 (0.26) |
| 1/2"x 3/4" | A/STA-050x075-FC34-*^-^ | 2.63 (66.80) | | 1-1/16"-12 | OR^3-909 | OR^3-912 | 1.12 (0.50) | STA-050x075-* | 0.66 (0.30) |
| 3/4"x 1/2" | A/STA-075x050-FC34-*^-^ | 2.75 (69.85) | | 3/4"-16 | OR^3-913 | OR^3-908 | 1.50 (0.68) | STA-075x050-* | 1.00 (0.45) |
| 3/4"x 3/4" | A/STA-075x075-FC34-*^-^ | 2.75 (69.85) | | 1-1/16"-12 | OR^3-913 | OR^3-912 | 1.57 (0.71) | STA-075x075-* | 1.07 (0.49) |
| 3/4"x 1" | A/STA-075x100-FC34-*^-^ | 2.75 (69.85) | | 1-5/16"-12 | OR^3-913 | OR^3-916 | 1.78 (0.81) | STA-075x100-* | 1.15 (0.52) |
| 1"x 3/4" | A/STA-100x075-FC34-*^-^ | 3.00 (76.20) | | 1-1/16"-12 | OR^3-916 | OR^3-912 | 1.88 (0.85) | STA-100x075-* | 1.25 (0.57) |
| 1"x 1" | A/STA-100x100-FC34-*^-^ | 3.00 (76.20) | | 1-5/16"-12 | OR^3-916 | OR^3-916 | 1.93 (0.88) | STA-100x100-* | 1.30 (0.59) |
| 1"x 1-1/4" | A/STA-100x125-FC34-*^-^ | 3.00 (76.20) | | 1-5/8"-12 | OR^3-916 | OR^3-920 | 2.12 (0.96) | STA-100x125-* | 1.49 (0.68) |
| 1-1/4"x 1" | A/STA-125x100-FC34-*^-^ | 3.25 (82.55) | | 1-5/16"-12 | OR^3-918 | OR^3-916 | 2.65 (1.20) | STA-125x100-* | 1.75 (0.79) |
| 1-1/4"x 1-1/4" | A/STA-125x125-FC34-*^-^ | 3.25 (82.55) | | 1-5/8"-12 | OR^3-918 | OR^3-920 | 2.72 (1.23) | STA-125x125-* | 1.82 (0.83) |
| 1-1/4"x 1-1/2" | A/STA-125x150-FC34-*^-^ | 3.25 (82.55) | | 1-7/8"-12 | OR^3-918 | OR^3-924 | 2.93 (1.33) | STA-125x150-* | 2.03 (0.92) |
| 1-1/2"x 1-1/4" | A/STA-150x125-FC34-*^-^ | 4.25 (107.95) | | 1-5/8"-12 | OR^3-924 | OR^3-920 | 3.84 (1.74) | STA-150x125-* | 2.94 (1.33) |
| 1-1/2"x 1-1/2" | A/STA-150x150-FC34-*^-^ | 4.25 (107.95) | | 1-7/8"-12 | OR^3-924 | OR^3-924 | 4.32 (1.96) | STA-150x150-* | 2.97 (1.35) |
| 1-1/2" x 2" | A/STA-150x200-FC34-*^-^ | 4.25 (107.95) | | 2-1/2"-12 | OR^3-924 | OR^3-932 | 4.89 (2.22) | STA-150x200-* | 3.54 (1.61) |
| 2"x 1-1/2" | A/STA-200x150-FC34-*^-^ | 4.38 (111.25) | | 1-7/8"-12 | OR^3-928 | OR^3-924 | 5.78 (2.62) | STA-200x150-* | 3.76 (1.71) |
| 2"x 2" | A/STA-200x200-FC34-*^-^ | 4.38 (111.25) | | 2-1/2"-12 | OR^3-928 | OR^3-932 | 5.98 (2.71) | STA-200x200-* | 3.96 (1.80) |

Flange Option:

Standard, FC34 = SAE 3000 PSI Code 61 (ISO 6162-1) Clearance Flange.

FT34 = SAE 3000 PSI Code 61 (ISO 6162-1) UNC Threaded Flange.

FTM34 = SAE 3000 PSI Code 61 (ISO 6162-1) Metric Threaded Flange.

* Materials:

Standard, No Designation = All Carbon Steel, Clear Zinc Plated (Cr6 Free).

SS = Stainless Steel, Type 316.

^ O-Ring Type:

Standard, No Designation = Buna Nitrile.

V = Viton.

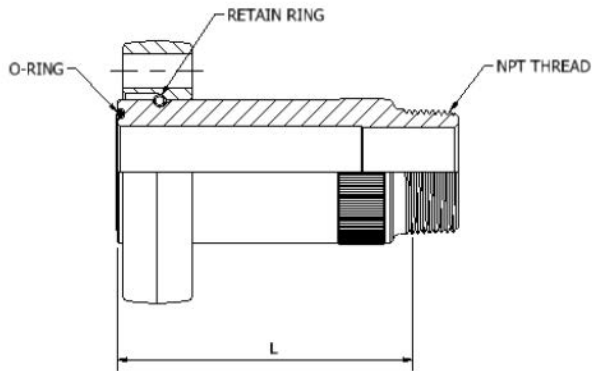
Ordering Example: A/STA-200x150-FC34-SS-V



3D step models available upon request

SAE 3000 PSI NPT Male Thread Adapter Complete Assembly

SAE J518 Code 61 (ISO 6162-1)



Complete Flange Set Includes:

- One (1) Male Thread Adapter
- One (1) Retain Ring Flange
- One (1) Retain Ring
- One (1) Face O-Ring (O-Ring 1)

To be Ordered Separately:

- Bolt Kit (See Page G25)

A/NTA – NPT Male Thread Adapter Complete Assembly

| Size (flange x thread) | Complete Assembly Part Number | Dimensions in (mm) | NPTF Thread (Dryseal) | O-Ring (Buna) Part Number | Assembly WT lbs (kg) | Body Only Part Number | Body Only WT lbs (kg) |
|------------------------------|----------------------------------|-----------------------|-----------------------------|---------------------------------|----------------------------|--------------------------|-----------------------------|
| | | L | | | | | |
| 1/2" x 1/2" | A/NTA-050x050-FC34-*^-^ | 2.88 (73.15) | 1/2"-14 | OR^-3-909 | 1.07 (0.49) | NTA-050x050-* | 0.57 (0.26) |
| 1/2" x 3/4" | A/NTA-050x075-FC34-*^-^ | 2.86 (72.64) | 3/4"-14 | OR^-3-909 | 1.24 (0.56) | NTA-050x075-* | 0.74 (0.34) |
| 3/4" x 1/2" | A/NTA-075x050-FC34-*^-^ | 3.00 (76.2) | 1/2"-14 | OR^-3-913 | 1.57 (0.71) | NTA-075x050-* | 1.07 (0.49) |
| 3/4" x 3/4" | A/NTA-075x075-FC34-*^-^ | 2.98 (75.69) | 3/4"-14 | OR^-3-913 | 1.57 (0.71) | NTA-075x075-* | 1.07 (0.49) |
| 3/4" x 1" | A/NTA-075x100-FC34-*^-^ | 3.07 (77.98) | 1"-11-1/2 | OR^-3-913 | 1.64 (0.74) | NTA-075x100-* | 1.19 (0.54) |
| 1" x 3/4" | A/NTA-100x075-FC34-*^-^ | 3.23 (82.04) | 3/4"-14 | OR^-3-916 | 1.91 (0.87) | NTA-100x075-* | 1.28 (0.58) |
| 1" x 1" | A/NTA-100x100-FC34-*^-^ | 3.32 (84.33) | 1"-11-1/2 | OR^-3-916 | 1.97 (0.89) | NTA-100x100-* | 1.34 (0.61) |
| 1" x 1-1/4" | A/NTA-100x125-FC34-*^-^ | 3.33 (84.58) | 1-1/4"-11-1/2 | OR^-3-916 | 2.25 (1.02) | NTA-100x125-* | 1.62 (0.73) |
| 1-1/4" x 1" | A/NTA-125x100-FC34-*^-^ | 3.57 (90.68) | 1"-11-1/2 | OR^-3-918 | 2.74 (1.24) | NTA-125x100-* | 1.84 (0.83) |
| 1-1/4" x 1-1/4" | A/NTA-125x125-FC34-*^-^ | 3.58 (90.93) | 1-1/4"-11-1/2 | OR^-3-918 | 2.77 (1.26) | NTA-125x125-* | 1.87 (0.85) |
| 1-1/4" x 1-1/2" | A/NTA-125x150-FC34-*^-^ | 3.61 (91.69) | 1-1/2"-11-1/2 | OR^-3-918 | 3.12 (1.42) | NTA-125x150-* | 2.18 (0.99) |
| 1-1/2" x 1-1/4" | A/NTA-150x125-FC34-*^-^ | 4.58 (116.33) | 1-1/4"-11-1/2 | OR^-3-924 | 3.90 (1.77) | NTA-150x125-* | 3.00 (1.56) |
| 1-1/2" x 1-1/2" | A/NTA-150x150-FC34-*^-^ | 4.61 (117.09) | 1-1/2"-11-1/2 | OR^-3-924 | 4.45(2.02) | NTA-150x150-* | 3.10 (1.41) |
| 1-1/2" x 2" | A/NTA-150x200-FC34-*^-^ | 4.63 (117.60) | 2"-11-1/2 | OR^-3-924 | 4.95 (2.25) | NTA-150x200-* | 3.60 (1.36) |
| 2" x 1-1/2" | A/NTA-200x150-FC34-*^-^ | 4.61 (117.09) | 1-1/2"-11-1/2 | OR^-3-928 | 5.98 (2.71) | NTA-200x150-* | 3.96 (1.80) |
| 2" x 2" | A/NTA-200x200-FC34-*^-^ | 4.63 (117.60) | 2"-11-1/2 | OR^-3-928 | 6.02 (2.73) | NTA-200x200-* | 4.00 (1.81) |

Flange Option:

Standard, FC34 = SAE 3000 PSI Code 61 (ISO 6162-1) Clearance Flange.

FT34 = SAE 3000 PSI Code 61 (ISO 6162-1) UNC Threaded Flange.

FTM34 = SAE 3000 PSI Code 61 (ISO 6162-1) Metric Threaded Flange.

* Materials:

Standard, No Designation = All Carbon Steel, Clear Zinc Plated (Cr6 Free).

SS = Stainless Steel, Type 316. Body Only

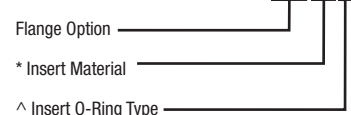
SSA = Stainless Steel, Type 316. All SS Including Flange

^ O-Ring Type:

Standard, No Designation = Buna Nitrile.

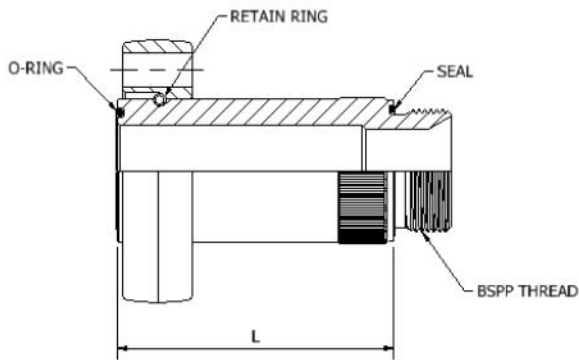
V = Viton.

Ordering Example: A/NTA-200x150-FC34-SS-V



SAE 3000 PSI BSPP Male Thread Adapter Complete Assembly

SAE J518 Code 61 (ISO 6162-1)



Complete Flange Set Includes:

- One (1) Male Thread Adapter
- One (1) Retain Ring Flange
- One (1) Retain Ring
- One (1) Face O-Ring (O-Ring 1)
- One (1) Thread Seal (Seal 2)

To be Ordered Separately:

- Bolt Kit (See Page G25)

A/BTA – BSPP Male Thread Adapter Complete Assembly

| Size (flange x thread) | Complete Assembly Part Number | Dimensions in (mm) | | Thread Size | O-Ring 1 (Buna) Part Number | Seal 2 (Buna) Part Number | Assembly WT lbs (kg) | Body Only Part Number | Body Only WT lbs (kg) |
|------------------------------|----------------------------------|-----------------------|--|----------------|-----------------------------------|---------------------------------|----------------------------|--------------------------|-----------------------------|
| | | L | | | | | | | |
| 1/2"x 1/2" | A/BTA-050x050-FC34-*^-^ | 2.63 (66.80) | | 1/2"-14 | OR^-3-909 | DR^-G050 | 1.06 (0.48) | BTA-050x050-* | 0.60 (0.27) |
| 1/2"x 3/4" | A/BTA-050x075-FC34-*^-^ | 2.63 (66.80) | | 3/4"-14 | OR^-3-909 | DR^-G075 | 1.16 (0.53) | BTA-050x075-* | 0.70 (0.32) |
| 3/4"x 1/2" | A/BTA-075x050-FC34-*^-^ | 2.75 (69.85) | | 1/2"-14 | OR^-3-913 | DR^-G050 | 1.57 (0.71) | BTA-075x050-* | 1.07 (0.49) |
| 3/4"x 3/4" | A/BTA-075x075-FC34-*^-^ | 2.75 (69.85) | | 3/4"-14 | OR^-3-913 | DR^-G075 | 1.57 (0.71) | BTA-075x075-* | 1.07 (0.49) |
| 3/4"x 1" | A/BTA-075x100-FC34-*^-^ | 2.75 (69.85) | | 1"-11 | OR^-3-913 | DR^-G100 | 1.57 (0.71) | BTA-075x100-* | 1.07 (0.49) |
| 1"x 3/4" | A/BTA-100x075-FC34-*^-^ | 3.00 (76.20) | | 3/4"-14 | OR^-3-916 | DR^-G075 | 1.82 (0.83) | BTA-100x075-* | 1.21 (0.55) |
| 1"x 1" | A/BTA-100x100-FC34-*^-^ | 3.00 (76.20) | | 1"-11 | OR^-3-916 | DR^-G100 | 1.93 (0.88) | BTA-100x100-* | 1.30 (0.59) |
| 1"x 1-1/4" | A/BTA-100x125-FC34-*^-^ | 3.00 (76.20) | | 1-1/4"-11 | OR^-3-916 | DR^-G125 | 2.16 (0.98) | BTA-100x125-* | 1.55 (0.70) |
| 1-1/4"x 1" | A/BTA-125x100-FC34-*^-^ | 3.25 (82.55) | | 1"-11 | OR^-3-918 | DR^-G100 | 2.70 (1.22) | BTA-125x100-* | 1.80 (0.82) |
| 1-1/4"x 1-1/4" | A/BTA-125x125-FC34-*^-^ | 3.25 (82.55) | | 1-1/4"-11 | OR^-3-918 | DR^-G125 | 2.81 (1.27) | BTA-125x125-* | 1.87 (0.85) |
| 1-1/4"x 1-1/2" | A/BTA-125x150-FC34-*^-^ | 3.25 (82.55) | | 1-1/2"-11 | OR^-3-918 | DR^-G150 | 2.90 (1.32) | BTA-125x150-* | 2.00 (0.91) |
| 1-1/2"x 1-1/4" | A/BTA-150x125-FC34-*^-^ | 4.25 (107.95) | | 1-1/4"-11 | OR^-3-924 | DR^-G125 | 4.45 (2.02) | BTA-150x125-* | 3.02 (1.37) |
| 1-1/2"x 1-1/2" | A/BTA-150x150-FC34-*^-^ | 4.25 (107.95) | | 1-1/2"-11 | OR^-3-924 | DR^-G150 | 4.35 (1.97) | BTA-150x150-* | 3.00 (1.36) |
| 1-1/2" x 2" | A/BTA-150x200-FC34-*^-^ | 4.25 (107.95) | | 2"-11 | OR^-3-924 | BS^-3236 | 4.95 (2.25) | BTA-150x200-* | 3.60 (1.63) |
| 2"x 1-1/2" | A/BTA-200x150-FC34-*^-^ | 4.38 (111.25) | | 1-1/2"-11 | OR^-3-928 | DR^-G150 | 5.98 (2.71) | BTA-200x150-* | 3.94 (1.79) |
| 2" x 2" | A/BTA-200x200-FC34-*^-^ | 4.38 (111.25) | | 2"-11 | OR^-3-928 | BS^-3236 | 6.02 (2.73) | BTA-200x200-* | 4.00 (1.81) |

Flange Option:

Standard, FC34 = SAE 3000 PSI Code 61 (ISO 6162-1) Clearance Flange.

FT34 = SAE 3000 PSI Code 61 (ISO 6162-1) UNC Threaded Flange.

FTM34 = SAE 3000 PSI Code 61 (ISO 6162-1) Metric Threaded Flange.

* Materials:

Standard, No Designation = All Carbon Steel, Clear Zinc Plated (Cr6 Free).

SS = Stainless Steel, Type 316. Body Only

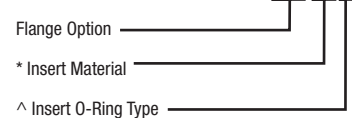
SSA = Stainless Steel, Type 316. All SS Including Flange

^ O-Ring Type:

Standard, No Designation = Buna Nitrile.

V = Viton.

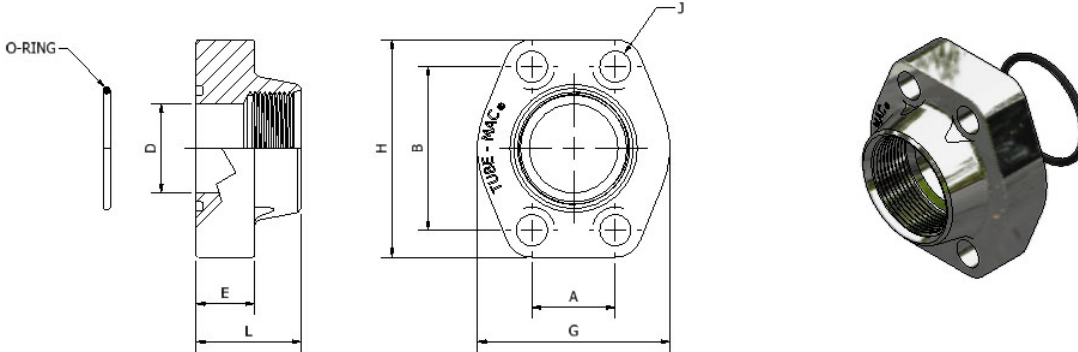
Ordering Example: A/BTA-200x150-FC34-SS-V



3D step models available upon request

SAE 3000 PSI SAE Female Thread Flange with O-Ring Face and Clearance Holes

SAE J518 Code 61 (ISO 6162-1)



STFO34 - Female Thread Flange with O-Ring Face and Clearance Holes

| Size | Flange Part Number | Dimensions (in) | | | | | | | SAE Thread UNF-2A | Drill Dia. (in) J | Bolt Minimum Grade 8 | O-Ring (Buna) Part Number | WT lbs (kg) | Working Pressure PSI (bar) | Bolt Torque ft.lbs. |
|--------|--------------------|-----------------|------|------|------|------|------|------|-------------------|-------------------|----------------------|---------------------------|-------------|----------------------------|---------------------|
| | | A | B | D | E | L | G | H | | | | | | | |
| 1/2" | STFO34-050-*^-^ | 0.69 | 1.50 | 0.51 | 0.63 | 1.42 | 1.81 | 2.16 | 3/4"-16 | 0.35 | 5/16" UNC | OR^-2-210 | 0.55 (0.25) | 5000 (350) | 15-18 |
| 3/4" | STFO34-075-*^-^ | 0.88 | 1.88 | 0.75 | 0.71 | 1.42 | 2.06 | 2.56 | 1-1/16"-12 | 0.43 | 3/8" UNC | OR^-2-214 | 0.86 (0.39) | 5000 (350) | 20-30 |
| 1" | STFO34-100-*^-^ | 1.03 | 2.06 | 0.98 | 0.71 | 1.50 | 2.31 | 2.76 | 1-5/16"-12 | 0.43 | 3/8" UNC | OR^-2-219 | 1.00 (0.45) | 5000 (350) | 20-30 |
| 1-1/4" | STFO34-125-*^-^ | 1.19 | 2.31 | 1.26 | 0.83 | 1.61 | 2.88 | 3.11 | 1-5/8"-12 | 0.45 | 7/16" UNC | OR^-2-222 | 1.46 (0.66) | 4000 (275) | 40-50 |
| 1-1/2" | STFO34-150-*^-^ | 1.41 | 2.75 | 1.50 | 0.98 | 1.77 | 3.25 | 3.66 | 1-7/8"-12 | 0.53 | 1/2" UNC | OR^-2-225 | 2.31 (1.05) | 3000 (210) | 80-90 |

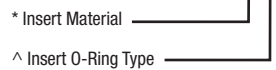
*** Materials:**

Standard, No Designation = Carbon Steel, Clear Zinc Plated (Cr6 Free).
 SS = Stainless Steel, Type 316.

^ O-Ring Type:

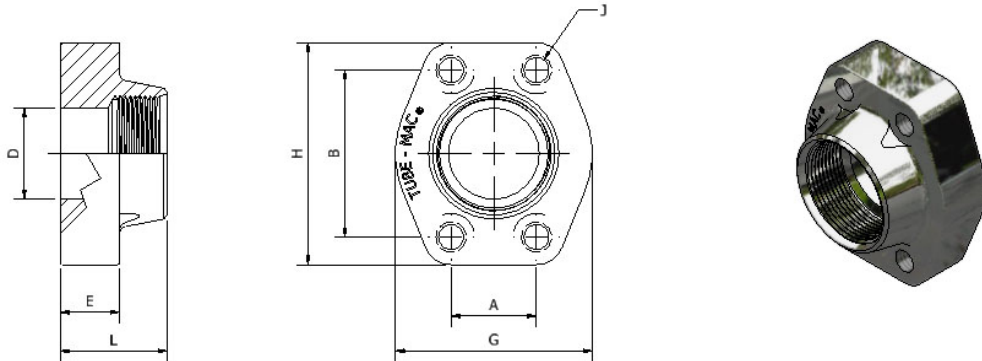
Standard, No Designation = Buna Nitrile.
 V = Viton.

Ordering Example: SFT034-150-SS-V



SAE 3000 PSI SAE Female Thread Flange with Flat Face and Threaded Holes

SAE J518 Code 61 (ISO 6162-1)



STFF34 - Female Thread Flange with Flat Face and Threaded Holes

| Size | Flange Part Number | Dimensions (in) | | | | | | | SAE Thread UNF-2A | Bolt Thread UNC-2B | WT lbs (kg) | Working Pressure PSI (bar) | Bolt Torque ft.lbs. |
|--------|--------------------|-----------------|------|------|------|------|------|------|-------------------|--------------------|-------------|----------------------------|---------------------|
| | | A | B | D | E | L | G | H | | | | | |
| 1/2" | STFF34-050-*^-^ | 0.69 | 1.50 | 0.51 | 0.63 | 1.42 | 1.81 | 2.16 | 3/4"-16 | 5/16" | 0.55 (0.25) | 5000 (350) | 15-18 |
| 3/4" | STFF34-075-*^-^ | 0.88 | 1.88 | 0.75 | 0.71 | 1.42 | 2.06 | 2.56 | 1 1/16"-12 | 3/8" | 0.86 (0.39) | 5000 (350) | 20-30 |
| 1" | STFF34-100-*^-^ | 1.03 | 2.06 | 0.98 | 0.71 | 1.50 | 2.31 | 2.76 | 1 5/16"-12 | 3/8" | 1.00 (0.45) | 5000 (350) | 20-30 |
| 1-1/4" | STFF34-125-*^-^ | 1.19 | 2.31 | 1.26 | 0.83 | 1.61 | 2.88 | 3.11 | 1 5/8"-12 | 7/16" | 1.46 (0.66) | 4000 (275) | 40-50 |
| 1-1/2" | STFF34-150-*^-^ | 1.41 | 2.75 | 1.50 | 0.98 | 1.77 | 3.25 | 3.66 | 1 7/8"-12 | 1/2" | 2.31 (1.05) | 3000 (210) | 80-90 |

* Materials:

Standard, No Designation = Carbon Steel, Clear Zinc Plated (Cr6 Free).
SS = Stainless Steel, Type 316.

^ O-Ring Type:

Standard, No Designation = Buna Nitrile.
V = Viton.

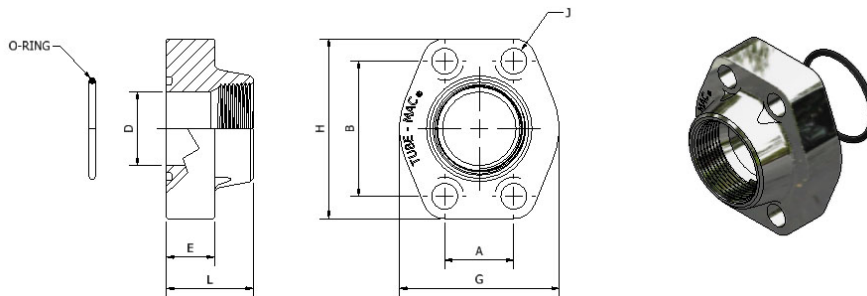
Ordering Example: STFF34-150-SS-V

* Insert Material

^ Insert O-Ring Type

SAE 3000 PSI NPT Female Thread Flange with O-Ring Face and Clearance Holes

SAE J518 Code 61 (ISO 6162-1)



NTF034 - NPT Female Thread Flange with O-Ring Face and Clearance Holes

| Size | Flange Part Number | Dimensions (in) | | | | | | | NPTF Thread | Drill Dia. (in) J | Bolt Minimum Grade 8 | O-Ring (Buna) Part Number | WT lbs (kg) | Working Pressure PSI (bar) | Bolt Torque ft.lbs. |
|--------|--------------------|-----------------|------|------|------|------|------|------|---------------|-------------------|----------------------|---------------------------|-------------|----------------------------|---------------------|
| | | A | B | D | E | L | G | H | | | | | | | |
| 1/2" | NTF034-050-*^-^ | 0.69 | 1.50 | 0.51 | 0.63 | 1.42 | 1.81 | 2.16 | 1/2"-14 | 0.35 | 5/16" UNC | OR^-2-210 | 0.55 (0.25) | 5000 (350) | 15-18 |
| 3/4" | NTF034-075-*^-^ | 0.88 | 1.88 | 0.75 | 0.71 | 1.42 | 2.06 | 2.56 | 3/4"-14 | 0.43 | 3/8" UNC | OR^-2-214 | 0.86 (0.39) | 5000 (350) | 20-30 |
| 1" | NTF034-100-*^-^ | 1.03 | 2.06 | 0.98 | 0.71 | 1.50 | 2.31 | 2.76 | 1"-11-1/2 | 0.43 | 3/8" UNC | OR^-2-219 | 1.00 (0.45) | 5000 (350) | 20-30 |
| 1-1/4" | NTF034-125-*^-^ | 1.19 | 2.31 | 1.26 | 0.83 | 1.61 | 2.88 | 3.11 | 1-1/4"-11-1/2 | 0.45 | 7/16" UNC | OR^-2-222 | 1.46 (0.66) | 4000 (275) | 40-50 |
| 1-1/2" | NTF034-150-*^-^ | 1.41 | 2.75 | 1.50 | 0.98 | 1.77 | 3.25 | 3.66 | 1-1/2"-11-1/2 | 0.53 | 1/2" UNC | OR^-2-225 | 2.31 (1.05) | 3000 (210) | 80-90 |
| 2" | NTF034-200-*^-^ | 1.69 | 3.06 | 2.01 | 0.98 | 1.77 | 3.81 | 4.02 | 2"-11-1/2 | 0.53 | 1/2" UNC | OR^-2-228 | 2.62 (1.19) | 3000 (210) | 80-90 |
| 2-1/2" | NTF034-250-*^-^ | 2.00 | 3.50 | 2.48 | 0.98 | 1.97 | 4.28 | 4.49 | 2-1/2"-8 | 0.53 | 1/2" UNC | OR^-2-232 | 3.09 (1.40) | 2500 (175) | 80-90 |
| 3" | NTF034-300-*^-^ | 2.44 | 4.19 | 2.87 | 1.06 | 1.97 | 5.16 | 5.28 | 3"-8 | 0.69 | 5/8" UNC | OR^-2-237 | 4.74 (2.15) | 2000 (140) | 110-120 |

*** Materials:**

Standard, No Designation = Carbon Steel, Clear Zinc Plated (Cr6 Free).
 SS = Stainless Steel, Type 316.

^ O-Ring Type:

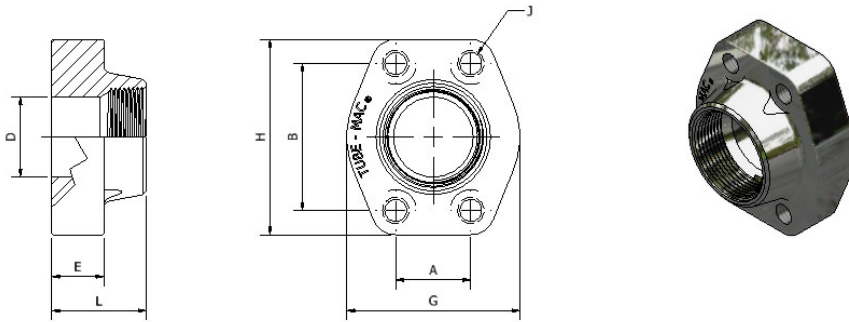
Standard, No Designation = Buna Nitrile.
 V = Viton.

Ordering Example: NTF034-200-SS-V

* Insert Material _____
 ^ Insert O-Ring Type _____

SAE 3000 PSI NPT Female Thread Flange with Flat Face and Threaded Holes

SAE J518 Code 61 (ISO 6162-1)



NTFF34 - NPT Female Thread Flange with Flat Face and Threaded Holes

| Size | Flange Part Number | Dimensions (in) | | | | | | | NPTF Thread | Bolt Thread UNC-2B | WT lbs (kg) | Working Pressure PSI (bar) | Bolt Torque ft.lbs. |
|--------|--------------------|-----------------|------|------|------|------|------|------|---------------|--------------------|-------------|----------------------------|---------------------|
| | | A | B | D | E | L | G | H | | | | | |
| 1/2" | NTFF34-050-*^-^ | 0.69 | 1.50 | 0.51 | 0.63 | 1.42 | 1.81 | 2.16 | 1/2"-14 | 5/16" | 0.55 (0.25) | 5000 (350) | 15-18 |
| 3/4" | NTFF34-075-*^-^ | 0.88 | 1.88 | 0.75 | 0.71 | 1.42 | 2.06 | 2.56 | 3/4"-14 | 3/8" | 0.86 (0.39) | 5000 (350) | 20-30 |
| 1" | NTFF34-100-*^-^ | 1.03 | 2.06 | 0.98 | 0.71 | 1.50 | 2.31 | 2.76 | 1"-11-1/2 | 3/8" | 1.00 (0.45) | 5000 (350) | 20-30 |
| 1-1/4" | NTFF34-125-*^-^ | 1.19 | 2.31 | 1.26 | 0.83 | 1.61 | 2.88 | 3.11 | 1-1/4"-11-1/2 | 7/16" | 1.46 (0.66) | 4000 (275) | 40-50 |
| 1-1/2" | NTFF34-150-*^-^ | 1.41 | 2.75 | 1.50 | 0.98 | 1.77 | 3.25 | 3.66 | 1-1/2"-11-1/2 | 1/2" | 2.31 (1.05) | 3000 (210) | 80-90 |
| 2" | NTFF34-200-*^-^ | 1.69 | 3.06 | 2.01 | 0.98 | 1.77 | 3.81 | 4.02 | 2"-11-1/2 | 1/2" | 2.62 (1.19) | 3000 (210) | 80-90 |
| 2-1/2" | NTFF34-250-*^-^ | 2.00 | 3.50 | 2.48 | 0.98 | 1.97 | 4.28 | 4.49 | 2-1/2"-8 | 1/2" | 3.09 (1.40) | 2500 (175) | 80-90 |
| 3" | NTFF34-300-*^-^ | 2.44 | 4.19 | 2.87 | 1.06 | 1.97 | 5.16 | 5.28 | 3"-8 | 5/8" | 4.74 (2.15) | 2000 (140) | 110-120 |

*** Materials:**

Standard, No Designation = Carbon Steel, Clear Zinc Plated (Cr6 Free).
 SS = Stainless Steel, Type 316.

^ O-Ring Type:

Standard, No Designation = Buna Nitrile.
 V = Viton.

Ordering Example: NTFF34-200-SS-V

* Insert Material _____

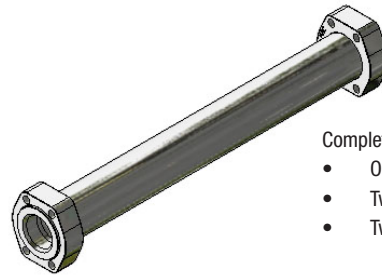
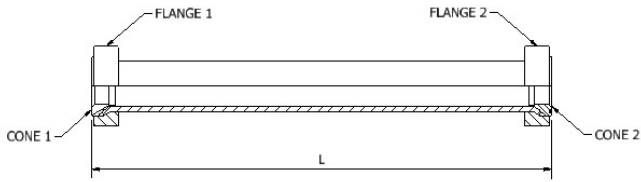
^ Insert O-Ring Type _____

3D step models available upon request

- Introduction
- Technical Data
- Pipe Selection Guide
- 16 bar, 90° Flare
- ANSI 150#, 300# Flare
- SAE 1000, 70 bar
- SAE 3000, 210 bar
- SAE 6000, 420 bar
- SAE 10000,
- ISO 6164, 400 bar
- Clamps
- Valves, Ball and Check
- Machines

Flare Flange Pipe Assembly, NPS

Typical PAF Assembly



- Complete Flange Set Includes:
- One (1) length of clean pipe
 - Two (2) flare flanges
 - Two (2) cones

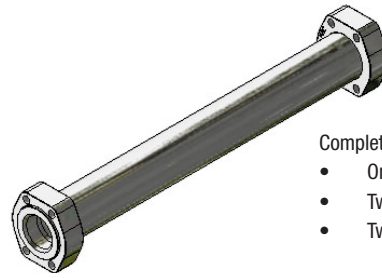
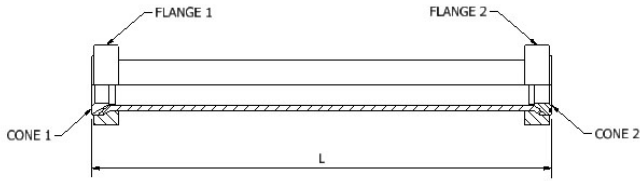
| | Code | PAF | Pipe & Cone Material | Pipe Size & Schedule | Flange 1 | Flange 2 | Cone 1 | Cone 2 | Length | Options |
|--|---|---------------|----------------------|----------------------|----------|----------|--------|--------|--------|---------|
| Bent Pipe Assembly - Flared | | PAF | | | | | | | | |
| Pipe & Cone Material Carbon Steel | TMP52CD | 52 | | | | | | | | |
| | ♦♦TMP37CD | 37 | | | | | | | | |
| Pipe & Cone Material Stainless Steel | TMP304SS | 304 | | | | | | | | |
| | TMP316SS | 316 | | | | | | | | |
| | ♦TMP2205SS | 2205 | | | | | | | | |
| Pipe Size & Schedule | 1/2" | SCH40-050 | | | | | | | | |
| | | SCH80-050 | | | | | | | | |
| | 3/4" | SCH40-075 | | | | | | | | |
| | | SCH80-075 | | | | | | | | |
| | 1" | SCH40-100 | | | | | | | | |
| | | SCH80-100 | | | | | | | | |
| | 1-1/4" | SCH40-125 | | | | | | | | |
| | | SCH80-125 | | | | | | | | |
| | 1-1/2" | SCH40-150 | | | | | | | | |
| | | SCH80-150 | | | | | | | | |
| 2" | SCH40-200 | | | | | | | | | |
| | SCH80-200 | | | | | | | | | |
| 2-1/2" | SCH40-250 | | | | | | | | | |
| | SCH80-250 | | | | | | | | | |
| 3" | SCH40-300 | | | | | | | | | |
| | SCH80-300 | | | | | | | | | |
| Flange Type Carbon Steel | FFC34 SAE Code 61 W/Clearance Holes | FC34 | | | | | | | | |
| | *FFT34 SAE Code 61 W/Tapped Holes | FT34 | | | | | | | | |
| Cone Type | Cone - Flat Face | CF | | | | | | | | |
| | Cone - 'O' Ring Face | CO | | | | | | | | |
| Length | L2 | Specify (in.) | | | | | | | | |
| Options | Viton | V | | | | | | | | |
| | Painted (Specify) | P | | | | | | | | |
| | Complete Stainless Steel Assembly: (including flanges) | SS | | | | | | | | |

♦♦TMP37CD PIPE IS ONLY AVAILABLE IN 2-1/2" & 3" SCHEDULE 40 SIZES
 ♦TMP2205SS PIPE IS ONLY AVAILABLE UPON REQUEST
 * NORMALLY USED FOR CONNECTION TO SPLIT FLANGE TYPE ENDS
 PART Number (EXAMPLE): PAF/52 - SCH80-100 - FC34 - FC34 - CO - CF - 240

ASSEMBLY WORKING PRESSURE RATINGS ARE SUBJECT TO THE LESSER OF THE FLANGE OR PIPE RATINGS

Flare Flange Pipe Assembly, Metric

Typical PAF Assembly



Complete Flange Set Includes:

- One (1) length of clean pipe
- Two (2) flare flanges
- Two (2) cones

| Code | | PAF | Pipe & Cone Material | Pipe Size & Schedule | Flange 1 | Flange 2 | Cone 1 | Cone 2 | Length | Options |
|--|---|--------------|----------------------|----------------------|----------|----------|--------|--------|--------|---------|
| Bent Pipe Assembly - Flared | | PAF | | | | | | | | |
| Pipe & Cone Material Carbon Steel | TMP52CD | 52 | | | | | | | | |
| | TMP37CD | 37 | | | | | | | | |
| Pipe & Cone Material Stainless Steel | TMP304SS | 304 | | | | | | | | |
| | TMP316SS | 316 | | | | | | | | |
| | ♦TMP2205SS | 2205 | | | | | | | | |
| Pipe Size & Schedule | 1/2" | 20x3.0-050 | | | | | | | | |
| | | 25x3.0-050 | | | | | | | | |
| | 3/4" | 25x3.0-075 | | | | | | | | |
| | | 30x3.0-075 | | | | | | | | |
| | 1" | 30x4.0-100 | | | | | | | | |
| | | 38x4.0-100 | | | | | | | | |
| | 1-1/4" | 38x4.0-125 | | | | | | | | |
| | | 42x4.0-125 | | | | | | | | |
| | 1-1/2" | 50x3.0-150 | | | | | | | | |
| 50x5.0-150 | | | | | | | | | | |
| 2" | 60x3.0-200 | | | | | | | | | |
| | 60x5.0-200 | | | | | | | | | |
| 2-1/2" | 73x7.0-250 | | | | | | | | | |
| | 75x5.0-250 | | | | | | | | | |
| 3" | 75x5.0-300 | | | | | | | | | |
| | 90x5.0-300 | | | | | | | | | |
| Flange Type Carbon Steel | FFCM34 SAE Code 61 W/Clearance Holes | FCM34 | | | | | | | | |
| | *FTM34 SAE Code 61 W/Tapped Holes | FTM34 | | | | | | | | |
| Cone Type | Cone - Flat Face | CF | | | | | | | | |
| | Cone - 'O' Ring Face | CO | | | | | | | | |
| Length | L2 | Specify (mm) | | | | | | | | |
| Options | Viton | V | | | | | | | | |
| | Painted (Specify) | P | | | | | | | | |
| | Complete Stainless Steel Assembly: (including flanges) | SS | | | | | | | | |

♦TMP2205SS PIPE IS ONLY AVAILABLE UPON REQUEST

* NORMALLY USED FOR CONNECTION TO SPLIT FLANGE TYPE ENDS

PART Number (EXAMPLE): PAF/52 - 30x4.0 - 100 - FCM34 - FCM34 - CO - CF - 6000

ASSEMBLY WORKING PRESSURE RATINGS ARE SUBJECT TO THE LESSER OF THE FLANGE OR PIPE RATINGS

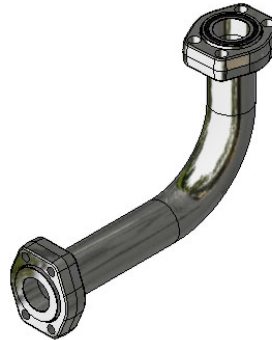
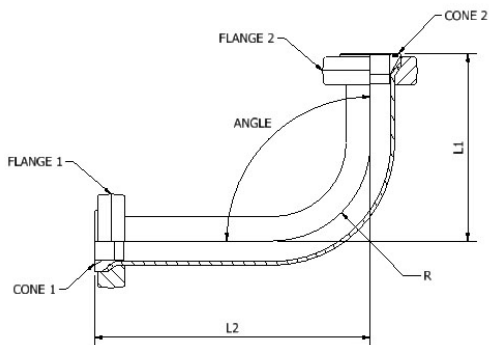
3D step models available upon request

Flare Flange Bent Pipe Assembly, NPS

Typical BPAF Assembly

Complete assembly consists of:

- One (1) length of bent clean pipe
- Two (2) flare flanges
- Two (2) cones



| Size | R1 | | R2 | | R3 | |
|--------|-----------------|------|-----------------|-------|-----------------|-------|
| | Dimensions (in) | | Dimensions (in) | | Dimensions (in) | |
| | L(min.) | R | L(min.) | R | L(min.) | R |
| 1/2" | 4.50 | 1.68 | 5.50 | 2.52 | 6.75 | 3.88 |
| 3/4" | 5.00 | 2.10 | 6.00 | 3.15 | 7.00 | 4.25 |
| 1" | 5.50 | 2.63 | 7.00 | 3.95 | 7.75 | 4.88 |
| 1-1/4" | 6.38 | 3.32 | 8.00 | 4.98 | 8.63 | 5.63 |
| 1-1/2" | 7.50 | 3.80 | 9.25 | 5.70 | 11.75 | 8.19 |
| 2" | 8.50 | 4.75 | 10.75 | 7.13 | 13.00 | 9.44 |
| 2-1/2" | 9.75 | 5.75 | 12.63 | 8.63 | 17.00 | 12.50 |
| 3" | 11.00 | 7.00 | 14.50 | 10.50 | 19.50 | 15.00 |

Note: OTHER RADII AVAILABLE (CONSULT FACTORY)

Flare Flange Bent Pipe Assembly, NPS

| | | Code | BPAF | Pipe & Cone Material | Pipe Size & Schedule | Flange 1 | Flange 2 | Cone 1 | Cone 2 | Rad. | Lgth L1 | Ang | Lgth L2 | Options | |
|--|---|---------------|------|----------------------|----------------------|----------|----------|--------|--------|------|---------|-----|---------|---------|--|
| Bent Pipe Assembly - Flared | | BPAF | | | | | | | | | | | | | |
| Pipe & Cone Material Carbon Steel | TMP52CD | 52 | | | | | | | | | | | | | |
| | ♦♦TMP37CD | 37 | | | | | | | | | | | | | |
| Pipe & Cone Material Stainless Steel | TMP304SS | 304 | | | | | | | | | | | | | |
| | TMP316SS | 316 | | | | | | | | | | | | | |
| | ♦TMP2205SS | 2205 | | | | | | | | | | | | | |
| Pipe Size & Schedule | 1/2" | SCH40-050 | | | | | | | | | | | | | |
| | | SCH80-050 | | | | | | | | | | | | | |
| | 3/4" | SCH40-075 | | | | | | | | | | | | | |
| | | SCH80-075 | | | | | | | | | | | | | |
| | 1" | SCH40-100 | | | | | | | | | | | | | |
| | | SCH80-100 | | | | | | | | | | | | | |
| | 1-1/4" | SCH40-125 | | | | | | | | | | | | | |
| | | SCH80-125 | | | | | | | | | | | | | |
| | 1-1/2" | SCH40-150 | | | | | | | | | | | | | |
| SCH80-150 | | | | | | | | | | | | | | | |
| 2" | SCH40-200 | | | | | | | | | | | | | | |
| | SCH80-200 | | | | | | | | | | | | | | |
| 2-1/2" | SCH40-250 | | | | | | | | | | | | | | |
| | SCH80-250 | | | | | | | | | | | | | | |
| 3" | SCH40-300 | | | | | | | | | | | | | | |
| | SCH80-300 | | | | | | | | | | | | | | |
| Flange Type Carbon Steel | FFC34 SAE Code 61 W/Clearance Holes | FC34 | | | | | | | | | | | | | |
| | FFT34 SAE Code 61 W/Threaded Holes | FT34 | | | | | | | | | | | | | |
| Cone Type | Cone - Flat Face | CF | | | | | | | | | | | | | |
| | Cone - 'O' Ring Face | CO | | | | | | | | | | | | | |
| Radius | Field Manufactured | R1 | | | | | | | | | | | | | |
| | Factory Manufactured | R2 | | | | | | | | | | | | | |
| Length | L1 | Specify (in.) | | | | | | | | | | | | | |
| Angle | Max 90° | Specify (°) | | | | | | | | | | | | | |
| Length | L2 | Specify (in.) | | | | | | | | | | | | | |
| Options | Viton | V | | | | | | | | | | | | | |
| | Painted (Specify) | P | | | | | | | | | | | | | |
| | Complete Stainless Steel Assembly: (including flanges) | SS | | | | | | | | | | | | | |

♦♦TMP37CD PIPE IS ONLY AVAILABLE IN 2-1/2" & 3" SCHEDULE 40 SIZES
 ♦TMP2205SS PIPE IS ONLY AVAILABLE UPON REQUEST

PART Number (EXAMPLE): BPAF/52-SCH80-100-FC34-FC34-CO-CF-R1-125-90-115

ASSEMBLY WORKING PRESSURE RATINGS ARE SUBJECT TO THE LESSER OF THE FLANGE OR PIPE RATINGS

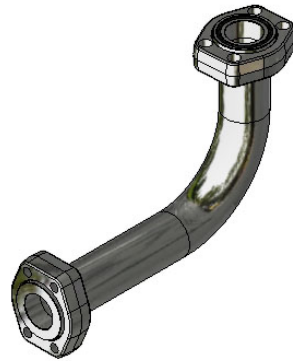
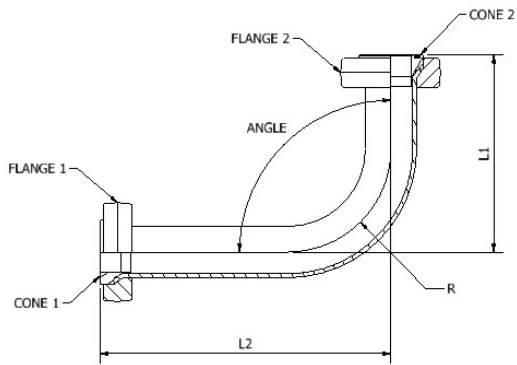
Consult factory for ordering assistance

3D step models available upon request

- Introduction
- Technical Data
- Pipe Selection Guide
- 16 bar, 90° Flare
- ANSI 150#, 300# Flare
- SAE 1000, 70 bar
- SAE 3000, 210 bar
- SAE 6000, 420 bar
- SAE 10000, 400 bar
- ISO 6164, 400 bar
- Clamps
- Valves, Ball and Check
- Machines

Flare Flange Bent Pipe Assembly, Metric

Typical BPAF Assembly



Complete Flange Set Includes:

- One (1) length of clean pipe
- Two (2) flare flanges
- Two (2) cones

| Size | R1 | | R2 | | R3 | |
|--------|-----------------|-----|-----------------|-----|-----------------|-----|
| | Dimensions (mm) | | Dimensions (mm) | | Dimensions (mm) | |
| | L(min.) | R | L(min.) | R | L(min.) | R |
| 1/2" | 126 | 50 | 151 | 75 | 176 | 100 |
| 3/4" | 134 | 60 | 164 | 90 | 194 | 120 |
| 1" | 153 | 76 | 191 | 114 | 229 | 152 |
| 1-1/4" | 162 | 84 | 204 | 126 | 246 | 168 |
| 1-1/2" | 194 | 100 | 244 | 150 | 294 | 200 |
| 2" | 215 | 120 | 275 | 180 | 335 | 240 |
| 2-1/2" | 264 | 150 | 339 | 225 | 414 | 300 |
| 3" | 294 | 180 | 384 | 270 | 474 | 360 |

Note: OTHER RADII AVAILABLE (CONSULT FACTORY)

Flare Flange Bent Pipe Assembly, Metric

| Code | | BPAF | Pipe & Cone Material | Pipe Size & Schedule | Flange 1 | Flange 2 | Cone 1 | Cone 2 | Rad. | Lgth L1 | Angle | Lgth L2 | Options | |
|--|---|--------------|----------------------|----------------------|----------|----------|--------|--------|------|---------|-------|---------|---------|--|
| Bent Pipe Assembly - Flared | | BPAF | | | | | | | | | | | | |
| Pipe & Cone Material Carbon Steel | TMP52CD | 52 | | | | | | | | | | | | |
| | TMP37CD | 37 | | | | | | | | | | | | |
| Pipe & Cone Material Stainless Steel | TMP304SS | 304 | | | | | | | | | | | | |
| | TMP316SS | 316 | | | | | | | | | | | | |
| | ♦TMP2205SS | 2205 | | | | | | | | | | | | |
| Pipe Size & Schedule | 1/2" | 20x3.0-050 | | | | | | | | | | | | |
| | | 25x3.0-050 | | | | | | | | | | | | |
| | 3/4" | 25x3.0-075 | | | | | | | | | | | | |
| | | 30x3.0-075 | | | | | | | | | | | | |
| | 1" | 30x4.0-100 | | | | | | | | | | | | |
| | | 38x4.0-100 | | | | | | | | | | | | |
| | 1-1/4" | 38x4.0-125 | | | | | | | | | | | | |
| | | 42x4.0-125 | | | | | | | | | | | | |
| | 1-1/2" | 50x3.0-150 | | | | | | | | | | | | |
| | | 50x5.0-150 | | | | | | | | | | | | |
| 2" | 60x3.0-200 | | | | | | | | | | | | | |
| | 60x5.0-200 | | | | | | | | | | | | | |
| 2-1/2" | 73x7.0-250 | | | | | | | | | | | | | |
| | 75x5.0-250 | | | | | | | | | | | | | |
| 3" | 75x5.0-300 | | | | | | | | | | | | | |
| | 90x5.0-300 | | | | | | | | | | | | | |
| Flange Type Carbon Steel | FFCM34 SAE Code 61 W/Clearance Holes | FCM34 | | | | | | | | | | | | |
| | *FTM34 SAE Code 61 W/Tapped Holes | FTM34 | | | | | | | | | | | | |
| Cone Type | Cone - Flat Face | CF | | | | | | | | | | | | |
| | Cone - 'O' Ring Face | CO | | | | | | | | | | | | |
| Radius | Field Manufactured | R1 | | | | | | | | | | | | |
| | Factory Manufactured | R2 | | | | | | | | | | | | |
| Length | L1 | Specify (mm) | | | | | | | | | | | | |
| Angle | Max 90° | Specify (°) | | | | | | | | | | | | |
| Length | L2 | Specify (mm) | | | | | | | | | | | | |
| Options | Viton | V | | | | | | | | | | | | |
| | Painted (Specify) | P | | | | | | | | | | | | |
| | Complete Stainless Steel Assembly: (including flanges) | SS | | | | | | | | | | | | |

♦TMP2205SS PIPE IS ONLY AVAILABLE UPON REQUEST

* NORMALLY USED FOR CONNECTION TO SPLIT FLANGE TYPE ENDS

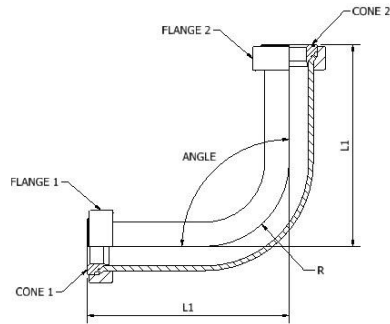
PART Number (EXAMPLE): BPAF/52 - 30x4.0-100 - FCM34 - FCM34 - CO - CF - R1 - 125 - 90 - 115

ASSEMBLY WORKING PRESSURE RATINGS ARE SUBJECT TO THE LESSER OF THE FLANGE OR PIPE RATINGS

3D step models available upon request

SAE 3000 PSI Flare Flange Bend Elbow Complete Assembly, NPS

SAE J518 Code 61 (ISO 6162-1)



| A/FFE - Flare Flange Bend Elbow Complete Assembly, NPS | | | | | | | | |
|--|--|---------------------|-------|---------------------|--------|---------------------|-------|----------------------------|
| Size | Complete Assembly Part Number | R1 Bend Radius (in) | | R2 Bend Radius (in) | | R3 Bend Radius (in) | | Working Pressure PSI (bar) |
| | | R | L1 | R | L1 | R | L1 | |
| 1/2" | A/FFE-SCH40-050-FC34-FC34-CO-CO-●-*-^ | 1.68 | 4.5 | 2.52 | 5.5 | 3.875 | 6.75 | 5000 (350) |
| 1/2" | A/FFE-SCH80-050-FC34-FC34-CO-CO-●-*-^ | 1.68 | 4.5 | 2.52 | 5.5 | 3.875 | 6.75 | 5000 (350) |
| 3/4" | A/FFE-SCH40-075-FC34-FC34-CO-CO-●-*-^ | 2.1 | 5.0 | 3.15 | 6.0 | 4.25 | 7.0 | 5000 (350) |
| 3/4" | A/FFE-SCH80-075-FC34-FC34-CO-CO-●-*-^ | 2.1 | 5.0 | 3.15 | 6.0 | 4.25 | 7.0 | 5000 (350) |
| 1" | A/FFE-SCH40-100-FC34-FC34-CO-CO-●-*-^ | 2.63 | 5.5 | 3.95 | 7.0 | 4.875 | 7.75 | 4700 (325) |
| 1" | A/FFE-SCH80-100-FC34-FC34-CO-CO-●-*-^ | 2.63 | 5.5 | 3.95 | 7.0 | 4.875 | 7.75 | 5000 (350) |
| 1-1/4" | A/FFE-SCH40-125-FC34-FC34-CO-CO-●-*-^ | 3.32 | 6.375 | 4.98 | 8.0 | 5.625 | 8.625 | 4000 (280) |
| 1-1/4" | A/FFE-SCH80-125-FC34-FC34-CO-CO-●-*-^ | 3.32 | 6.375 | 4.98 | 8.0 | 5.625 | 8.625 | 4000 (280) |
| 1-1/2" | A/FFE-SCH40-150-FC34-FC34-CO-CO-●-*-^ | 3.8 | 7.5 | 5.7 | 9.25 | 8.1875 | 11.75 | 3500 (240) |
| 1-1/2" | A/FFE-SCH80-150-FC34-FC34-CO-CO-●-*-^ | 3.8 | 7.5 | 5.7 | 9.25 | 8.1875 | 11.75 | 4000 (280) |
| 1-1/2" | A/FFE-SCH160-150-FC34-FC34-CO-CO-●-*-^ | 3.8 | 7.5 | 5.7 | 9.25 | 8.1875 | 11.75 | 4000 (280) |
| 2" | A/FFE-SCH40-200-FC34-FC34-CO-CO-●-*-^ | 4.75 | 8.5 | 7.125 | 10.75 | 9 7/16 | 13 | 2900 (200) |
| 2" | A/FFE-SCH80-200-FC34-FC34-CO-CO-●-*-^ | 4.75 | 8.5 | 7.125 | 10.75 | 9 7/16 | 13 | 4000 (280) |
| 2" | A/FFE-SCH160-200-FC34-FC34-CO-CO-●-*-^ | 4.75 | 8.5 | 7.125 | 10.75 | 9 7/16 | 13 | 4000 (280) |
| 2-1/2" | A/FFE-SCH40-250-FC34-FC34-CO-CO-●-*-^ | 5.75 | 9.75 | 8.625 | 12.625 | 12.5 | 17 | 2600 (180) |
| 2-1/2" | A/FFE-SCH80-250-FC34-FC34-CO-CO-●-*-^ | 5.75 | 9.75 | 8.625 | 12.625 | 12.5 | 17 | 3000 (210) |
| 2-1/2" | A/FFE-SCH160-250-FC34-FC34-CO-CO-●-*-^ | 5.75 | 9.75 | 8.625 | 12.625 | 12.5 | 17 | 3000 (210) |
| 3" | A/FFE-SCH40-300-FC34-FC34-CO-CO-●-*-^ | 7.0 | 11.0 | 10.5 | 14.5 | 15 | 19.5 | 2300 (160) |
| 3" | A/FFE-SCH80-300-FC34-FC34-CO-CO-●-*-^ | 7.0 | 11.0 | 10.5 | 14.5 | 15 | 19.5 | 3000 (210) |

Flange Options:

Standard, FC34 = SAE 3000 PSI Code 61 (ISO 6162-1) Clearance Flange
 FT34 = SAE 3000 PSI Code 61 (ISO 6162-1) UNC Threaded Flange

Cone Options:

Standard, CO = O-Ring Faced Cone
 CF = Flat Faced Cone

Bend Radius Options:

- R1
- R2
- R3

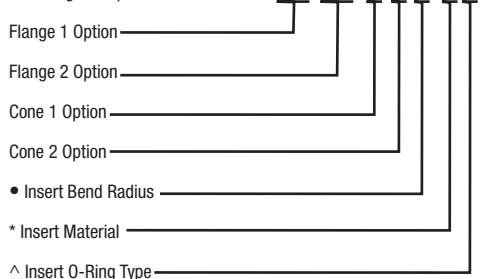
*** Materials**

Standard, No Designation = All Carbon Steel, Clear Zinc Plated (Cr6 Free).
 SS = All Stainless Steel, Type 316.

^ O-Ring Type:

Standard, No Designation = Buna Nitrile.
 V = Viton.

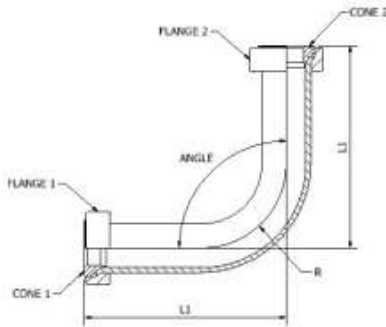
Ordering Example: A/FFE-SCH40-200-FC34-FC34-CO-CO-R1-SS-V



3D step models available upon request

SAE 3000 PSI Flare Flange Bend Elbow Complete Assembly, Metric

SAE J518 Code 61 (ISO 6162-1)



- COMPLETE ASSEMBLY CONSISTS OF:
- FLARE FLANGE 90° ELBOW BODY
 - TWO (2) FLARE FLANGES
 - TWO (2) CONES

A/FFEM - Flare Flange Bend Elbow Complete Assembly, Metric

| Size | Complete Assembly Part Number | R1 Bend Radius (mm) | | R2 Bend Radius (mm) | | R3 Bend Radius (mm) | | Working Pressure PSI (bar) |
|--------|--|---------------------|-----|---------------------|-----|---------------------|-----|----------------------------|
| | | R | L1 | R | L1 | R | L1 | |
| 1/2" | A/FFEM-20x3.0-050-FCM34-FCM34-CO-CO-□-*^ | 40 | 116 | 60 | 136 | 80 | 156 | 5000 (350) |
| 1/2" | A/FFEM-25x3.0-050-FCM34-FCM34-CO-CO-□-*^ | 50 | 126 | 75 | 151 | 100 | 176 | 5000 (350) |
| 3/4" | A/FFEM-25x3.0-075-FCM34-FCM34-CO-CO-□-*^ | 50 | 124 | 75 | 149 | 100 | 174 | 5000 (350) |
| 3/4" | A/FFEM-30x3.0-075-FCM34-FCM34-CO-CO-□-*^ | 60 | 134 | 90 | 164 | 120 | 194 | 5000 (350) |
| 1" | A/FFEM-30x4.0-100-FCM34-FCM34-CO-CO-□-*^ | 60 | 137 | 90 | 167 | 120 | 197 | 4700 (325) |
| 1" | A/FFEM-38x4.0-100-FCM34-FCM34-CO-CO-□-*^ | 76 | 153 | 114 | 191 | 152 | 229 | 5000 (350) |
| 1-1/4" | A/FFEM-38x4.0-125-FCM34-FCM34-CO-CO-□-*^ | 76 | 154 | 114 | 192 | 152 | 230 | 4000 (280) |
| 1-1/4" | A/FFEM-42x4.0-125-FCM34-FCM34-CO-CO-□-*^ | 84 | 162 | 126 | 204 | 168 | 246 | 4000 (280) |
| 1-1/2" | A/FFEM-42x4.0-150-FCM34-FCM34-CO-CO-□-*^ | 84 | 178 | 126 | 220 | 168 | 262 | 3500 (240) |
| 1-1/2" | A/FFEM-50x3.0-150-FCM34-FCM34-CO-CO-□-*^ | 100 | 194 | 150 | 244 | 200 | 294 | 4000 (280) |
| 1-1/2" | A/FFEM-50x5.0-150-FCM34-FCM34-CO-CO-□-*^ | 100 | 194 | 150 | 244 | 200 | 294 | 4000 (280) |
| 2" | A/FFEM-50x5.0-200-FCM34-FCM34-CO-CO-□-*^ | 100 | 195 | 150 | 245 | 200 | 295 | 4000 (280) |
| 2" | A/FFEM-60x5.0-200-FCM34-FCM34-CO-CO-□-*^ | 120 | 215 | 180 | 275 | 240 | 335 | 4000 (280) |
| 2" | A/FFEM-60x6.0-200-FCM34-FCM34-CO-CO-□-*^ | 120 | 215 | 180 | 275 | 240 | 335 | 4000 (280) |
| 2-1/2" | A/FFEM-73x7.0-250-FCM34-FCM34-CO-CO-□-*^ | 146 | 260 | 219 | 333 | 292 | 406 | 3000 (210) |
| 2-1/2" | A/FFEM-75x5.0-250-FCM34-FCM34-CO-CO-□-*^ | 150 | 264 | 225 | 339 | 300 | 414 | 3000 (210) |
| 3" | A/FFEM-75x5.0-300-FCM34-FCM34-CO-CO-□-*^ | 150 | 264 | 225 | 339 | 300 | 414 | 3000 (210) |
| 3" | A/FFEM-90x5.0-300-FCM34-FCM34-CO-CO-□-*^ | 180 | 294 | 270 | 384 | 360 | 474 | 2800 (193) |

Flange Options:

Standard, FCM34 = SAE 3000 PSI Code 61 (ISO 6162-1) Clearance Flange
FTM34 = SAE 3000 PSI Code 61 (ISO 6162-1) Metric Threaded Flange

Cone Options:

CO = O-Ring Faced Cone
CF = Flat Faced Cone

Bend Radius Options:

R1
R2
R3

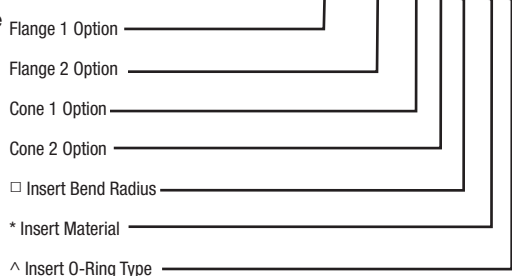
* Materials

Standard, No Designation = All Carbon Steel, Clear Zinc Plated (Cr6 Free)
SS = All Stainless Steel, Type 316

^ O-Ring Type:

No Designation = Buna Nitrile.
V = Viton

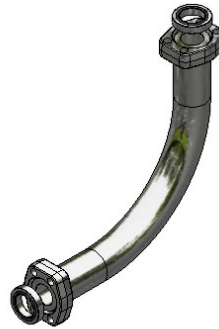
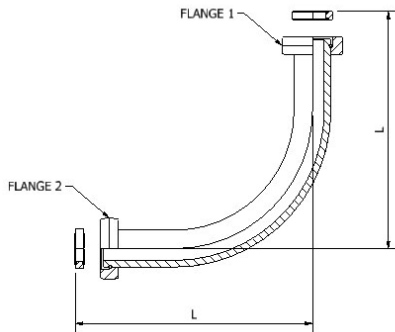
Ordering Example: A/FFEM-60x5.0-200-FCM34-FCM34-CO-CO-R1-SS-V



3D step models available upon request

SAE 3000 PSI Retain Ring Flange Bend Elbow

SAE J518 Code 61 (ISO 6162-1)



Complete Flange Set Includes:

- One (1) Retain Ring Flange Bend Elbow Body
- Two (2) Retain Ring Flanges
- Two (2) Retain Rings
- Two (2) O-Ring Spacers

| A/RFE - Retain Ring Flange Bend Elbow | | | | | | |
|---------------------------------------|-------------------------------|--------------------|----------------------|-----------------------|-----------------------|----------------------------|
| Size | Complete Assembly Part Number | Dimensions in (mm) | Assembly WT lbs (kg) | Body Only Part Number | Body Only WT lbs (kg) | Working Pressure PSI (bar) |
| | | L | | | | |
| 1-1/2" | A/RFE-150-FC34-*^-^ | 13.00 (330.20) | 14.98 (6.80) | RFE-150-*^-^ | 11.50 (5.22) | 4000 (280) |
| 2" | A/RFE-200-FC34-*^-^ | 14.50 (368.30) | 20.47 (9.30) | RFE-200-*^-^ | 15.59 (7.07) | 4000 (280) |
| 2-1/2" | A/RFE-250-FC34-*^-^ | 18.00 (457.20) | 35.57 (16.17) | RFE-250-*^-^ | 26.26 (11.91) | 3000 (210) |
| 3" | A/RFE-300-FC34-*^-^ | 21.00 (533.40) | 59.48 (27.04) | RFE-300-*^-^ | 45.80 (20.77) | 3000 (210) |

Flange Options:

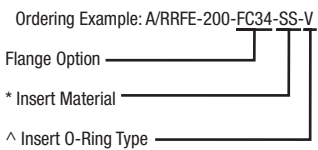
FC34 = SAE 3000 PSI Code 61 (ISO 6162-1) Clearance
 FT34 = SAE 3000 PSI Code 61 (ISO 6162-1) UNC Threaded
 FTM34 = SAE 3000 PSI Code 61 (ISO 6162-1) Metric Threaded

***Materials:**

No Designation = All Carbon Steel, Clear Zinc Plated (Cr6 Free).
 SS = Stainless Steel, Type 316.

^ O-Ring Type:

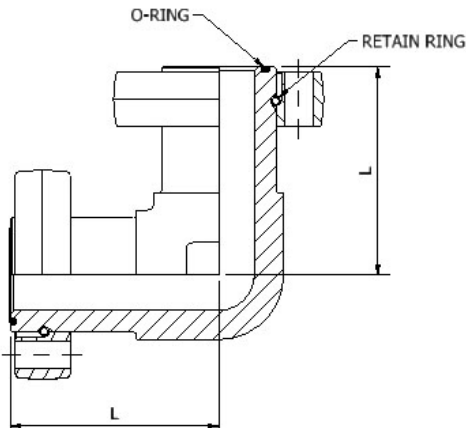
No Designation = Buna Nitrile.
 V = Viton.



SAE 3000 PSI Retain Ring Flange Elbow

Complete Assembly

SAE J518 Code 61 (ISO 6162-1)



Complete Flange Set Includes:

- One (1) Flange Elbow
- Two (2) Retain Ring Flanges
- Two (2) Retain Rings
- Two (2) Face O-Rings

To be Ordered Separately:

- Bolt Kit
- See Section

A/RRFE - Retain Ring Flange Elbow Complete Assembly

| Size | Complete Assembly Part Number | Dimensions in (mm) | | O-Ring (Buna) Part Number | Assembly WT lbs (kg) | Body Only Part Number | Body Only WT lbs (kg) | Working Pressure PSI (bar) |
|--------|-------------------------------|--------------------|--|---------------------------|----------------------|-----------------------|-----------------------|----------------------------|
| | | L | | | | | | |
| 1/2" | A/RRFE-050-FC34-*^-^ | 2.41 (61.2) | | OR^-3-909 | 1.95 (0.88) | RRFE-050-*^-^ | 1.09 (0.49) | 5000 (350) |
| 3/4" | A/RRFE-075-FC34-*^-^ | 2.61 (66.2) | | OR^-3-913 | 2.83 (1.28) | RRFE-075-*^-^ | 1.93 (0.88) | 5000 (350) |
| 1" | A/RRFE-100-FC34-*^-^ | 2.81 (71.4) | | OR^-3-916 | 3.36 (1.52) | RRFE-100-*^-^ | 2.10 (0.95) | 5000 (350) |
| 1-1/4" | A/RRFE-125-FC34-*^-^ | 3.22 (81.8) | | OR^-3-918 | 4.22 (1.91) | RRFE-125-*^-^ | 3.28 (1.45) | 4000 (280) |
| 1-1/2" | A/RRFE-150-FC34-*^-^ | 4.01 (101.9) | | OR^-3-924 | 8.70 (3.95) | RRFE-150-*^-^ | 6.00 (2.72) | 4000 (280) |
| 2" | A/RRFE-200-FC34-*^-^ | 4.40 (111.8) | | OR^-3-928 | 11.74 (5.33) | RRFE-200-*^-^ | 7.70 (3.49) | 4000 (280) |
| 2-1/2" | A/RRFE-250-FC34-*^-^ | 5.19 (131.9) | | OR^-2-232 | 16.30 (7.39) | RRFE-250-*^-^ | 11.30 (5.13) | 3000 (210) |

Flange Options:

FC34 = SAE 3000 PSI Code 61 (ISO 6162-1) Clearance
 FT34 = SAE 3000 PSI Code 61 (ISO 6162-1) UNC Threaded
 FTM34 = SAE 3000 PSI Code 61 (ISO 6162-1) Metric Threaded

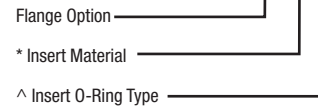
Materials

No Designation = All Carbon Steel, Clear Zinc Plated (Cr6 Free).
 SS = Stainless Steel, Type 316.

^ O-Ring Type:

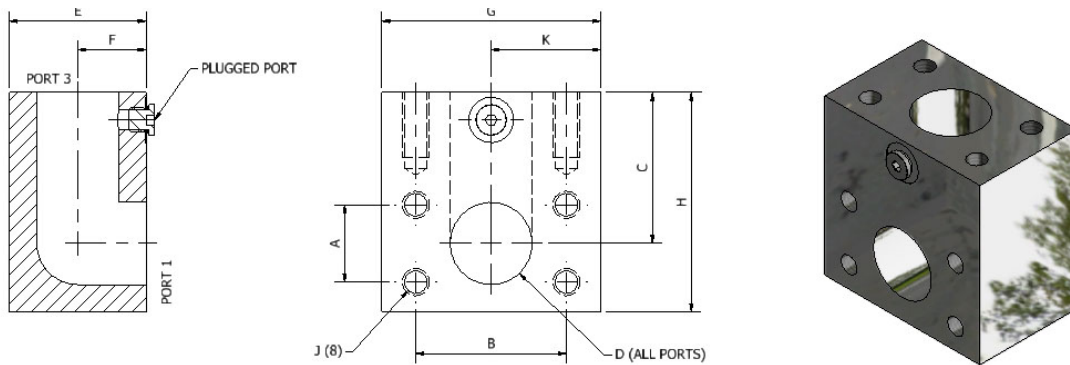
No Designation = Buna Nitrile.
 V = Viton.

Ordering Example: A/RRFE-200-FC34-SS-V



SAE 3000 PSI Block Elbow

SAE J518 Code 61 (ISO 6162-1) Flange Style



BE34 - Block Elbow Flat Face with Threaded Holes Complete with #4 SAE Port (Plugged), NPS

| Size | Block Elbow Part Number | Dimensions (in) | | | | | | | | | Thread UNC-2B | WT lbs (kg) | Working Pressure PSI (bar) |
|--------|-------------------------|-----------------|------|------|------|------|------|------|------|------|---------------|---------------|----------------------------|
| | | A | B | C | D | E | F | G | H | K | | | |
| 1/2" | BE34-050-* | 0.69 | 1.50 | 1.88 | 0.50 | 2.00 | 1.00 | 2.50 | 2.50 | 1.25 | 5/16"-18 | 3.30 (1.50) | 5000 (350) |
| 3/4" | BE34-075-* | 0.88 | 1.88 | 2.25 | 0.75 | 2.00 | 1.00 | 3.00 | 3.25 | 1.50 | 3/8"-16 | 5.00 (2.27) | 5000 (350) |
| 1" | BE34-100-* | 1.03 | 2.06 | 2.25 | 0.94 | 2.00 | 1.00 | 3.00 | 3.25 | 1.50 | 3/8"-16 | 4.50 (2.04) | 5000 (350) |
| 1-1/4" | BE34-125-* | 1.19 | 2.31 | 2.75 | 1.25 | 2.25 | 1.13 | 3.00 | 4.00 | 1.50 | 7/16"-14 | 5.70 (2.59) | 4000 (280) |
| 1-1/2" | BE34-150-* | 1.41 | 2.75 | 2.75 | 1.50 | 2.50 | 1.25 | 4.00 | 4.00 | 2.00 | 1/2"-13 | 8.60 (3.90) | 4000 (280) |
| 2" | BE34-200-* | 1.69 | 3.06 | 3.00 | 1.94 | 3.00 | 1.50 | 4.00 | 4.50 | 2.00 | 1/2"-13 | 10.60 (4.81) | 4000 (280) |
| 2-1/2" | BE34-250-* | 2.00 | 3.50 | 3.25 | 2.38 | 3.50 | 1.75 | 5.00 | 5.00 | 2.50 | 1/2"-13 | 17.40 (7.89) | 3000 (210) |
| 3" | BE34-300-* | 2.44 | 4.19 | 3.75 | 2.88 | 4.00 | 2.00 | 5.50 | 6.00 | 2.75 | 5/8"-11 | 25.60 (11.61) | 3000 (210) |

BEM34 - Block Elbow Flat Face with Threaded Holes Complete with G1/8 Port (Plugged), Metric

| Size | Block Elbow Part Number | Dimensions (mm) | | | | | | | | | Thread | WT lbs (kg) | Working Pressure PSI (bar) |
|--------|-------------------------|-----------------|-------|------|------|-------|------|--------|-------|------|------------|---------------|----------------------------|
| | | A | B | C | D | E | F | G | H | K | | | |
| 1/2" | BEM34-050-* | 17.5 | 38.1 | 47.8 | 12.7 | 50.8 | 25.4 | 63.5 | 63.5 | 31.8 | M8 x 1.25 | 3.30 (1.50) | 5000 (350) |
| 3/4" | BEM34-075-* | 22.4 | 47.8 | 57.2 | 19.1 | 50.8 | 25.4 | 76.2 | 82.6 | 38.1 | M10 x 1.50 | 5.00 (2.27) | 5000 (350) |
| 1" | BEM34-100-* | 26.2 | 52.3 | 57.2 | 23.9 | 50.8 | 25.4 | 76.2 | 82.6 | 38.1 | M10 x 1.50 | 4.50 (2.04) | 5000 (350) |
| 1-1/4" | BEM34-125-* | 30.2 | 58.7 | 69.9 | 31.8 | 57.2 | 28.7 | 76.2 | 101.6 | 38.1 | M10 x 1.50 | 5.70 (2.59) | 4000 (280) |
| 1-1/2" | BEM34-150-* | 35.8 | 69.9 | 69.9 | 38.1 | 63.5 | 31.8 | 101.6 | 101.6 | 50.8 | M12 x 1.75 | 8.60 (3.90) | 4000 (280) |
| 2" | BEM34-200-* | 42.9 | 77.7 | 76.2 | 49.3 | 76.2 | 38.1 | 101.6 | 114.3 | 50.8 | M12 x 1.75 | 10.60 (4.81) | 4000 (280) |
| 2-1/2" | BEM34-250-* | 50.8 | 88.9 | 82.6 | 60.5 | 88.9 | 44.5 | 127.0 | 127.0 | 63.5 | M12 x 1.75 | 17.40 (7.89) | 3000 (210) |
| 3" | BEM34-300-* | 62.0 | 106.4 | 95.3 | 73.2 | 101.6 | 50.8 | 139.70 | 152.4 | 69.9 | M16 x 2.00 | 25.60 (11.61) | 3000 (210) |

Materials:

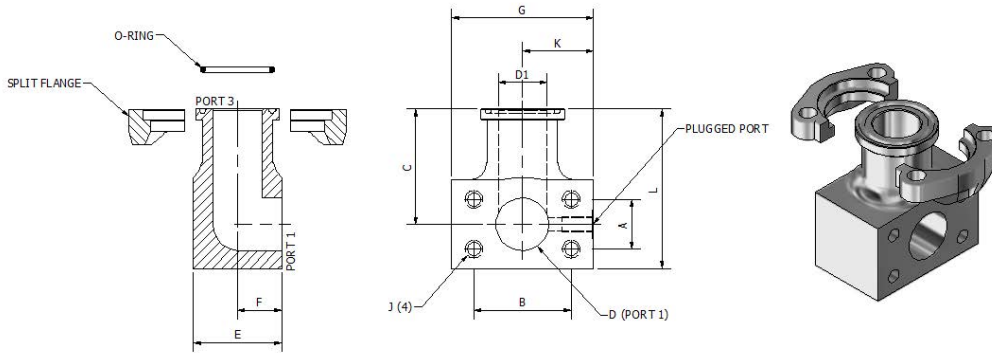
Standard, No Designation = All Carbon Steel, Clear Zinc Plated (Cr6 Free).
SS = Stainless Steel, Type 316.

Ordering Example: BE34-200-SS

* Insert Material

SAE 3000 PSI Split Flange Elbow

SAE J518 Code 61 (ISO 6162-1) Flange Style



Complete Flange Set Includes:

- One (1) Split Flange Elbow
- One (1) Set (2 Halves) Split Flange
- One (1) O-Ring
- One (1) Component Bolt Kit

A/SFE34 - Split Flange Elbow Assembly Flat Face with Threaded Holes Complete with Buna O-Rings and #4 SAE Port (Plugged), NPS

| Size | Complete Assembly Part Number | Dimensions (in) | | | | | | | | | | Thread UNC-2B | O-Ring (Buna) Part Number | Assembly WT lbs (kg) | Body Only Part Number | Body Only WT lbs (kg) | Working Pressure PSI (bar) |
|--------|-------------------------------|-----------------|------|------|------|------|------|------|------|------|------|---------------|---------------------------|----------------------|-----------------------|-----------------------|----------------------------|
| | | A | B | C | D | D1 | E | F | G | K | L | | | | | | |
| 1/2" | A/SFE34-050-*^ | 0.69 | 1.50 | 2.50 | 0.50 | 0.38 | 2.00 | 1.00 | 2.50 | 1.25 | 3.50 | 5/16"-18 | OR^2-210 | 3.37 (1.59) | SFE34-050-*^ | 2.95 (1.34) | 5000 (350) |
| 3/4" | A/SFE34-075-*^ | 0.88 | 1.88 | 2.75 | 0.75 | 0.63 | 2.00 | 1.00 | 3.00 | 1.50 | 3.75 | 3/8"-16 | OR^2-214 | 4.01 (1.82) | SFE34-075-*^ | 3.50 (1.59) | 5000 (350) |
| 1" | A/SFE34-100-*^ | 1.03 | 2.06 | 2.75 | 0.94 | 0.88 | 2.00 | 1.00 | 3.00 | 1.50 | 3.75 | 3/8"-16 | OR^2-219 | 4.05 (1.84) | SFE34-100-*^ | 3.40 (1.54) | 5000 (350) |
| 1-1/4" | A/SFE34-125-*^ | 1.19 | 2.31 | 3.13 | 1.25 | 1.13 | 2.25 | 1.13 | 3.00 | 1.50 | 4.25 | 7/16"-14 | OR^2-222 | 5.19 (2.35) | SFE34-125-*^ | 4.30 (1.95) | 4000 (280) |
| 1-1/2" | A/SFE34-150-*^ | 1.41 | 2.75 | 3.25 | 1.50 | 1.38 | 2.50 | 1.25 | 4.00 | 2.00 | 4.50 | 1/2"-13 | OR^2-225 | 8.14 (3.69) | SFE34-150-*^ | 6.70 (3.04) | 4000 (280) |
| 2" | A/SFE34-200-*^ | 1.69 | 3.06 | 3.50 | 1.94 | 1.88 | 3.50 | 1.75 | 4.00 | 2.00 | 5.00 | 1/2"-13 | OR^2-228 | 10.66 (4.84) | SFE34-200-*^ | 9.10 (4.13) | 4000 (280) |
| 2-1/2" | A/SFE34-250-*^ | 2.00 | 3.50 | 4.00 | 2.38 | 2.38 | 3.50 | 1.75 | 4.50 | 2.25 | 5.75 | 1/2"-13 | OR^2-232 | 14.93 (6.77) | SFE34-250-*^ | 12.80 (5.81) | 3000 (210) |
| 3" | A/SFE34-300-*^ | 2.44 | 4.19 | 4.50 | 2.88 | 2.88 | 4.00 | 2.00 | 5.50 | 2.75 | 6.50 | 5/8"-11 | OR^2-237 | 24.15 (10.95) | SFE34-300-*^ | 20.50 (9.30) | 3000 (210) |

A/SFEM34 - Split Flange Elbow Assembly Flat Face with Threaded Holes Complete with Buna O-Rings and G1/8 Port (Plugged), Metric

| Size | Complete Assembly Part Number | Dimensions (mm) | | | | | | | | | | Thread | O-Ring (Buna) Part Number | Assembly WT lbs (kg) | Body Only Part Number | Body Only WT lbs (kg) | Working Pressure PSI (bar) |
|--------|-------------------------------|-----------------|-------|-------|------|------|-------|------|-------|------|-------|------------|---------------------------|----------------------|-----------------------|-----------------------|----------------------------|
| | | A | B | C | D | D1 | E | F | G | K | L | | | | | | |
| 1/2" | A/SFEM34-050-*^ | 17.5 | 38.1 | 63.5 | 12.7 | 9.7 | 50.8 | 25.4 | 63.5 | 31.8 | 88.9 | M8 x 1.25 | OR^2-210 | 3.37 (1.59) | SFEM34-050-*^ | 2.95 (1.34) | 5000 (350) |
| 3/4" | A/SFEM34-075-*^ | 22.4 | 47.8 | 69.9 | 19.1 | 16.0 | 50.8 | 25.4 | 76.2 | 38.1 | 95.3 | M10 x 1.50 | OR^2-214 | 4.01 (1.82) | SFEM34-075-*^ | 3.50 (1.59) | 5000 (350) |
| 1" | A/SFEM34-100-*^ | 26.2 | 52.3 | 69.9 | 23.9 | 22.4 | 50.8 | 25.4 | 76.2 | 38.1 | 95.3 | M10 x 1.50 | OR^2-219 | 4.05 (1.84) | SFEM34-100-*^ | 3.40 (1.54) | 5000 (350) |
| 1-1/4" | A/SFEM34-125-*^ | 30.2 | 58.7 | 79.5 | 31.8 | 28.7 | 57.2 | 28.7 | 76.2 | 38.1 | 108.0 | M10 x 1.50 | OR^2-222 | 5.19 (2.35) | SFEM34-125-*^ | 4.30 (1.95) | 4000 (280) |
| 1-1/2" | A/SFEM34-150-*^ | 35.8 | 69.9 | 82.6 | 38.1 | 34.9 | 63.5 | 31.8 | 101.6 | 50.8 | 114.3 | M12 x 1.75 | OR^2-225 | 8.14 (3.69) | SFEM34-150-*^ | 6.70 (3.04) | 4000 (280) |
| 2" | A/SFEM34-200-*^ | 42.9 | 77.7 | 88.9 | 49.3 | 47.8 | 76.2 | 38.1 | 101.6 | 50.8 | 127.0 | M12 x 1.75 | OR^2-228 | 10.66 (4.84) | SFEM34-200-*^ | 9.10 (4.13) | 4000 (280) |
| 2-1/2" | A/SFEM34-250-*^ | 50.8 | 88.9 | 101.6 | 60.5 | 60.5 | 88.9 | 44.5 | 114.3 | 57.2 | 146.1 | M12 x 1.75 | OR^2-232 | 14.93 (6.77) | SFEM34-250-*^ | 12.80 (5.81) | 3000 (210) |
| 3" | A/SFEM34-300-*^ | 62.0 | 106.4 | 114.3 | 73.2 | 73.2 | 101.6 | 50.8 | 139.7 | 69.9 | 165.1 | M16 x 2.00 | OR^2-237 | 24.15 (10.95) | SFEM34-300-*^ | 20.50 (9.30) | 3000 (210) |

*** Materials:**

Standard, No Designation = All Carbon Steel, Clear Zinc Plated (Cr6 Free).

SS = Stainless Steel, Type 316.

^ O-Ring Type:

Standard, No Designation = Buna Nitrile.

V = Viton.

Ordering Example: A/SFE34-200-SS-V

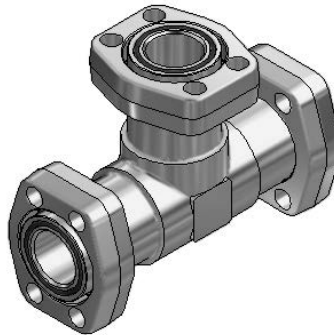
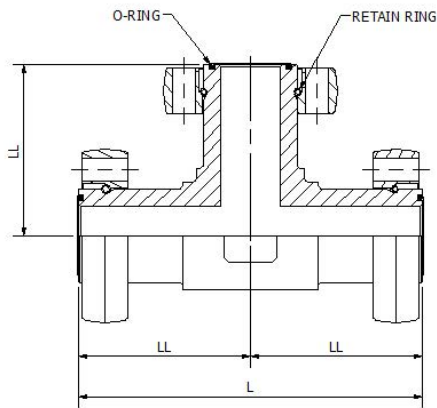
* Insert Material _____

^ Insert O-Ring Type _____

3D step models available upon request

SAE 3000 PSI Flange Tee Complete Assembly

SAE J518 Code 61 (ISO 6162-1)



Complete Flange Set Includes:

- One (1) Flange Tee
- Three (3) Retain Ring Flanges
- Three (3) Retain Rings
- Three (3) Face O-Rings

To be Ordered Separately:

- Bolt Kit
- See Section

A/RRFT - Flange Tee Complete Assembly Complete with Buna O-Ring

| Size | Complete Assembly Part Number | Dimensions in (mm) | | O-Ring (Buna) Part Number | Assembly WT lbs (kg) | Body Only Part Number | Body Only WT lbs (kg) | Working Pressure PSI (bar) |
|--------|-------------------------------|--------------------|--------------|---------------------------|----------------------|-----------------------|-----------------------|----------------------------|
| | | L | LL | | | | | |
| 1/2" | A/RRFT-050-FC34-*^-^ | 4.81 (122.2) | 2.41 (112.0) | OR^3-909 | 2.75 (1.25) | RRFT-050-*^-^ | 1.46 (0.66) | 5000 (350) |
| 3/4" | A/RRFT-075-FC34-*^-^ | 5.22 (132.6) | 2.61 (66.3) | OR^3-913 | 3.96 (1.50) | RRFT-075-*^-^ | 2.61 (1.18) | 5000 (350) |
| 1" | A/RRFT-100-FC34-*^-^ | 5.62 (142.7) | 2.81 (71.4) | OR^3-916 | 4.74 (2.15) | RRFT-100-*^-^ | 2.91 (1.32) | 5000 (350) |
| 1-1/4" | A/RRFT-125-FC34-*^-^ | 6.45 (163.8) | 3.21 (81.6) | OR^3-918 | 7.71 (3.50) | RRFT-125-*^-^ | 4.89 (2.22) | 4000 (280) |
| 1-1/2" | A/RRFT-150-FC34-*^-^ | 8.02 (183.3) | 4.01 (101.9) | OR^3-924 | 9.48 (4.30) | RRFT-150-*^-^ | 8.10 (3.76) | 4000 (280) |
| 2" | A/RRFT-200-FC34-*^-^ | 8.81 (223.8) | 4.40 (111.8) | OR^3-928 | 13.94 (6.32) | RRFT-200-*^-^ | 9.90 (4.44) | 4000 (280) |
| 2-1/2" | A/RRFT-250-FC34-*^-^ | 10.38 (263.7) | 5.19 (131.8) | OR^2-232 | 23.55(10.68) | RRFT-250-*^-^ | 15.36 (6.97) | 3000 (210) |

Flange Options:

FC34 = SAE 3000 PSI Code 61 (ISO 6162-1) Clearance

FT34 = SAE 3000 PSI Code 61 (ISO 6162-1) UNC Threaded

FTM34 = SAE 3000 PSI Code 61 (ISO 6162-1) Metric Threaded

Materials:

No Designation = All Carbon Steel, Clear Zinc Plated (Cr6 Free).

SS = Stainless Steel, Type 316.

^ O-Ring Type:

No Designation = Buna Nitrile.

V = Viton.

Ordering Example: A/RRFT-200-FC34-SS-V

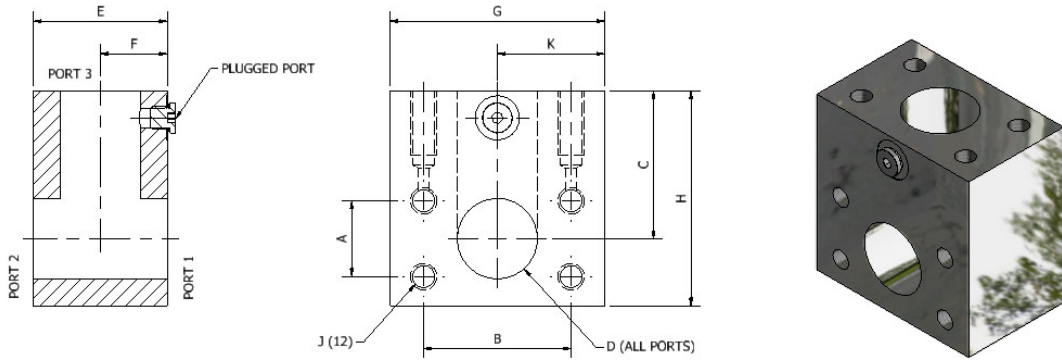
Flange Option _____

* Insert Material _____

^ Insert O-Ring Type _____

SAE 3000 PSI Block Tee

SAE J518 Code 61 (ISO 6162-1) Flange Style



BT34 - Block Tee Flat Face with Threaded Holes Complete with #4 SAE Port (Plugged), NPS

| Size | Block Tee Part No | Dimensions (in) | | | | | | | | | Thread UNC-2B | WT lbs (kg) | Working Pressure PSI (bar) |
|--------|-------------------|-----------------|------|------|------|------|------|------|------|------|---------------|---------------|----------------------------|
| | | A | B | C | D | E | F | G | H | K | | | |
| 1/2" | BT34-050-* | 0.69 | 1.50 | 1.88 | 0.50 | 2.00 | 1.00 | 2.50 | 2.50 | 1.25 | 5/16"-18 | 3.10 (1.41) | 5000 (350) |
| 3/4" | BT34-075-* | 0.88 | 1.88 | 2.25 | 0.75 | 2.00 | 1.00 | 3.00 | 3.25 | 1.50 | 3/8"-16 | 4.60 (2.09) | 5000 (350) |
| 1" | BT34-100-* | 1.03 | 2.06 | 2.25 | 0.94 | 2.00 | 1.00 | 3.00 | 3.25 | 1.50 | 3/8"-16 | 4.30 (1.95) | 5000 (350) |
| 1-1/4" | BT34-125-* | 1.19 | 2.31 | 2.75 | 1.25 | 2.25 | 1.13 | 3.00 | 4.00 | 1.50 | 7/16"-14 | 5.70 (2.59) | 4000 (280) |
| 1-1/2" | BT34-150-* | 1.41 | 2.75 | 2.75 | 1.50 | 2.50 | 1.25 | 4.00 | 4.00 | 2.00 | 1/2"-13 | 8.20 (3.72) | 4000 (280) |
| 2" | BT34-200-* | 1.69 | 3.06 | 3.00 | 1.94 | 3.00 | 1.50 | 4.00 | 4.50 | 2.00 | 1/2"-13 | 10.00 (4.54) | 4000 (280) |
| 2-1/2" | BT34-250-* | 2.00 | 3.50 | 3.25 | 2.38 | 3.50 | 1.75 | 5.00 | 5.00 | 2.50 | 1/2"-13 | 16.30 (7.39) | 3000 (210) |
| 3" | BT34-300-* | 2.44 | 4.19 | 3.75 | 2.88 | 4.00 | 2.00 | 5.50 | 6.00 | 2.75 | 5/8"-11 | 23.70 (10.75) | 3000 (210) |

BTM34 - Block Tee Flat Face with Threaded Holes Complete with G1/8 Port (Plugged), Metric

| Size (inch) | Block Tee Part No | Dimensions (mm) | | | | | | | | | Thread | WT lbs (kg) | Working Pressure PSI (bar) |
|-------------|-------------------|-----------------|-------|------|------|-------|------|-------|-------|------|------------|---------------|----------------------------|
| | | A | B | C | D | E | F | G | H | K | | | |
| 1/2" | BTM34-050-* | 17.5 | 38.1 | 47.8 | 12.7 | 50.8 | 25.4 | 63.5 | 63.5 | 31.8 | M8 x 1.25 | 3.10 (1.41) | 5000 (350) |
| 3/4" | BTM34-075-* | 22.4 | 47.8 | 57.2 | 19.1 | 50.8 | 25.4 | 76.2 | 82.6 | 38.1 | M10 x 1.50 | 4.60 (2.09) | 5000 (350) |
| 1" | BTM34-100-* | 26.2 | 52.3 | 57.2 | 23.9 | 50.8 | 25.4 | 76.2 | 82.6 | 38.1 | M10 x 1.50 | 4.30 (1.95) | 5000 (350) |
| 1-1/4" | BTM34-125-* | 30.2 | 58.7 | 69.9 | 31.8 | 57.2 | 28.7 | 76.2 | 101.6 | 38.1 | M10 x 1.50 | 5.70 (2.59) | 4000 (280) |
| 1-1/2" | BTM34-150-* | 35.8 | 69.9 | 69.9 | 38.1 | 63.5 | 31.8 | 101.6 | 101.6 | 50.8 | M12 x 1.75 | 8.20 (3.72) | 4000 (280) |
| 2" | BTM34-200-* | 42.9 | 77.7 | 76.2 | 49.3 | 76.2 | 38.1 | 101.6 | 114.3 | 50.8 | M12 x 1.75 | 10.00 (4.54) | 4000 (280) |
| 2-1/2" | BTM34-250-* | 50.8 | 88.9 | 82.6 | 60.5 | 88.9 | 44.5 | 127.0 | 127.0 | 63.5 | M12 x 1.75 | 16.30 (7.39) | 3000 (210) |
| 3" | BTM34-300-* | 62.0 | 106.4 | 95.3 | 73.2 | 101.6 | 50.8 | 139.7 | 152.4 | 69.9 | M16 x 2.00 | 23.70 (10.75) | 3000 (210) |

*** Materials:**

Standard, No Designation = All Carbon Steel, Clear Zinc Plated (Cr6 Free).
 SS = Stainless Steel, Type 316.

Ordering Example: BT34-200-SS

* Insert Material

3D step models available upon request

Introduction

Technical Data

Pipe Selection Guide

16 bar, 90° Flare

ANSI 150#, 300# Flare

SAE 1000, 70 bar

SAE 3000, 210 bar

SAE 6000, 420 bar

SAE 10000, 400 bar

ISO 6164, 400 bar

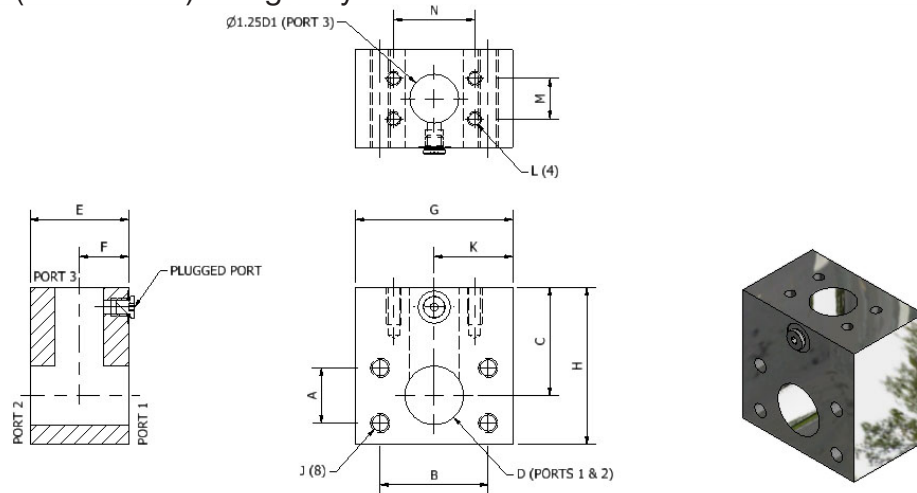
Clamps

Valves, Ball and Check

Machines

SAE 3000 PSI Reducing Branch Block Tee - NPS

SAE J518 Code 61 (ISO 6162-1) Flange Style



BTR34 - Reducing Branch Block Tee Flat Face with Threaded Holes Complete with #4 SAE Port (Plugged), NPS

| Size (run x branch) | Tee Part Number | Dimensions (in) | | | | | | | | | | | | Thread 1 UNC-2B | Thread 2 UNC-2B | WT lbs (kg) | Working Pressure PSI (bar) |
|---------------------------|--------------------|-----------------|------|------|------|------|------|------|------|------|------|------|------|--------------------|--------------------|----------------|----------------------------------|
| | | A | B | C | D | D1 | E | F | G | H | K | M | N | | | | |
| 3/4"x1/2" | BTR34-075x050-* | 0.88 | 1.88 | 2.25 | 0.75 | 0.50 | 2.00 | 1.00 | 3.00 | 3.25 | 1.50 | 0.69 | 1.50 | 3/8"-16 | 5/16"-18 | 4.80 (2.18) | 5000 (350) |
| 1"x1/2" | BTR34-100x050-* | 1.03 | 2.06 | 2.25 | 0.94 | 0.50 | 2.00 | 1.00 | 3.00 | 3.25 | 1.50 | 0.69 | 1.50 | 3/8"-16 | 5/16"-18 | 4.70 (2.13) | 5000 (350) |
| 1"x3/4" | BTR34-100x075-* | 1.03 | 2.06 | 2.25 | 0.94 | 0.75 | 2.00 | 1.00 | 3.00 | 3.25 | 1.50 | 0.88 | 1.88 | 3/8"-16 | 3/8"-16 | 4.60 (2.09) | 5000 (350) |
| 1-1/4"x1/2" | BTR34-125x050-* | 1.19 | 2.31 | 2.75 | 1.25 | 0.50 | 2.25 | 1.13 | 3.00 | 4.00 | 1.50 | 0.69 | 1.50 | 7/16"-14 | 5/16"-18 | 5.80 (2.63) | 4000 (280) |
| 1-1/4"x3/4" | BTR34-125x075-* | 1.19 | 2.31 | 2.75 | 1.25 | 0.75 | 2.25 | 1.13 | 3.00 | 4.00 | 1.50 | 0.88 | 1.88 | 7/16"-14 | 3/8"-16 | 5.80 (2.63) | 4000 (280) |
| 1-1/4"x1" | BTR34-125x100-* | 1.19 | 2.31 | 2.75 | 1.25 | 0.94 | 2.25 | 1.13 | 3.00 | 4.00 | 1.50 | 1.03 | 2.06 | 7/16"-14 | 3/8"-16 | 5.80 (2.63) | 4000 (280) |
| 1-1/2"x1/2" | BTR34-150x050-* | 1.41 | 2.75 | 2.75 | 1.50 | 0.50 | 2.50 | 1.25 | 4.00 | 4.00 | 2.00 | 0.69 | 1.50 | 1/2"-13 | 5/16"-18 | 9.25 (4.20) | 4000 (280) |
| 1-1/2"x3/4" | BTR34-150x075-* | 1.41 | 2.75 | 2.75 | 1.50 | 0.75 | 2.50 | 1.25 | 4.00 | 4.00 | 2.00 | 0.88 | 1.88 | 1/2"-13 | 3/8"-16 | 9.20 (4.17) | 4000 (280) |
| 1-1/2"x1" | BTR34-150x100-* | 1.41 | 2.75 | 2.75 | 1.50 | 0.94 | 2.50 | 1.25 | 4.00 | 4.00 | 2.00 | 1.03 | 2.06 | 1/2"-13 | 3/8"-16 | 9.00 (4.08) | 4000 (280) |
| 1-1/2"x1-1/4" | BTR34-150x125-* | 1.41 | 2.75 | 2.75 | 1.50 | 1.25 | 2.50 | 1.25 | 4.00 | 4.00 | 2.00 | 1.19 | 2.31 | 1/2"-13 | 7/16"-14 | 8.65 (3.92) | 4000 (280) |
| 2"x1/2" | BTR34-200x050-* | 1.69 | 3.06 | 3.00 | 1.94 | 0.50 | 3.00 | 1.50 | 4.00 | 4.50 | 2.00 | 0.69 | 1.50 | 1/2"-13 | 5/16"-18 | 11.70 (5.31) | 4000 (280) |
| 2"x3/4" | BTR34-200x075-* | 1.69 | 3.06 | 3.00 | 1.94 | 0.75 | 3.00 | 1.50 | 4.00 | 4.50 | 2.00 | 0.88 | 1.88 | 1/2"-13 | 3/8"-16 | 11.60 (5.26) | 4000 (280) |
| 2"x1" | BTR34-200x100-* | 1.69 | 3.06 | 3.00 | 1.94 | 0.94 | 3.00 | 1.50 | 4.00 | 4.50 | 2.00 | 1.03 | 2.06 | 1/2"-13 | 3/8"-16 | 11.60 (5.26) | 4000 (280) |
| 2"x1-1/4" | BTR34-200x125-* | 1.69 | 3.06 | 3.00 | 1.94 | 1.25 | 3.00 | 1.50 | 4.00 | 4.50 | 2.00 | 1.19 | 2.31 | 1/2"-13 | 7/16"-14 | 11.60 (5.26) | 4000 (280) |
| 2"x1-1/2" | BTR34-200x150-* | 1.69 | 3.06 | 3.00 | 1.94 | 1.50 | 3.00 | 1.50 | 4.00 | 4.50 | 2.00 | 1.41 | 2.75 | 1/2"-13 | 1/2"-13 | 11.60 (5.26) | 4000 (280) |
| 2-1/2"x1/2" | BTR34-250x050-* | 2.00 | 3.50 | 3.25 | 2.38 | 0.50 | 3.50 | 1.75 | 5.00 | 5.00 | 2.50 | 0.69 | 1.50 | 1/2"-13 | 5/16"-18 | 19.40 (8.80) | 3000 (210) |
| 2-1/2"x3/4" | BTR34-250x075-* | 2.00 | 3.50 | 3.25 | 2.38 | 0.75 | 3.50 | 1.75 | 5.00 | 5.00 | 2.50 | 0.88 | 1.88 | 1/2"-13 | 3/8"-16 | 19.20 (8.71) | 3000 (210) |
| 2-1/2"x1" | BTR34-250x100-* | 2.00 | 3.50 | 3.25 | 2.38 | 0.94 | 3.50 | 1.75 | 5.00 | 5.00 | 2.50 | 1.03 | 2.06 | 1/2"-13 | 3/8"-16 | 19.00 (8.62) | 3000 (210) |
| 2-1/2"x1-1/4" | BTR34-250x125-* | 2.00 | 3.50 | 3.25 | 2.38 | 1.25 | 3.50 | 1.75 | 5.00 | 5.00 | 2.50 | 1.19 | 2.31 | 1/2"-13 | 7/16"-14 | 18.80 (8.53) | 3000 (210) |
| 2-1/2"x1-1/2" | BTR34-250x150-* | 2.00 | 3.50 | 3.25 | 2.38 | 1.50 | 3.50 | 1.75 | 5.00 | 5.00 | 2.50 | 1.41 | 2.75 | 1/2"-13 | 1/2"-13 | 18.30 (8.30) | 3000 (210) |
| 2-1/2"x2" | BTR34-250x200-* | 2.00 | 3.50 | 3.25 | 2.38 | 1.94 | 3.50 | 1.75 | 5.00 | 5.00 | 2.50 | 1.69 | 3.06 | 1/2"-13 | 1/2"-13 | 17.56 (7.97) | 3000 (210) |
| 3"x1/2" | BTR34-300x050-* | 2.44 | 4.19 | 3.75 | 2.88 | 0.50 | 4.00 | 2.00 | 5.50 | 6.00 | 2.75 | 0.69 | 1.50 | 5/8"-11 | 5/16"-18 | 28.20 (12.80) | 3000 (210) |
| 3"x3/4" | BTR34-300x075-* | 2.44 | 4.19 | 3.75 | 2.88 | 0.75 | 4.00 | 2.00 | 5.50 | 6.00 | 2.75 | 0.88 | 1.88 | 5/8"-11 | 3/8"-16 | 26.00 (11.79) | 3000 (210) |
| 3"x1" | BTR34-300x100-* | 2.44 | 4.19 | 3.75 | 2.88 | 0.94 | 4.00 | 2.00 | 5.50 | 6.00 | 2.75 | 1.03 | 2.06 | 5/8"-11 | 3/8"-16 | 26.00 (11.79) | 3000 (210) |
| 3"x1-1/4" | BTR34-300x125-* | 2.44 | 4.19 | 3.75 | 2.88 | 1.25 | 4.00 | 2.00 | 5.50 | 6.00 | 2.75 | 1.19 | 2.31 | 5/8"-11 | 7/16"-14 | 28.13 (12.78) | 3000 (210) |
| 3"x1-1/2" | BTR34-300x150-* | 2.44 | 4.19 | 3.75 | 2.88 | 1.50 | 4.00 | 2.00 | 5.50 | 6.00 | 2.75 | 1.41 | 2.75 | 5/8"-11 | 1/2"-13 | 27.67 (12.55) | 3000 (210) |
| 3"x2" | BTR34-300x200-* | 2.44 | 4.19 | 3.75 | 2.88 | 1.94 | 4.00 | 2.00 | 5.50 | 6.00 | 2.75 | 1.69 | 3.06 | 5/8"-11 | 1/2"-13 | 26.87 (12.19) | 3000 (210) |
| 3"x2-1/2" | BTR34-300x250-* | 2.44 | 4.19 | 3.75 | 2.88 | 2.38 | 4.00 | 2.00 | 5.50 | 6.00 | 2.75 | 2.00 | 3.50 | 5/8"-11 | 1/2"-13 | 25.30 (11.48) | 3000 (210) |

*** Materials:**

Standard, No Designation = All Carbon Steel, Clear Zinc Plated (Cr6 Free).

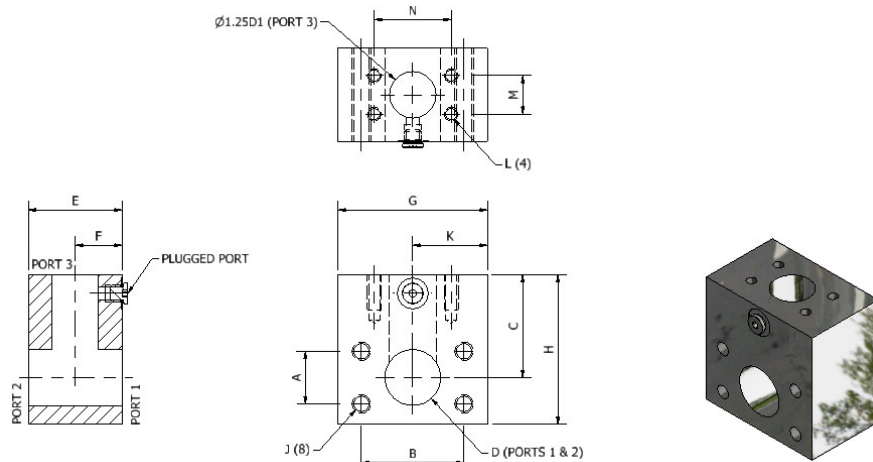
SS = Stainless Steel, Type 316.

Ordering Example: BTR34-200x050-SS

* Insert Material

SAE 3000 PSI Reducing Branch Block Tee - Metric

SAE J518 Code 61 (ISO 6162-1) Flange Style



BTRM34 - Reducing Branch Block Tee Flat Face with Threaded Holes Complete with G1/8 Port (Plugged), Metric

| Size (run x branch) | Block Tee Part Number | Dimensions (mm) | | | | | | | | | | | Thread 1 | Thread 2 | WT lbs (kg) | Working Pressure PSI (bar) | |
|---------------------------|--------------------------|-----------------|-------|------|------|------|-------|------|-------|-------|------|------|----------|------------|----------------|----------------------------------|------------|
| | | A | B | C | D | D1 | E | F | G | H | K | M | | | | | N |
| 3/4"x1/2" | BTRM34-075x050-* | 22.4 | 47.8 | 57.2 | 19.1 | 12.7 | 50.8 | 25.4 | 76.2 | 82.6 | 38.1 | 17.5 | 38.1 | M10 X 1.50 | M8 X 1.25 | 4.80 (2.18) | 5000 (350) |
| 1"x1/2" | BTRM34-100x050-* | 26.2 | 52.3 | 57.2 | 23.9 | 12.7 | 50.8 | 25.4 | 76.2 | 82.6 | 38.1 | 17.5 | 38.1 | M10 X 1.50 | M8 X 1.25 | 4.70 (2.13) | 5000 (350) |
| 1"x3/4" | BTRM34-100x075-* | 26.2 | 52.3 | 57.2 | 23.9 | 19.1 | 50.8 | 25.4 | 76.2 | 82.6 | 38.1 | 22.4 | 47.8 | M10 X 1.50 | M10 X 1.50 | 4.60 (2.09) | 5000 (350) |
| 1-1/4"x1/2" | BTRM34-125x050-* | 30.2 | 58.7 | 69.9 | 31.8 | 12.7 | 57.2 | 28.7 | 76.2 | 101.6 | 38.1 | 17.5 | 38.1 | M10 X 1.50 | M8 X 1.25 | 5.80 (2.63) | 4000 (280) |
| 1-1/4"x3/4" | BTRM34-125x075-* | 30.2 | 58.7 | 69.9 | 31.8 | 19.1 | 57.2 | 28.7 | 76.2 | 101.6 | 38.1 | 22.4 | 47.8 | M10 X 1.50 | M10 X 1.50 | 5.80 (2.63) | 4000 (280) |
| 1-1/4"x1" | BTRM34-125x100-* | 30.2 | 58.7 | 69.9 | 31.8 | 23.9 | 57.2 | 28.7 | 76.2 | 101.6 | 38.1 | 26.2 | 52.3 | M10 X 1.50 | M10 X 1.50 | 5.80 (2.63) | 4000 (280) |
| 1-1/2"x1/2" | BTRM34-150x050-* | 35.8 | 69.9 | 69.9 | 38.1 | 12.7 | 63.5 | 31.8 | 101.6 | 101.6 | 50.8 | 17.5 | 38.1 | M12 X 1.75 | M8 X 1.25 | 9.25 (4.20) | 4000 (280) |
| 1-1/2"x3/4" | BTRM34-150x075-* | 35.8 | 69.9 | 69.9 | 38.1 | 19.1 | 63.5 | 31.8 | 101.6 | 101.6 | 50.8 | 22.4 | 47.8 | M12 X 1.75 | M10 X 1.50 | 9.20 (4.17) | 4000 (280) |
| 1-1/2"x1" | BTRM34-150x100-* | 35.8 | 69.9 | 69.9 | 38.1 | 23.9 | 63.5 | 31.8 | 101.6 | 101.6 | 50.8 | 26.2 | 52.3 | M12 X 1.75 | M10 X 1.50 | 9.00 (4.08) | 4000 (280) |
| 1-1/2"x1-1/4" | BTRM34-150x125-* | 35.8 | 69.9 | 69.9 | 38.1 | 31.8 | 63.5 | 31.8 | 101.6 | 101.6 | 50.8 | 30.2 | 58.7 | M12 X 1.75 | M10 X 1.50 | 8.65 (3.92) | 4000 (280) |
| 2"x1/2" | BTRM34-200x050-* | 42.9 | 77.7 | 76.2 | 49.3 | 12.7 | 76.2 | 38.1 | 101.6 | 114.3 | 50.8 | 17.5 | 38.1 | M12 X 1.75 | M8 X 1.25 | 11.70 (5.31) | 4000 (280) |
| 2"x3/4" | BTRM34-200x075-* | 42.9 | 77.7 | 76.2 | 49.3 | 19.1 | 76.2 | 38.1 | 101.6 | 114.3 | 50.8 | 22.4 | 47.8 | M12 X 1.75 | M10 X 1.50 | 11.60 (5.26) | 4000 (280) |
| 2"x1" | BTRM34-200x100-* | 42.9 | 77.7 | 76.2 | 49.3 | 23.9 | 76.2 | 38.1 | 101.6 | 114.3 | 50.8 | 26.2 | 52.3 | M12 X 1.75 | M10 X 1.50 | 11.60 (5.26) | 4000 (280) |
| 2"x1-1/4" | BTRM34-200x125-* | 42.9 | 77.7 | 76.2 | 49.3 | 31.8 | 76.2 | 38.1 | 101.6 | 114.3 | 50.8 | 30.2 | 58.7 | M12 X 1.75 | M10 X 1.50 | 11.60 (5.26) | 4000 (280) |
| 2"x1-1/2" | BTRM34-200x150-* | 42.9 | 77.7 | 76.2 | 49.3 | 38.1 | 76.2 | 38.1 | 101.6 | 114.3 | 50.8 | 35.8 | 69.9 | M12 X 1.75 | M12 X 1.75 | 11.60 (5.26) | 4000 (280) |
| 2-1/2"x1/2" | BTRM34-250x050-* | 50.8 | 88.9 | 82.6 | 60.5 | 12.7 | 88.9 | 44.5 | 127.0 | 127.0 | 63.5 | 17.5 | 38.1 | M12 X 1.75 | M8 X 1.25 | 19.40 (8.80) | 3000 (210) |
| 2-1/2"x3/4" | BTRM34-250x075-* | 50.8 | 88.9 | 82.6 | 60.5 | 19.1 | 88.9 | 44.5 | 127.0 | 127.0 | 63.5 | 22.4 | 47.8 | M12 X 1.75 | M10 X 1.50 | 19.20 (8.71) | 3000 (210) |
| 2-1/2"x1" | BTRM34-250x100-* | 50.8 | 88.9 | 82.6 | 60.5 | 23.9 | 88.9 | 44.5 | 127.0 | 127.0 | 63.5 | 26.2 | 52.3 | M12 X 1.75 | M10 X 1.50 | 19.00 (8.62) | 3000 (210) |
| 2-1/2"x1-1/4" | BTRM34-250x125-* | 50.8 | 88.9 | 82.6 | 60.5 | 31.8 | 88.9 | 44.5 | 127.0 | 127.0 | 63.5 | 30.2 | 58.7 | M12 X 1.75 | M10 X 1.50 | 18.80 (8.53) | 3000 (210) |
| 2-1/2"x1-1/2" | BTRM34-250x150-* | 50.8 | 88.9 | 82.6 | 60.5 | 38.1 | 88.9 | 44.5 | 127.0 | 127.0 | 63.5 | 35.8 | 69.9 | M12 X 1.75 | M12 X 1.75 | 18.30 (8.30) | 3000 (210) |
| 2-1/2"x2" | BTRM34-250x200-* | 50.8 | 88.9 | 82.6 | 60.5 | 49.3 | 88.9 | 44.5 | 127.0 | 127.0 | 63.5 | 42.9 | 77.7 | M12 X 1.75 | M12 X 1.75 | 17.56 (7.97) | 3000 (210) |
| 3"x1/2" | BTRM34-300x050-* | 62.0 | 106.4 | 95.3 | 73.2 | 12.7 | 101.6 | 50.8 | 139.7 | 152.4 | 69.9 | 17.5 | 38.1 | M16 X 2.00 | M8 X 1.25 | 28.20 (12.80) | 3000 (210) |
| 3"x3/4" | BTRM34-300x075-* | 62.0 | 106.4 | 95.3 | 73.2 | 19.1 | 101.6 | 50.8 | 139.7 | 152.4 | 69.9 | 22.4 | 47.8 | M16 X 2.00 | M10 X 1.50 | 26.00 (11.79) | 3000 (210) |
| 3"x1" | BTRM34-300x100-* | 62.0 | 106.4 | 95.3 | 73.2 | 23.9 | 101.6 | 50.8 | 139.7 | 152.4 | 69.9 | 26.2 | 52.3 | M16 X 2.00 | M10 X 1.50 | 26.00 (11.79) | 3000 (210) |
| 3"x1-1/4" | BTRM34-300x125-* | 62.0 | 106.4 | 95.3 | 73.2 | 31.8 | 101.6 | 50.8 | 139.7 | 152.4 | 69.9 | 30.2 | 58.7 | M16 X 2.00 | M10 X 1.50 | 28.13 (12.78) | 3000 (210) |
| 3"x1-1/2" | BTRM34-300x150-* | 62.0 | 106.4 | 95.3 | 73.2 | 38.1 | 101.6 | 50.8 | 139.7 | 152.4 | 69.9 | 35.8 | 69.9 | M16 X 2.00 | M12 X 1.75 | 27.67 (12.55) | 3000 (210) |
| 3"x2" | BTRM34-300x200-* | 62.0 | 106.4 | 95.3 | 73.2 | 49.3 | 101.6 | 50.8 | 139.7 | 152.4 | 69.9 | 42.9 | 77.7 | M16 X 2.00 | M12 X 1.75 | 26.87 (12.19) | 3000 (210) |
| 3"x2-1/2" | BTRM34-300x250-* | 62.0 | 106.4 | 95.3 | 73.2 | 60.5 | 101.6 | 50.8 | 139.7 | 152.4 | 69.9 | 50.8 | 88.9 | M16 X 2.00 | M12 X 1.75 | 25.30 (11.48) | 3000 (210) |

*** Materials:**

Standard, No Designation = All Carbon Steel, Clear Zinc Plated (Cr6 Free).

SS = Stainless Steel, Type 316.

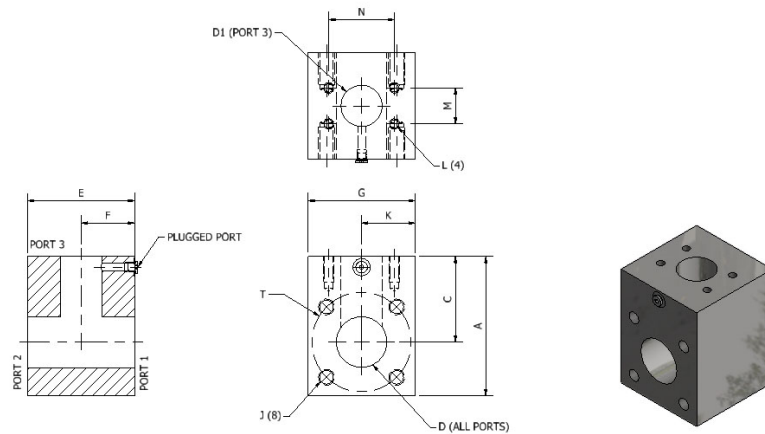
3D step models available upon request

Ordering Example: BTRM34-200x050-SS

* Insert Material _____

SAE 3000 PSI Reducing Branch Block Tee

ISO 6164/SAE J518 Code 61 (ISO 6162-1) Flange Style



BTR7-34 - Reducing Branch Block Tee Flat Face with Threaded Holes Complete with #4 SAE Port (Plugged), NPS

| Size (run x branch) | Block Tee Part Number | Dimensions (in) | | | | | | | | | | | Thread 1 UNC-2B | Thread 2 UNC-2B | WT lbs (kg) | Working Pressure PSI (bar) |
|---------------------------|--------------------------|-----------------|------|------|------|------|------|------|------|------|------|------|--------------------|--------------------|----------------|----------------------------------|
| | | T | C | D | D1 | E | F | G | H | K | M | N | | | | |
| 2-1/2"x2" | BTR7-34-250x200-* | 4.65 | 4.00 | 2.38 | 1.94 | 5.00 | 2.50 | 5.00 | 6.50 | 2.50 | 1.69 | 3.06 | 3/4"-10 | 1/2"-13 | 35.60 (16.15) | 3000 (210) |
| 3"x2" | BTR7-34-300x200-* | 5.71 | 5.00 | 2.88 | 1.94 | 6.00 | 3.00 | 6.00 | 8.00 | 3.00 | 1.69 | 3.06 | 1"-8 | 1/2"-13 | 63.40 (28.76) | 3000 (210) |
| 4"x2" | BTR7-34-400x200-* | 6.89 | 5.50 | 3.50 | 1.94 | 7.00 | 3.50 | 7.00 | 9.00 | 3.50 | 1.69 | 3.06 | 1-1/8"-7 | 1/2"-13 | 97.60 (44.27) | 3000 (210) |

BTRM7-34 - Reducing Branch Block Tee Flat Face with Threaded Holes Complete with #4 BSP Port (Plugged), Metric

| Size (run x branch) | Block Tee Part Number | Dimensions (mm) | | | | | | | | | | | Thread 1 | Thread 2 | WT lbs (kg) | Working Pressure PSI (bar) |
|---------------------------|--------------------------|-----------------|-------|------|------|-------|------|-------|-------|------|------|------|------------|------------|----------------|----------------------------------|
| | | T | C | D | D1 | E | F | G | H | K | M | N | | | | |
| 2-1/2"x2" | BTRM7-34-250x200-* | 118.1 | 101.6 | 60.5 | 49.3 | 127.0 | 63.5 | 127.0 | 165.1 | 63.5 | 42.9 | 77.7 | M20 x 2.50 | M12 x 1.75 | 35.60 (16.15) | 3000 (210) |
| 3"x2" | BTRM7-34-300x200-* | 145.0 | 127.0 | 73.2 | 49.3 | 152.4 | 76.2 | 152.4 | 203.2 | 76.2 | 42.9 | 77.7 | M24 x 3.00 | M12 x 1.75 | 63.40 (28.76) | 3000 (210) |
| 4"x2" | BTRM7-34-400x200-* | 175.0 | 139.7 | 88.9 | 49.3 | 177.8 | 88.9 | 177.8 | 228.6 | 88.9 | 42.9 | 77.7 | M30 x 3.50 | M12 x 1.75 | 97.60 (44.27) | 3000 (210) |

Materials:

Standard, No Designation = All Carbon Steel, Clear Zinc Plated (Cr6 Free).
SS = Stainless Steel, Type 316.

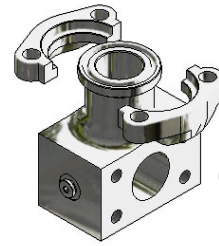
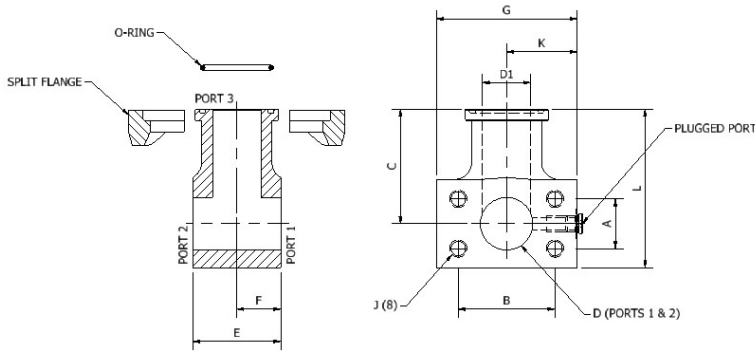
Ordering Example: BTR7-34-250x200-SS

* Insert Material

SAE 3000 PSI Split Flange Branch Tee

Complete Assembly

SAE J518 Code 61 (ISO 6162-1) Flange Style



Complete Flange Set Includes:

- One (1) Split Flange Tee
- One (1) Sets (2 Halves) Split Flanges
- One (1) O-Ring
- One (1) Component Bolt Kit

A/SFBT34 - Split Flange Branch Tee Assembly Flat Face with Threaded Holes

Complete with Buna O-Rings and #4 SAE Port (Plugged), NPS

| Size | Complete Assembly Part Number | Dimensions (in) | | | | | | | | | | Thread UNC-2B | O-Ring (Buna) Part Number | Assembly WT lbs (kg) | Body Only Part Number | Body Only WT lbs (kg) | Working Pressure PSI (bar) |
|--------|-------------------------------|-----------------|------|------|------|------|------|------|------|------|------|---------------|---------------------------|----------------------|-----------------------|-----------------------|----------------------------|
| | | A | B | C | D | D1 | E | F | G | K | L | | | | | | |
| 1/2" | A/SFBT34-050-*^-^ | 0.69 | 1.50 | 2.50 | 0.50 | 0.38 | 2.00 | 1.00 | 2.50 | 1.25 | 3.50 | 5/16"-18 | OR^-2-210 | 3.37 (1.53) | SFBT34-050-*^-^ | 2.95 (1.34) | 5000 (350) |
| 3/4" | A/SFBT34-075-*^-^ | 0.88 | 1.88 | 2.75 | 0.75 | 0.63 | 2.00 | 1.00 | 3.00 | 1.50 | 3.75 | 3/8"-16 | OR^-2-214 | 3.81 (1.73) | SFBT34-075-*^-^ | 3.30 (1.50) | 5000 (350) |
| 1" | A/SFBT34-100-*^-^ | 1.03 | 2.06 | 2.75 | 0.94 | 0.88 | 2.00 | 1.00 | 3.00 | 1.50 | 3.75 | 3/8"-16 | OR^-2-219 | 4.03 (1.83) | SFBT34-100-*^-^ | 3.38 (1.53) | 5000 (350) |
| 1-1/4" | A/SFBT34-125-*^-^ | 1.19 | 2.31 | 3.13 | 1.25 | 1.13 | 2.25 | 1.13 | 3.00 | 1.50 | 4.25 | 7/16"-14 | OR^-2-222 | 4.69 (2.13) | SFBT34-125-*^-^ | 3.80 (1.72) | 4000 (280) |
| 1-1/2" | A/SFBT34-150-*^-^ | 1.41 | 2.75 | 3.25 | 1.50 | 1.38 | 2.50 | 1.25 | 4.00 | 2.00 | 4.50 | 1/2"-13 | OR^-2-225 | 7.63 (3.46) | SFBT34-150-*^-^ | 6.19 (2.81) | 4000 (280) |
| 2" | A/SFBT34-200-*^-^ | 1.69 | 3.06 | 3.50 | 1.94 | 1.88 | 3.00 | 1.50 | 4.00 | 2.00 | 5.00 | 1/2"-13 | OR^-2-228 | 9.46 (4.29) | SFBT34-200-*^-^ | 7.90 (3.58) | 4000 (280) |
| 2-1/2" | A/SFBT34-250-*^-^ | 2.00 | 3.50 | 4.00 | 2.38 | 2.38 | 3.50 | 1.75 | 4.50 | 2.25 | 5.75 | 1/2"-13 | OR^-2-232 | 13.43 (6.09) | SFBT34-250-*^-^ | 11.30 (5.13) | 3000 (210) |
| 3" | A/SFBT34-300-*^-^ | 2.44 | 4.19 | 4.50 | 2.88 | 2.88 | 4.00 | 2.00 | 5.50 | 2.75 | 6.50 | 5/8"-11 | OR^-2-237 | 21.35 (9.68) | SFBT34-300-*^-^ | 17.70 (8.03) | 3000 (210) |

A/SFBTM34 - Split Flange Branch Tee Assembly Flat Face with Threaded Holes

Complete With Buna O-Ring and G1/8 Port (Plugged), Metric

| Size | Complete Assembly Part Number | Dimensions (mm) | | | | | | | | | | Thread | O-Ring (Buna) Part Number | Assembly WT lbs (kg) | Body Only Part Number | Body Only WT lbs (kg) | Working Pressure PSI (bar) |
|--------|-------------------------------|-----------------|-------|-------|------|------|-------|------|-------|------|-------|------------|---------------------------|----------------------|-----------------------|-----------------------|----------------------------|
| | | A | B | C | D | D1 | E | F | G | K | L | | | | | | |
| 1/2" | A/SFBTM34-050-*^-^ | 17.5 | 38.1 | 63.5 | 12.7 | 9.7 | 50.8 | 25.4 | 63.5 | 31.8 | 88.9 | M8 x 1.25 | OR^-2-210 | 3.37 (1.53) | SFBTM34-050-*^-^ | 2.95 (1.34) | 5000 (350) |
| 3/4" | A/SFBTM34-075-*^-^ | 22.4 | 47.8 | 69.9 | 19.1 | 16.0 | 50.8 | 25.4 | 76.2 | 38.1 | 95.3 | M10 x 1.50 | OR^-2-214 | 3.81 (1.73) | SFBTM34-075-*^-^ | 3.30 (1.50) | 5000 (350) |
| 1" | A/SFBTM34-100-*^-^ | 26.2 | 52.3 | 69.9 | 23.9 | 22.4 | 50.8 | 25.4 | 76.2 | 38.1 | 95.3 | M10 x 1.50 | OR^-2-219 | 4.03 (1.83) | SFBTM34-100-*^-^ | 3.38 (1.53) | 5000 (350) |
| 1-1/4" | A/SFBTM34-125-*^-^ | 30.2 | 58.7 | 79.5 | 31.8 | 28.7 | 57.2 | 28.7 | 76.2 | 38.1 | 108.0 | M10 x 1.50 | OR^-2-222 | 4.69 (2.13) | SFBTM34-125-*^-^ | 3.80 (1.72) | 4000 (280) |
| 1-1/2" | A/SFBTM34-150-*^-^ | 35.8 | 69.9 | 82.6 | 38.1 | 35.1 | 63.5 | 31.8 | 101.6 | 50.8 | 114.3 | M12 x 1.75 | OR^-2-225 | 7.63 (3.46) | SFBTM34-150-*^-^ | 6.19 (2.81) | 4000 (280) |
| 2" | A/SFBTM34-200-*^-^ | 42.9 | 77.7 | 88.9 | 49.3 | 47.8 | 76.2 | 38.1 | 101.6 | 50.8 | 127.0 | M12 x 1.75 | OR^-2-228 | 9.46 (4.29) | SFBTM34-200-*^-^ | 7.90 (3.58) | 4000 (280) |
| 2-1/2" | A/SFBTM34-250-*^-^ | 50.8 | 88.9 | 101.6 | 60.5 | 60.5 | 88.9 | 44.5 | 114.3 | 57.2 | 146.1 | M12 x 1.75 | OR^-2-232 | 13.43 (6.09) | SFBTM34-250-*^-^ | 11.30 (5.13) | 3000 (210) |
| 3" | A/SFBTM34-300-*^-^ | 62.0 | 106.4 | 114.3 | 73.2 | 73.2 | 101.6 | 50.8 | 139.7 | 69.9 | 165.1 | M16 x 2.00 | OR^-2-237 | 21.35 (9.68) | SFBTM34-300-*^-^ | 17.70 (8.03) | 3000 (210) |

*** Materials:**

Standard, No Designation = All Carbon Steel, Clear Zinc Plated (Cr6 Free).
 SS = Stainless Steel, Type 316.

^ O-Ring Type:

Standard, No Designation = Buna Nitrile.
 V = Viton.

Ordering Example: A/SFBT34-200-SS-V

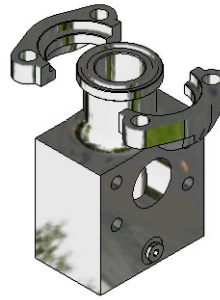
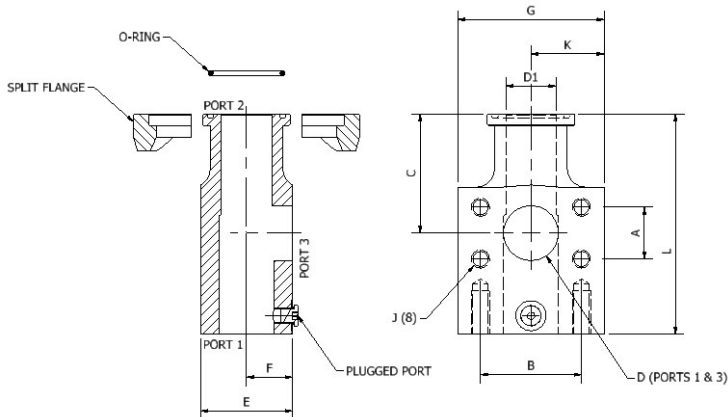
* Insert Material _____

^ Insert O-Ring Type _____

3D step models available upon request

SAE 3000 PSI Split Flange Run Tee Complete Assembly

SAE J518 Code 61 (ISO 6162-1) Flange Style



Complete Flange Set Includes:

- One (1) Split Flange Tee
- One (1) Sets (2 Halves) Split Flanges
- One (1) O-Ring
- One (1) Component Bolt Kit

A/SFRT34 - Split Flange Run Tee Assembly Flat Face with Threaded Holes Complete with Buna O-Rings and #4 SAE Port (Plugged), NPS

| Size | Complete Assembly Part Number | Dimensions (in) | | | | | | | | | | Thread UNC-2B | O-Ring (Buna) Part Number | Assembly WT lbs (kg) | Body Only Part Number | Body Only WT lbs (kg) | Working Pressure PSI (bar) |
|--------|-------------------------------|-----------------|------|------|------|------|------|------|------|------|------|---------------|---------------------------|----------------------|-----------------------|-----------------------|----------------------------|
| | | A | B | C | D | D1 | E | F | G | K | L | | | | | | |
| 1/2" | A/SFRT34-050-*^-^ | 0.69 | 1.50 | 2.12 | 0.50 | 0.38 | 2.00 | 1.00 | 2.50 | 1.25 | 4.00 | 5/16"-18 | OR^-2-210 | 3.97 (1.80) | SFRT34-050-*^-^ | 3.55 (1.61) | 5000 (350) |
| 3/4" | A/SFRT34-075-*^-^ | 0.88 | 1.88 | 2.75 | 0.75 | 0.63 | 2.00 | 1.00 | 3.00 | 1.50 | 5.00 | 3/8"-16 | OR^-2-214 | 5.81 (2.64) | SFRT34-075-*^-^ | 5.30 (2.41) | 5000 (350) |
| 1" | A/SFRT34-100-*^-^ | 1.03 | 2.06 | 2.75 | 0.94 | 0.88 | 2.00 | 1.00 | 3.00 | 1.50 | 5.00 | 3/8"-16 | OR^-2-219 | 5.85 (2.65) | SFRT34-100-*^-^ | 5.20 (2.36) | 5000 (350) |
| 1-1/4" | A/SFRT34-125-*^-^ | 1.19 | 2.31 | 3.25 | 1.25 | 1.13 | 2.25 | 1.13 | 3.00 | 1.50 | 6.00 | 7/16"-14 | OR^-2-222 | 7.06 (3.20) | SFRT34-125-*^-^ | 6.17 (2.80) | 4000 (280) |
| 1-1/2" | A/SFRT34-150-*^-^ | 1.41 | 2.75 | 3.25 | 1.50 | 1.38 | 2.50 | 1.25 | 4.00 | 2.00 | 6.00 | 1/2"-13 | OR^-2-225 | 11.04 (5.01) | SFRT34-150-*^-^ | 9.60 (4.35) | 4000 (280) |
| 2" | A/SFRT34-200-*^-^ | 1.69 | 3.06 | 3.50 | 1.94 | 1.88 | 3.00 | 1.50 | 4.00 | 2.00 | 6.50 | 1/2"-13 | OR^-2-228 | 13.36 (6.06) | SFRT34-200-*^-^ | 11.80 (5.35) | 4000 (280) |
| 2-1/2" | A/SFRT34-250-*^-^ | 2.00 | 3.50 | 4.00 | 2.38 | 2.38 | 3.50 | 1.75 | 4.50 | 2.25 | 7.25 | 1/2"-13 | OR^-2-232 | 18.33 (8.31) | SFRT34-250-*^-^ | 16.20 (7.35) | 3000 (210) |
| 3" | A/SFRT34-300-*^-^ | 2.44 | 4.19 | 4.75 | 2.88 | 2.88 | 4.00 | 2.00 | 5.50 | 2.75 | 8.50 | 5/8"-11 | OR^-2-237 | 30.66 (13.91) | SFRT34-300-*^-^ | 27.01 (12.25) | 3000 (210) |

A/SFRM34 - Split Flange Run Tee Assembly Flat Face with Threaded Holes Complete with Buna O-Ring and G1/8 Port (Plugged), Metric

| Size | Complete Assembly Part Number | Dimensions (mm) | | | | | | | | | | Thread | O-Ring (Buna) Part Number | Assembly WT lbs (kg) | Body Only Part Number | Body Only WT lbs (kg) | Working Pressure PSI (bar) |
|--------|-------------------------------|-----------------|-------|-------|------|------|-------|------|-------|------|-------|------------|---------------------------|----------------------|-----------------------|-----------------------|----------------------------|
| | | A | B | C | D | D1 | E | F | G | K | L | | | | | | |
| 1/2" | A/SFRM34-050-*^-^ | 17.5 | 38.1 | 53.8 | 12.7 | 9.7 | 50.8 | 25.4 | 63.5 | 31.8 | 101.6 | M8 x 1.25 | OR^-2-210 | 3.97 (1.80) | SFRM34-050-*^-^ | 3.55 (1.61) | 5000 (350) |
| 3/4" | A/SFRM34-075-*^-^ | 22.4 | 47.8 | 69.9 | 19.1 | 16.0 | 50.8 | 25.4 | 76.2 | 38.1 | 127.0 | M10 x 1.50 | OR^-2-214 | 5.81 (2.64) | SFRM34-075-*^-^ | 5.30 (2.41) | 5000 (350) |
| 1" | A/SFRM34-100-*^-^ | 26.2 | 52.3 | 69.9 | 23.9 | 22.4 | 50.8 | 25.4 | 76.2 | 38.1 | 127.0 | M10 x 1.50 | OR^-2-219 | 5.85 (2.65) | SFRM34-100-*^-^ | 5.20 (2.36) | 5000 (350) |
| 1-1/4" | A/SFRM34-125-*^-^ | 30.2 | 58.7 | 82.6 | 31.8 | 28.7 | 57.2 | 28.7 | 76.2 | 38.1 | 152.4 | M10 x 1.50 | OR^-2-222 | 7.06 (3.20) | SFRM34-125-*^-^ | 6.17 (2.80) | 4000 (280) |
| 1-1/2" | A/SFRM34-150-*^-^ | 35.8 | 69.9 | 82.6 | 38.1 | 35.1 | 63.5 | 31.8 | 101.6 | 50.8 | 152.4 | M12 x 1.75 | OR^-2-225 | 11.04 (5.01) | SFRM34-150-*^-^ | 9.60 (4.35) | 4000 (280) |
| 2" | A/SFRM34-200-*^-^ | 42.9 | 77.7 | 88.9 | 49.3 | 47.8 | 76.2 | 38.1 | 101.6 | 50.8 | 165.1 | M12 x 1.75 | OR^-2-228 | 13.36 (6.06) | SFRM34-200-*^-^ | 11.80 (5.35) | 4000 (280) |
| 2-1/2" | A/SFRM34-250-*^-^ | 50.8 | 88.9 | 101.6 | 60.5 | 60.5 | 88.9 | 44.5 | 114.3 | 57.2 | 184.2 | M12 x 1.75 | OR^-2-232 | 18.33 (8.31) | SFRM34-250-*^-^ | 16.20 (7.35) | 3000 (210) |
| 3" | A/SFRM34-300-*^-^ | 62.0 | 106.4 | 120.7 | 73.2 | 73.2 | 101.6 | 50.8 | 139.7 | 69.9 | 215.9 | M16 x 2.00 | OR^-2-237 | 30.66 (13.91) | SFRM34-300-*^-^ | 27.01 (12.25) | 3000 (210) |

*** Materials:**

Standard, No Designation = All Carbon Steel, Clear Zinc Plated (Cr6 Free).

SS = Stainless Steel, Type 316.

^ O-Ring Type:

Standard, No Designation = Buna Nitrile.

V = Viton.

Ordering Example: A/SFRT34-200-SS-V

* Insert Material

^ Insert O-Ring Type

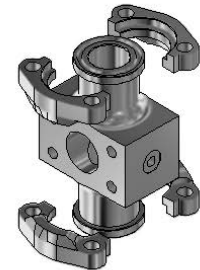
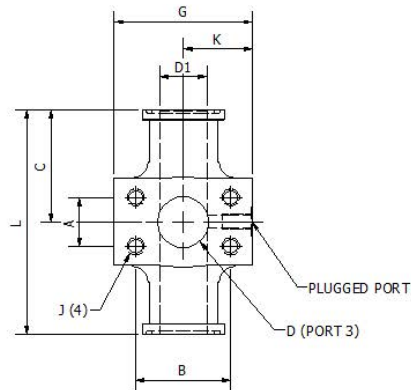
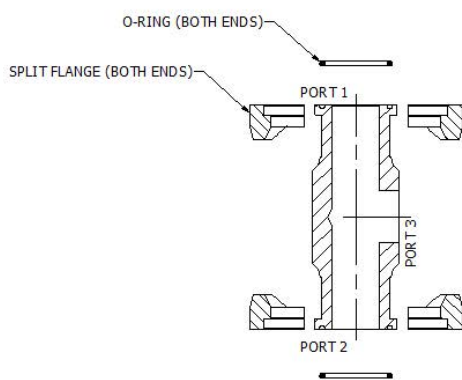
SAE 3000 PSI Split Flange Tee

Complete Assembly

SAE J518 Code 61 (ISO 6162-1) Flange Style

Complete Flange Set Includes:

- One (1) Split Flange Tee
- Two (2) Sets (4 Halves) Split Flanges
- Two (2) O-Rings
- Two (2) Component Bolt Kits



A/SFT34 - Split Flange Tee Assembly Flat Face with Threaded Holes Complete with Buna O-Rings and #4 SAE Port (Plugged), NPS

| Size | Complete Assembly Part Number | Dimensions (in) | | | | | | | | | | Thread UNC-2B | O-Ring (Buna) Part Number | Assembly WT lbs (kg) | Body Only Part Number | Body Only WT lbs (kg) | Working Pressure PSI (bar) |
|--------|-------------------------------|-----------------|------|------|------|------|------|------|------|------|------|---------------|---------------------------|----------------------|-----------------------|-----------------------|----------------------------|
| | | A | B | C | D | D1 | E | F | G | K | L | | | | | | |
| 1/2" | A/SFT34-050-*-^ | 0.69 | 1.50 | 2.50 | 0.50 | 0.38 | 2.00 | 1.00 | 2.50 | 1.25 | 5.00 | 5/16"-18 | OR^-2-210 | 3.51 (1.59) | SFT34-050-*-^ | 2.67 (1.21) | 5000 (350) |
| 3/4" | A/SFT34-075-*-^ | 0.88 | 1.88 | 2.75 | 0.75 | 0.63 | 2.00 | 1.00 | 3.00 | 1.50 | 5.50 | 3/8"-16 | OR^-2-214 | 4.82 (2.19) | SFT34-075-*-^ | 3.80 (1.72) | 5000 (350) |
| 1" | A/SFT34-100-*-^ | 1.03 | 2.06 | 2.75 | 0.94 | 0.88 | 2.00 | 1.00 | 3.00 | 1.50 | 5.50 | 3/8"-16 | OR^-2-219 | 5.40 (2.45) | SFT34-100-*-^ | 4.10 (1.86) | 5000 (350) |
| 1-1/4" | A/SFT34-125-*-^ | 1.19 | 2.31 | 3.13 | 1.25 | 1.13 | 2.25 | 1.13 | 3.00 | 1.50 | 6.25 | 7/16"-14 | OR^-2-222 | 6.63 (3.01) | SFT34-125-*-^ | 4.85 (2.20) | 4000 (280) |
| 1-1/2" | A/SFT34-150-*-^ | 1.41 | 2.75 | 3.25 | 1.50 | 1.38 | 2.50 | 1.25 | 4.00 | 2.00 | 6.50 | 1/2"-13 | OR^-2-225 | 10.38 (4.71) | SFT34-150-*-^ | 7.50 (3.41) | 4000 (280) |
| 2" | A/SFT34-200-*-^ | 1.69 | 3.06 | 3.50 | 1.94 | 1.88 | 3.00 | 1.50 | 4.00 | 2.00 | 7.00 | 1/2"-13 | OR^-2-228 | 12.72 (5.77) | SFT34-200-*-^ | 9.60 (4.35) | 4000 (280) |
| 2-1/2" | A/SFT34-250-*-^ | 2.00 | 3.50 | 4.00 | 2.38 | 2.38 | 3.50 | 1.75 | 4.50 | 2.25 | 8.00 | 1/2"-13 | OR^-2-232 | 19.58 (8.88) | SFT34-250-*-^ | 15.32 (6.95) | 3000 (210) |
| 3" | A/SFT34-300-*-^ | 2.44 | 4.19 | 4.50 | 2.88 | 2.88 | 4.00 | 2.00 | 5.50 | 2.75 | 9.00 | 5/8"-11 | OR^-2-237 | 28.40 (12.88) | SFT34-300-*-^ | 21.10 (9.57) | 3000 (210) |

A/SFTM34 - Split Flange Tee Assembly Flat Face with Threaded Holes Complete with Buna O-Rings and G1/8 Port (Plugged), Metric

| Size | Complete Assembly Part Number | Dimensions (mm) | | | | | | | | | | Thread | O-Ring (Buna) Part Number | Assembly WT lbs (kg) | Body Only Part Number | Body Only WT lbs (kg) | Working Pressure PSI (bar) |
|--------|-------------------------------|-----------------|-------|-------|------|------|-------|------|-------|------|-------|------------|---------------------------|----------------------|-----------------------|-----------------------|----------------------------|
| | | A | B | C | D | D1 | E | F | G | K | L | | | | | | |
| 1/2" | A/SFTM34-050-*-^ | 17.5 | 38.1 | 63.5 | 12.7 | 9.7 | 50.8 | 25.4 | 63.5 | 31.8 | 127.0 | M8 x 1.25 | OR^-2-210 | 3.51 (1.59) | SFTM34-050-*-^ | 2.67 (1.21) | 5000 (350) |
| 3/4" | A/SFTM34-075-*-^ | 22.4 | 47.8 | 69.9 | 19.1 | 16.0 | 50.8 | 25.4 | 76.2 | 38.1 | 139.7 | M10 x 1.50 | OR^-2-214 | 4.82 (2.19) | SFTM34-075-*-^ | 3.80 (1.72) | 5000 (350) |
| 1" | A/SFTM34-100-*-^ | 26.2 | 52.3 | 69.9 | 23.9 | 22.4 | 50.8 | 25.4 | 76.2 | 38.1 | 139.7 | M10 x 1.50 | OR^-2-219 | 5.40 (2.45) | SFTM34-100-*-^ | 4.10 (1.86) | 5000 (350) |
| 1-1/4" | A/SFTM34-125-*-^ | 30.2 | 58.7 | 79.5 | 31.8 | 28.7 | 57.2 | 28.7 | 76.2 | 38.1 | 158.8 | M10 x 1.50 | OR^-2-222 | 6.63 (3.01) | SFTM34-125-*-^ | 4.85 (2.20) | 4000 (280) |
| 1-1/2" | A/SFTM34-150-*-^ | 35.8 | 69.9 | 82.6 | 38.1 | 34.9 | 63.5 | 31.8 | 101.6 | 50.8 | 165.1 | M12 x 1.75 | OR^-2-225 | 10.38 (4.71) | SFTM34-150-*-^ | 7.50 (3.41) | 4000 (280) |
| 2" | A/SFTM34-200-*-^ | 42.9 | 77.7 | 88.9 | 49.3 | 47.8 | 76.2 | 38.1 | 101.6 | 50.8 | 177.8 | M12 x 1.75 | OR^-2-228 | 12.72 (5.77) | SFTM34-200-*-^ | 9.60 (4.35) | 4000 (280) |
| 2-1/2" | A/SFTM34-250-*-^ | 50.8 | 88.9 | 101.6 | 60.5 | 60.5 | 88.9 | 44.5 | 114.3 | 57.2 | 203.2 | M12 x 1.75 | OR^-2-232 | 19.58 (8.88) | SFTM34-250-*-^ | 15.32 (6.95) | 3000 (210) |
| 3" | A/SFTM34-300-*-^ | 62.0 | 106.4 | 114.3 | 73.2 | 73.2 | 101.6 | 50.8 | 139.7 | 69.9 | 228.6 | M16 x 2.00 | OR^-2-237 | 28.40 (12.88) | SFTM34-300-*-^ | 21.10 (9.57) | 3000 (210) |

*** Materials:**

Standard, No Designation = All Carbon Steel, Clear Zinc Plated (Cr6 Free).

SS = Stainless Steel, Type 316.

^ O-Ring Type:

Standard, No Designation = Buna Nitrile.

V = Viton.

Ordering Example: A/SFT34-200-SS-V

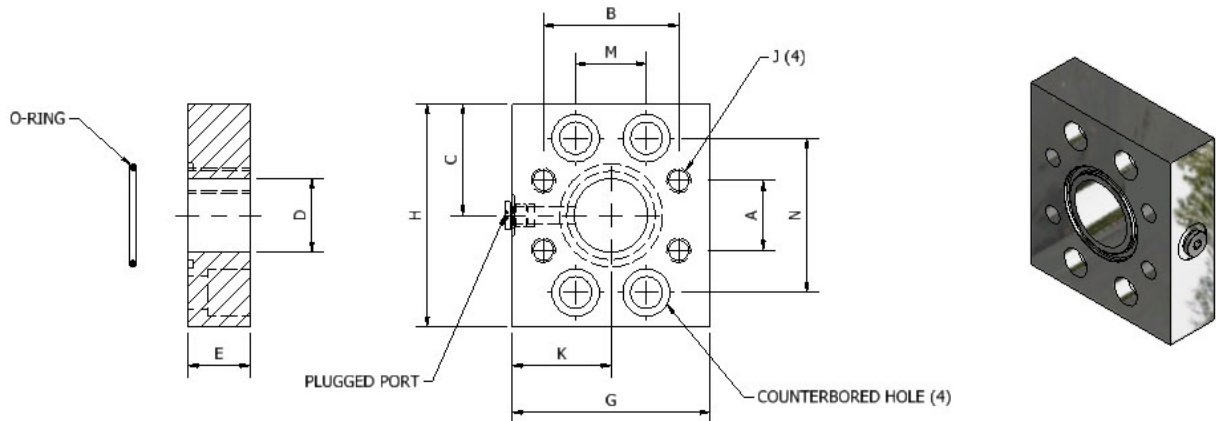
* Insert Material _____

^ Insert O-Ring Type _____

3D step models available upon request

SAE 3000 PSI Transition Plate

SAE J518 Code 62/Code 61 (ISO 6162-2/6162-1) Flange Manifold Mount Style



TPO6-34 - Transition Plate O-Ring Face with Counterbored Holes Complete with Buna O-Ring and #4 SAE Port (Plugged), NPS

| Size | Transition Plate Part Number | Dimensions (in) | | | | | | | | | | C'T Bore Bolt | Thread 1 UNC-2B | O-Ring (Buna) Part Number | WT lbs (kg) | Working Pressure PSI (bar) |
|--------|------------------------------|-----------------|------|------|------|------|------|------|------|------|------|---------------|-----------------|---------------------------|-------------|----------------------------|
| | | A | B | C | D | E | G | H | K | M | N | | | | | |
| 1/2" | TP06-34-050-*~^ | 0.69 | 1.50 | 1.25 | 0.50 | 1.00 | 2.50 | 2.50 | 1.50 | 0.72 | 1.60 | 5/16" | 5/16"-18 | OR^~2-210 | 1.40 (0.64) | 5000 (350) |
| 3/4" | TP06-34-075-*~^ | 0.88 | 1.88 | 1.50 | 0.75 | 1.00 | 3.00 | 3.00 | 1.75 | 0.94 | 2.00 | 3/8" | 3/8"-16 | OR^~2-214 | 2.00 (0.91) | 5000 (350) |
| 1" | TP06-34-100-*~^ | 1.03 | 2.06 | 1.50 | 0.94 | 1.00 | 3.00 | 3.00 | 1.50 | 1.10 | 2.24 | 7/16" | 3/8"-16 | OR^~2-219 | 1.90 (0.86) | 5000 (350) |
| 1-1/4" | TP06-34-125-*~^ | 1.19 | 2.31 | 2.00 | 1.25 | 1.25 | 3.00 | 4.00 | 1.50 | 1.24 | 2.62 | 1/2" | 7/16"-14 | OR^~2-222 | 3.59 (1.63) | 4000 (275) |
| 1-1/2" | TP06-34-150-*~^ | 1.41 | 2.75 | 2.25 | 1.50 | 1.25 | 4.00 | 4.50 | 2.00 | 1.44 | 3.13 | 31/32" | 1/2"-13 | OR^~2-225 | 4.56 (2.07) | 3000 (210) |
| 2" | TP06-34-200-*~^ | 1.69 | 3.06 | 2.75 | 1.94 | 1.75 | 4.00 | 5.50 | 2.00 | 1.75 | 3.81 | 3/4" | 1/2"-13 | OR^~2-228 | 7.40 (3.36) | 3000 (210) |

TPOM6-34 - Transition Plate O-Ring Face with Counterbored Hole Complete with Buna O-Ring and G1/8 Port (Plugged), Metric

| Size | Transition Plate Part Number | Dimensions (mm) | | | | | | | | | | C'T Bore Bolt | Thread 1 | O-Ring (Buna) Part Number | WT lbs (kg) | Working Pressure PSI (bar) |
|--------|------------------------------|-----------------|------|------|------|------|-------|-------|------|------|------|---------------|------------|---------------------------|-------------|----------------------------|
| | | A | B | C | D | E | G | H | K | M | N | | | | | |
| 1/2" | TPOM6-34-050-*~^ | 17.5 | 38.1 | 31.8 | 12.7 | 25.4 | 63.5 | 63.5 | 38.1 | 18.3 | 40.6 | M8 | M8 x 1.25 | OR^~2-210 | 1.40 (0.64) | 5000 (350) |
| 3/4" | TPOM6-34-075-*~^ | 22.4 | 47.8 | 38.1 | 19.1 | 25.4 | 76.2 | 76.2 | 44.5 | 23.9 | 50.8 | M10 | M10 x 1.50 | OR^~2-214 | 2.00 (0.91) | 5000 (350) |
| 1" | TPOM6-34-100-*~^ | 26.2 | 52.3 | 38.1 | 23.9 | 25.4 | 76.2 | 76.2 | 38.1 | 27.9 | 56.9 | M12 | M10 x 1.50 | OR^~2-219 | 1.90 (0.86) | 5000 (350) |
| 1-1/4" | TPOM6-34-125-*~^ | 30.2 | 58.7 | 50.8 | 31.8 | 31.8 | 76.2 | 101.6 | 38.1 | 31.5 | 66.5 | M12 | M10 x 1.50 | OR^~2-222 | 3.59 (1.63) | 4000 (275) |
| 1-1/2" | TPOM6-34-150-*~^ | 35.8 | 69.9 | 57.2 | 38.1 | 31.8 | 101.6 | 114.3 | 50.8 | 36.6 | 79.5 | M16 | M12 x 1.75 | OR^~2-225 | 4.56 (2.07) | 3000 (210) |
| 2" | TPOM6-34-200-*~^ | 42.9 | 77.7 | 69.9 | 49.3 | 44.5 | 101.6 | 139.7 | 50.8 | 44.5 | 96.8 | M20 | M12 x 1.75 | OR^~2-228 | 7.40 (3.36) | 3000 (210) |

*** Materials:**

Standard, No Designation = All Carbon Steel, Clear Zinc Plated (Cr6 Free).
 SS = Stainless Steel, Type 316.

^ O-Ring Type:

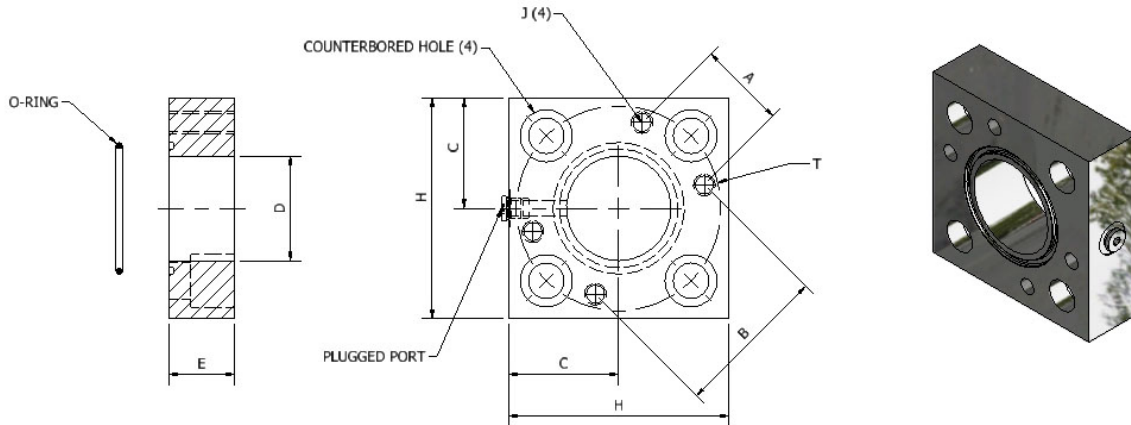
Standard, No Designation = Buna Nitrile.
 V = Viton.

Ordering Example: TP06-34-200-SS-V

* Insert Material _____
 ^ Insert O-Ring Type _____

SAE 3000 PSI Transition Plate

ISO 6164/SAE Code 61 (ISO6164/6162-1) Flange Manifold Mount Style



TPO7-34 - Transition Plate O-Ring Face with Counterbored Holes Complete with Buna O-Ring and #4 SAE Port (Plugged), NPS

| Size | Transition Plate Part Number | Dimensions (in) | | | | | | | C'T Bore Bolt | Thread UNC-2B | O-Ring (Buna) Part Number | WT lbs (kg) | Working Pressure PSI (bar) |
|--------|------------------------------|-----------------|------|------|------|------|------|------|---------------|---------------|---------------------------|--------------|----------------------------|
| | | A | B | C | D | E | H | T | | | | | |
| 2-1/2" | TP07-34-250-*^-^ | 2.00 | 3.50 | 2.50 | 2.38 | 1.50 | 5.00 | 4.65 | 3/4" | 1/2"-13 | OR^-2-232 | 5.50 (2.49) | 2500 (175) |
| 3" | TP07-34-300-*^-^ | 2.44 | 4.19 | 3.00 | 2.88 | 1.75 | 6.00 | 5.71 | 1" | 5/8"-11 | OR^-2-237 | 10.85 (4.92) | 2000 (140) |

TPOM7-34 - Transition Plate O-Ring Face with Counterbored Holes Complete with Buna O-Ring and G1/8 Port (Plugged), Metric

| Size | Transition Plate Part Number | Dimensions (mm) | | | | | | | C'T Bore Bolt | Thread | O-Ring (Buna) Part Number | WT lbs (kg) | Working Pressure PSI (bar) |
|--------|------------------------------|-----------------|-------|------|------|------|-------|-------|---------------|------------|---------------------------|--------------|----------------------------|
| | | A | B | C | D | E | H | T | | | | | |
| 2-1/2" | TPOM7-34-250-*^-^ | 50.8 | 88.9 | 63.5 | 60.5 | 31.8 | 127.0 | 118.1 | M20 | M12 x 1.75 | OR^-2-232 | 5.50 (2.49) | 2500 (175) |
| 3" | TPOM7-34-300-*^-^ | 62.0 | 106.4 | 76.2 | 73.2 | 44.5 | 152.4 | 145.0 | M24 | M16 x 2.00 | OR^-2-237 | 10.85 (4.92) | 2000 (140) |

* Materials:

Standard, No Designation = All Carbon Steel, Clear Zinc Plated (Cr6 Free).
SS = Stainless Steel, Type 316.

^ O-Ring Type:

Standard, No Designation = Buna Nitrile.
V = Viton.

Ordering Example: TP07-34-250-SS-V

* Insert Material _____
^ Insert O-Ring Type _____

3D step models available upon request

TUBE-MAC.com

Introduction

Technical Data

Pipe Selection Guide

16 bar, 90° Flare

ANSI 150#, 300# Flare

SAE 1000, 70 bar

SAE 3000, 210 bar

SAE 6000, 420 bar

SAE 10000, 700 bar

ISO 6164, 400 bar

Clamps

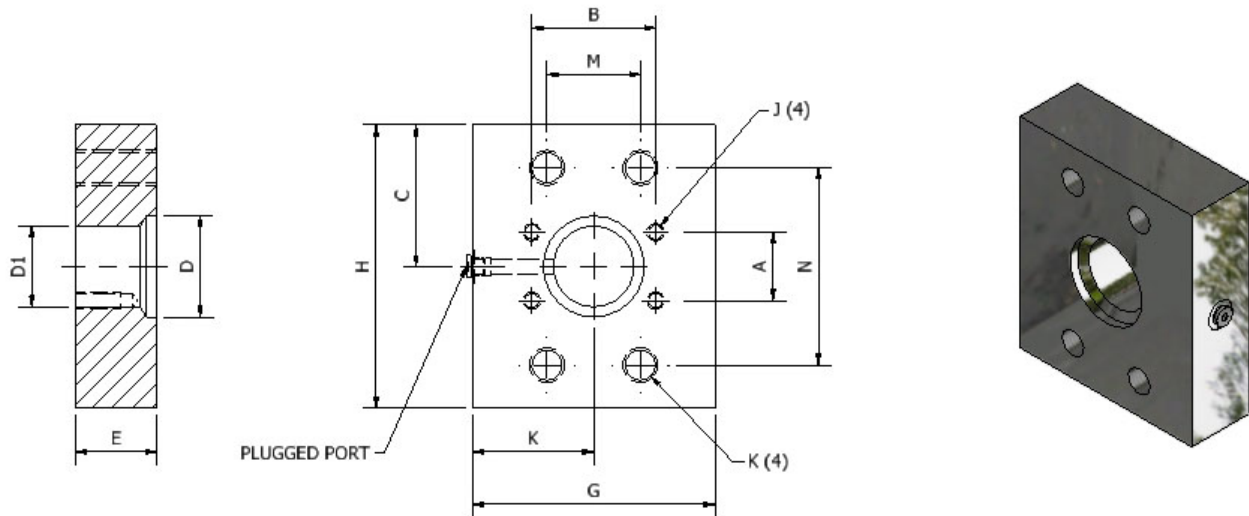
Valves, Ball and Check

Machines

G67

SAE 3000 PSI Transition Plate Reducer

SAE J518 Code 62/Code 61 (ISO 6162-2/6162-1) Flange Union Style



TPR6-34 - Transition Plate Reducer Flat Face with Threaded Holes Complete with #4 SAE Port (Plugged), NPS

| Size (SAE Code 62 x SAE Code 61) | Reducer Part Number | Dimensions (in) | | | | | | | | | | | Thread 1 UNC-2B | Thread 2 UNC-2B | WT lbs (kg) | Working Pressure PSI (bar) |
|--|------------------------|-----------------|------|------|------|------|------|------|------|------|------|------|--------------------|--------------------|----------------|----------------------------------|
| | | A | B | C | D | D1 | E | G | H | K | M | N | | | | |
| 3/4" x 1/2" | TPR6-34-075x050-* | 0.69 | 1.50 | 1.25 | 0.75 | 0.50 | 1.00 | 2.50 | 3.00 | 1.25 | 0.94 | 2.00 | 3/8"-16 | 5/16"-18 | 1.87 (0.85) | 5000 (350) |
| 1" x 1/2" | TPR6-34-100x050-* | 0.69 | 1.50 | 1.50 | 0.94 | 0.50 | 1.50 | 3.00 | 3.00 | 1.50 | 1.09 | 2.25 | 7/16"-14 | 5/16"-18 | 3.42 (1.55) | 5000 (350) |
| 1" x 3/4" | TPR6-34-100x075-* | 0.88 | 1.88 | 1.50 | 0.94 | 0.75 | 1.25 | 3.00 | 3.00 | 1.50 | 1.09 | 2.25 | 7/16"-14 | 3/8"-16 | 2.70 (1.22) | 5000 (350) |
| 1-1/4" x 3/4" | TPR6-34-125x075-* | 0.88 | 1.88 | 1.50 | 1.25 | 0.75 | 1.50 | 3.00 | 3.50 | 1.50 | 1.25 | 2.62 | 1/2"-13 | 3/8"-16 | 3.80 (1.72) | 5000 (350) |
| 1-1/4" x 1" | TPR6-34-125x100-* | 1.03 | 2.06 | 1.50 | 1.25 | 0.94 | 1.25 | 3.00 | 3.50 | 1.50 | 1.25 | 2.62 | 1/2"-13 | 3/8"-16 | 3.00 (1.36) | 5000 (350) |
| 1-1/2" x 1" | TPR6-34-150x100-* | 1.03 | 2.06 | 1.50 | 1.50 | 0.94 | 1.50 | 3.00 | 4.00 | 1.50 | 1.44 | 3.13 | 5/8"-11 | 3/8"-16 | 4.10 (1.86) | 5000 (350) |
| 1-1/2" x 1-1/4" | TPR6-34-150x125-* | 1.19 | 2.31 | 2.00 | 1.50 | 1.25 | 1.50 | 4.00 | 4.00 | 2.00 | 1.44 | 3.13 | 5/8"-11 | 7/16"-14 | 55.50 (2.49) | 4000 (280) |
| 2" x 1-1/4" | TPR6-34-200x125-* | 1.19 | 2.31 | 2.00 | 1.94 | 1.25 | 1.75 | 4.00 | 5.00 | 2.00 | 1.76 | 3.82 | 3/4"-10 | 7/16"-14 | 8.27 (3.75) | 4000 (280) |
| 2" x 1-1/2" | TPR6-34-200x150-* | 1.41 | 2.75 | 2.50 | 1.94 | 1.50 | 1.50 | 5.00 | 5.00 | 2.50 | 1.75 | 3.81 | 3/4"-10 | 1/2"-13 | 8.93 (4.05) | 4000 (280) |

TPRM6-34 - Transition Plate Reducer Flat Face with Threaded Holes Complete with G1/8 Port (Plugged), Metric

| Size (ISO 6162-2 x ISO 6162-1) | Reducer Part Number | Dimensions (mm) | | | | | | | | | | | Thread 1 | Thread 2 | WT lbs (kg) | Working Pressure PSI (bar) |
|--------------------------------------|------------------------|-----------------|------|------|------|------|------|-------|-------|------|------|------|------------|------------|----------------|----------------------------------|
| | | A | B | C | D | D1 | E | G | H | K | M | N | | | | |
| 3/4" x 1/2" | TPRM6-34-075x050-* | 17.5 | 38.1 | 31.8 | 19.1 | 12.7 | 25.4 | 63.5 | 76.2 | 31.8 | 23.9 | 50.8 | M10 x 1.50 | M8 x 1.25 | 1.87 (0.85) | 5000 (350) |
| 1" x 1/2" | TPRM6-34-100x050-* | 17.5 | 38.1 | 38.1 | 23.9 | 12.7 | 38.1 | 76.2 | 76.2 | 38.1 | 27.7 | 57.2 | M12 x 1.75 | M8 x 1.25 | 3.42 (1.55) | 5000 (350) |
| 1" x 3/4" | TPRM6-34-100x075-* | 22.4 | 47.8 | 38.1 | 23.9 | 19.1 | 31.8 | 76.2 | 76.2 | 38.1 | 27.7 | 57.2 | M12 x 1.75 | M10 x 1.50 | 2.70 (1.22) | 5000 (350) |
| 1-1/4" x 3/4" | TPRM6-34-125x075-* | 22.4 | 47.8 | 38.1 | 31.8 | 19.1 | 38.1 | 76.2 | 88.9 | 38.1 | 31.8 | 66.5 | M12 x 1.75 | M10 x 1.50 | 3.80 (1.72) | 5000 (350) |
| 1-1/4" x 1" | TPRM6-34-125x100-* | 26.2 | 52.3 | 38.1 | 31.8 | 23.9 | 31.8 | 76.2 | 88.9 | 38.1 | 31.8 | 66.5 | M12 x 1.75 | M10 x 1.50 | 3.00 (1.36) | 5000 (350) |
| 1-1/2" x 1" | TPRM6-34-150x100-* | 26.2 | 52.3 | 38.1 | 38.1 | 23.9 | 38.1 | 76.2 | 101.6 | 38.1 | 36.6 | 79.5 | M16 x 2.00 | M10 x 1.50 | 4.10 (1.86) | 5000 (350) |
| 1-1/2" x 1-1/4" | TPRM6-34-150x125-* | 30.2 | 58.7 | 50.8 | 38.1 | 31.8 | 38.1 | 101.6 | 101.6 | 50.8 | 36.6 | 79.5 | M16 x 2.00 | M10 x 1.50 | 55.50 (2.49) | 4000 (280) |
| 2" x 1-1/4" | TPRM6-34-200x125-* | 30.2 | 58.7 | 50.8 | 49.3 | 31.8 | 44.5 | 101.6 | 127.0 | 50.8 | 44.7 | 97.0 | M20 x 2.50 | M10 x 1.50 | 8.27 (3.75) | 4000 (280) |
| 2" x 1-1/2" | TPRM6-34-200x150-* | 35.8 | 69.9 | 63.5 | 49.3 | 38.1 | 38.1 | 127.0 | 127.0 | 63.5 | 44.5 | 96.8 | M20 x 2.50 | M12 x 1.75 | 8.93 (4.05) | 4000 (280) |

*** Materials:**

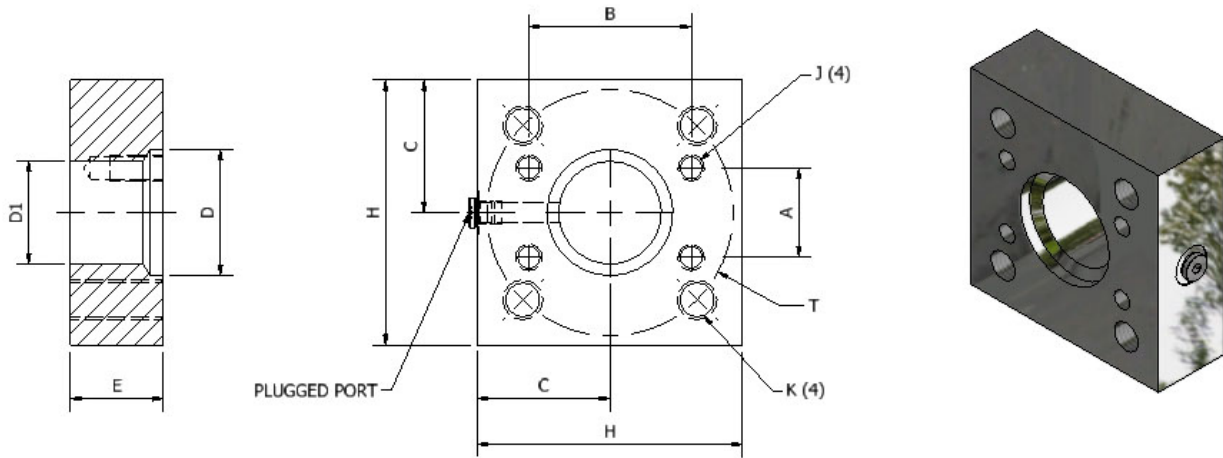
Standard, No Designation = All Carbon Steel, Clear Zinc Plated (Cr6 Free).
SS = Stainless Steel, Type 316.

Ordering Example: TPR6-34-200x125-SS

* Insert Material _____

SAE 3000 PSI Transition Plate Reducer

ISO 6164/SAE Code 61 (ISO6164/6162-1) Flange Union Style



TPR7-34 - Transition Plate Reducer Flat Face with Threaded Holes Complete With #4 SAE Port (Plugged), NPS

| Size (ISO 6164 x SAE Code 61) | Reducer Part Number | Dimensions (in) | | | | | | | | Thread 1 UNC-2B | Thread 2 UNC-2B | WT lbs (kg) | Working Pressure PSI (bar) |
|-------------------------------------|------------------------|-----------------|------|------|------|------|------|------|------|--------------------|--------------------|----------------|----------------------------------|
| | | T | A | B | C | D | D1 | E | H | | | | |
| 2-1/2" x 1-1/2" | TPR7-34-250x150-* | 4.65 | 1.41 | 2.75 | 2.50 | 2.38 | 1.50 | 1.75 | 5.00 | 3/4"-10 | 1/2"-13 | 10.40 (4.72) | 3000 (210) |
| 2-1/2" x 2" | TPR7-34-250x200-* | 4.65 | 1.69 | 3.06 | 2.50 | 2.38 | 1.94 | 1.75 | 5.00 | 3/4"-10 | 1/2"-13 | 10.30 (4.67) | 3000 (210) |
| 3" x 2" | TPR7-34-300x200-* | 5.71 | 1.69 | 3.06 | 3.00 | 2.88 | 1.94 | 2.00 | 6.00 | 1"-8 | 1/2"-13 | 16.50 (7.48) | 3000 (210) |
| 3" x 2-1/2" | TPR7-34-300x250-* | 5.71 | 2.00 | 3.50 | 3.00 | 2.88 | 2.38 | 2.00 | 6.00 | 1"-8 | 1/2"-13 | 15.50 (7.03) | 2500 (175) |
| 4" x 2-1/2" | TPR7-34-400x250-* | 6.89 | 2.00 | 3.50 | 3.50 | 3.50 | 2.38 | 2.00 | 7.00 | 1-1/8"-7 | 1/2"-13 | 22.70 (10.30) | 2500 (175) |
| 4" x 3" | TPR7-34-400x300-* | 6.89 | 2.44 | 4.19 | 3.50 | 3.50 | 2.88 | 2.00 | 7.00 | 1-1/8"-7 | 5/8"-11 | 22.20 (10.07) | 2000 (140) |

TPRM7-34 - Transition Plate Reducer Flat Face with Threaded Holes Complete with G1/8 Port (Plugged), Metric

| Size (ISO 6164 x ISO 6162-1) | Reducer Part Number | Dimensions (mm) | | | | | | | | Thread 1 | Thread 2 | WT lbs (kg) | Working Pressure PSI (bar) |
|------------------------------------|------------------------|-----------------|------|-------|------|------|------|------|-------|-------------|-------------|----------------|----------------------------------|
| | | T | A | B | C | D | D1 | E | H | | | | |
| 2-1/2" x 1-1/2" | TPRM7-34-250x150-* | 118.1 | 35.8 | 69.9 | 63.5 | 60.5 | 38.1 | 44.5 | 127.0 | M20 x 2.50 | M12 x 1.75 | 10.40 (4.72) | 3000 (210) |
| 2-1/2" x 2" | TPRM7-34-250x200-* | 118.1 | 42.9 | 77.7 | 63.5 | 60.5 | 49.3 | 44.5 | 127.0 | M20 x 2.50 | M12 x 1.75 | 10.30 (4.67) | 3000 (210) |
| 3" x 2" | TPRM7-34-300x200-* | 145.0 | 42.9 | 77.7 | 76.2 | 73.2 | 49.3 | 50.8 | 152.4 | M24 x 3.00 | M12 x 1.75 | 16.50 (7.48) | 3000 (210) |
| 3" x 2-1/2" | TPRM7-34-300x250-* | 145.0 | 50.8 | 88.9 | 76.2 | 73.2 | 60.5 | 50.8 | 152.4 | M24 x 3.00 | M12 x 1.75 | 15.50 (7.03) | 2500 (175) |
| 4" x 2-1/2" | TPRM7-34-400x250-* | 175.0 | 50.8 | 88.9 | 88.9 | 88.9 | 60.5 | 50.8 | 177.8 | M30 x 3.50 | M12 x 1.75 | 22.70 (10.30) | 2500 (175) |
| 4" x 3" | TPRM7-34-400x300-* | 175.0 | 62.0 | 106.4 | 88.9 | 88.9 | 73.2 | 50.8 | 177.8 | M30 x 3.50 | M16 x 2.00 | 22.20 (10.07) | 2000 (140) |

*** Materials:**

Standard, No Designation = All Carbon Steel, Clear Zinc Plated (Cr6 Free).
SS = Stainless Steel, Type 316.

Ordering Example: TPR7-34-250x150-SS

* Insert Material _____

3D step models available upon request

Introduction

Technical Data

Pipe Selection Guide

16 bar, 90° Flare

ANSI 150#, 300# Flare

SAE 1000, 70 bar

SAE 3000, 210 bar

SAE 6000, 420 bar

SAE 10000,

ISO 6164, 400 bar

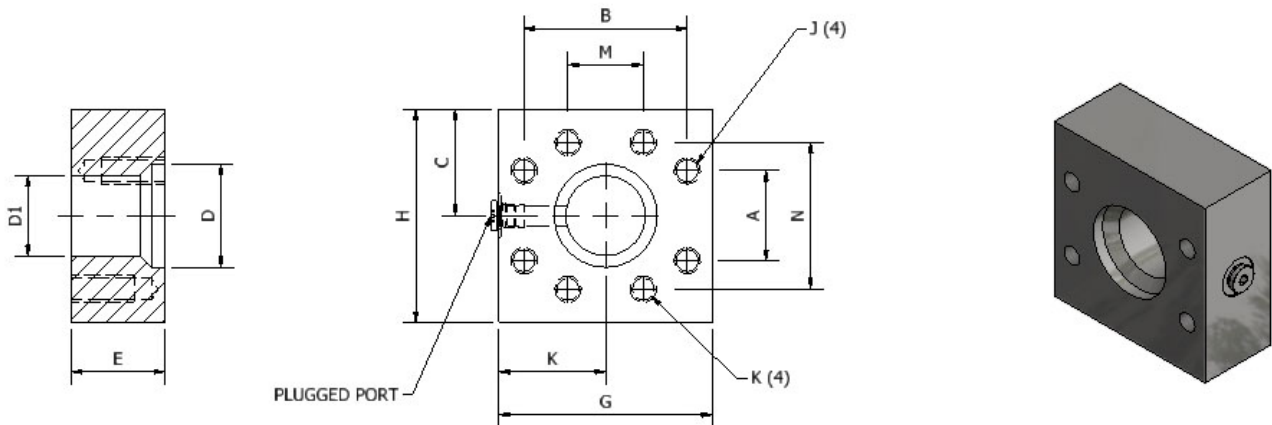
Clamps

Valves, Ball and Check

Machines

SAE 3000 PSI Transition Plate Reducer - NPS

SAE J518 Code 61 (ISO 6162-1) Flange Style



TPR34 - Transition Plate Reducer Flat Face with Threaded Holes Complete with #4 SAE Port (Plugged), NPS

| Size | Reducer Part Number | Dimensions (in) | | | | | | | | | | | Thread 1 UNC-2B | Thread 2 UNC-2B | WT lbs (kg) | Working Pressure PSI (bar) |
|-----------------|---------------------|-----------------|------|------|------|------|------|------|------|------|------|------|--------------------|--------------------|----------------|----------------------------------|
| | | A | B | C | D | D1 | E | G | H | K | M | N | | | | |
| 3/4" x 1/2" | TPR34-075x050-* | 0.69 | 1.50 | 1.69 | 0.75 | 0.50 | 1.00 | 3.00 | 3.00 | 1.50 | 0.88 | 1.88 | 3/8"-16 | 5/16"-18 | 2.50 (1.59) | 5000 (350) |
| 1" x 1/2" | TPR34-100x050-* | 0.69 | 1.50 | 1.50 | 0.94 | 0.50 | 1.50 | 3.00 | 3.00 | 1.50 | 1.03 | 2.06 | 3/8"-16 | 5/16"-18 | 3.44 (1.56) | 5000 (350) |
| 1" x 3/4" | TPR34-100x075-* | 0.88 | 1.88 | 1.50 | 0.94 | 0.75 | 1.50 | 3.00 | 3.00 | 1.50 | 1.03 | 2.06 | 3/8"-16 | 3/8"-16 | 3.30 (1.50) | 5000 (350) |
| 1-1/4" x 3/4" | TPR34-125x075-* | 0.88 | 1.88 | 1.50 | 1.25 | 0.75 | 1.50 | 3.00 | 3.00 | 1.50 | 1.19 | 2.31 | 7/16"-14 | 3/8"-16 | 3.20 (1.45) | 5000 (350) |
| 1-1/4" x 1" | TPR34-125x100-* | 1.03 | 2.06 | 1.50 | 1.25 | 0.94 | 1.25 | 3.00 | 3.00 | 1.50 | 1.19 | 2.31 | 7/16"-14 | 3/8"-16 | 2.60 (1.18) | 5000 (350) |
| 1-1/2" x 1" | TPR34-150x100-* | 1.03 | 2.06 | 2.00 | 1.50 | 0.94 | 1.50 | 3.00 | 4.00 | 1.50 | 1.41 | 2.75 | 1/2"-13 | 3/8"-16 | 4.26 (1.93) | 5000 (350) |
| 1-1/2" x 1-1/4" | TPR34-150x125-* | 1.19 | 2.31 | 2.00 | 1.50 | 1.25 | 1.50 | 3.00 | 4.00 | 1.50 | 1.41 | 2.75 | 1/2"-13 | 7/16"-14 | 4.20 (1.91) | 4000 (280) |
| 2" x 1-1/4" | TPR34-200x125-* | 1.19 | 2.31 | 2.00 | 1.94 | 1.25 | 1.75 | 3.00 | 4.00 | 1.50 | 1.69 | 3.06 | 1/2"-13 | 7/16"-14 | 4.70 (2.13) | 4000 (280) |
| 2" x 1-1/2" | TPR34-200x150-* | 1.41 | 2.75 | 2.00 | 1.94 | 1.50 | 1.75 | 4.00 | 4.00 | 2.00 | 1.69 | 3.06 | 1/2"-13 | 1/2"-13 | 6.40 (2.91) | 4000 (280) |
| 2-1/2" x 1-1/2" | TPR34-250x150-* | 1.41 | 2.75 | 2.50 | 2.38 | 1.50 | 2.00 | 4.00 | 5.00 | 2.00 | 2.00 | 3.50 | 1/2"-13 | 1/2"-13 | 8.90 (4.04) | 4000 (280) |
| 2-1/2" x 2" | TPR34-250x200-* | 1.69 | 3.06 | 2.50 | 2.38 | 1.94 | 1.75 | 4.00 | 5.00 | 2.00 | 2.00 | 3.50 | 1/2"-13 | 1/2"-13 | 7.65 (3.47) | 4000 (280) |
| 3" x 2" | TPR34-300x200-* | 1.69 | 3.06 | 3.00 | 2.88 | 1.94 | 2.00 | 4.00 | 6.00 | 2.00 | 2.44 | 4.19 | 5/8"-11 | 1/2"-13 | 10.60 (4.81) | 4000 (280) |
| 3" x 2-1/2" | TPR34-300x250-* | 2.00 | 3.50 | 3.00 | 2.88 | 2.38 | 1.75 | 4.50 | 6.00 | 2.25 | 2.44 | 4.19 | 5/8"-11 | 1/2"-13 | 10.10 (4.58) | 3000 (210) |

*** Materials:**

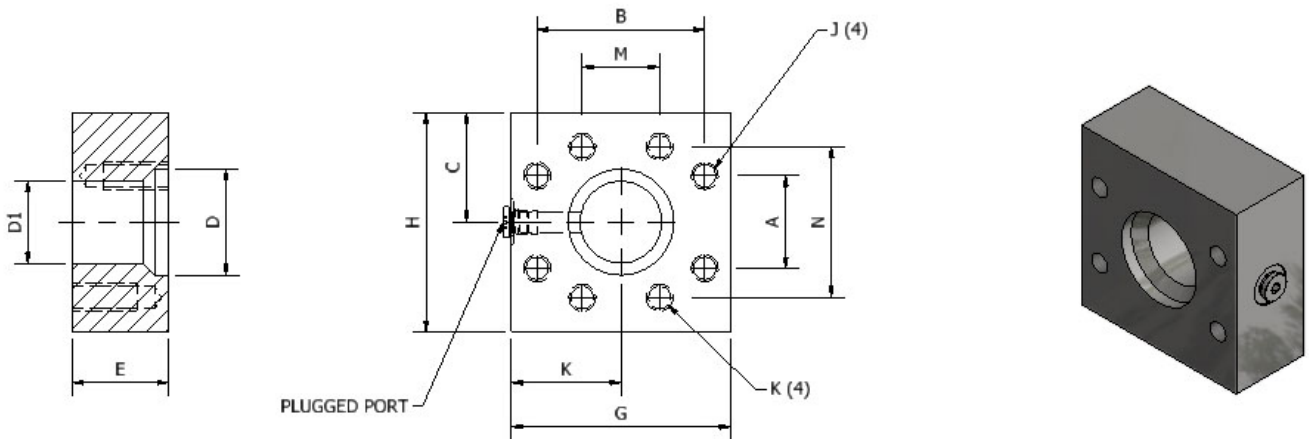
Standard, No Designation = All Carbon Steel, Clear Zinc Plated (Cr6 Free).
 SS = Stainless Steel, Type 316.

Ordering Example: TPR34-200x125-SS

* Insert Material _____

SAE 3000 PSI Transition Plate Reducer - Metric

SAE J518 Code 61 (ISO 6162-1) Flange Style



TPRM34 - Transition Plate Reducer Flat Face with Threaded Holes Complete with G1/8 Port (Plugged), Metric

| Size | Reducer Part Number | Dimensions (mm) | | | | | | | | | | Thread 1 | Thread 2 | WT lbs (kg) | Working Pressure PSI (bar) | |
|-----------------|---------------------|-----------------|------|------|------|------|------|-------|-------|------|------|----------|------------|-------------|----------------------------|------------|
| | | A | B | C | D | D1 | E | G | H | K | M | | | | | N |
| 3/4" x 1/2" | TPRM34-075x050-* | 17.5 | 38.1 | 42.9 | 19.1 | 12.7 | 25.4 | 76.2 | 76.2 | 38.1 | 22.4 | 47.8 | M10 x 1.50 | M8 x 1.25 | 3.50 (1.59) | 5000 (350) |
| 1" x 1/2" | TPRM34-100x050-* | 17.5 | 38.1 | 38.1 | 23.9 | 12.7 | 38.1 | 76.2 | 76.2 | 38.1 | 26.2 | 52.3 | M10 x 1.50 | M8 x 1.25 | 3.44 (1.56) | 5000 (350) |
| 1" x 3/4" | TPRM34-100x075-* | 22.4 | 47.8 | 38.1 | 23.9 | 19.1 | 38.1 | 76.2 | 76.2 | 38.1 | 26.2 | 52.3 | M10 x 1.50 | M10 x 1.50 | 3.30 (1.50) | 5000 (350) |
| 1-1/4" x 3/4" | TPRM34-125x075-* | 22.4 | 47.8 | 38.1 | 31.8 | 19.1 | 38.1 | 76.2 | 76.2 | 38.1 | 30.2 | 58.7 | M10 x 1.50 | M10 x 1.50 | 3.20 (1.45) | 5000 (350) |
| 1-1/4" x 1" | TPRM34-125x100-* | 26.2 | 52.3 | 38.1 | 31.8 | 23.9 | 31.8 | 76.2 | 76.2 | 38.1 | 30.2 | 58.7 | M10 x 1.50 | M10 x 1.50 | 2.60 (1.18) | 5000 (350) |
| 1-1/2" x 1" | TPRM34-150x100-* | 26.2 | 52.3 | 50.8 | 38.1 | 23.9 | 38.1 | 76.2 | 101.6 | 38.1 | 35.8 | 69.9 | M12 x 1.75 | M10 x 1.50 | 4.26 (1.93) | 5000 (350) |
| 1-1/2" x 1-1/4" | TPRM34-150x125-* | 30.2 | 58.7 | 50.8 | 38.1 | 31.8 | 38.1 | 76.2 | 101.6 | 38.1 | 35.8 | 69.9 | M12 x 1.75 | M10 x 1.50 | 4.20 (1.91) | 4000 (280) |
| 2" x 1-1/4" | TPRM34-200x125-* | 30.2 | 58.7 | 50.8 | 49.3 | 31.8 | 44.5 | 76.2 | 101.6 | 38.1 | 42.9 | 77.7 | M12 x 1.75 | M10 x 1.50 | 4.70 (2.13) | 4000 (280) |
| 2" x 1-1/2" | TPRM34-200x150-* | 35.8 | 69.9 | 50.8 | 49.3 | 38.1 | 44.5 | 101.6 | 101.6 | 50.8 | 42.9 | 77.7 | M12 x 1.75 | M12 x 1.75 | 6.40 (2.91) | 4000 (280) |
| 2-1/2" x 1-1/2" | TPRM34-250x150-* | 35.8 | 69.9 | 63.5 | 60.5 | 38.1 | 50.8 | 101.6 | 127.0 | 50.8 | 50.8 | 88.9 | M12 x 1.75 | M12 x 1.75 | 8.90 (4.04) | 4000 (280) |
| 2-1/2" x 2" | TPRM34-250x200-* | 42.9 | 77.7 | 63.5 | 60.5 | 49.3 | 44.5 | 101.6 | 127.0 | 50.8 | 50.8 | 88.9 | M12 x 1.75 | M12 x 1.75 | 7.65 (3.47) | 4000 (280) |
| 3" x 2" | TPRM34-300x200-* | 42.9 | 77.7 | 76.2 | 73.2 | 49.3 | 50.8 | 101.6 | 152.4 | 50.8 | 62.0 | 106.4 | M16 x 2.00 | M12 x 1.75 | 10.60 (4.81) | 4000 (280) |
| 3" x 2-1/2" | TPRM34-300x250-* | 50.8 | 88.9 | 76.2 | 73.2 | 60.5 | 44.5 | 114.3 | 152.4 | 57.2 | 62.0 | 106.4 | M16 x 2.00 | M12 x 1.75 | 10.10 (4.48) | 3000 (210) |

*** Materials:**

Standard, No Designation = All Carbon Steel, Clear Zinc Plated (Cr6 Free).
 SS = Stainless Steel, Type 316.

Ordering Example: TPRM34-200x125-SS

* Insert Material _____

3D step models available upon request

Introduction

Technical Data

Pipe Selection Guide

16 bar, 90° Flare

ANSI 150#, 300# Flare

SAE 1000, 70 bar

SAE 3000, 210 bar

SAE 6000, 420 bar

SAE 10000,

ISO 6164, 400 bar

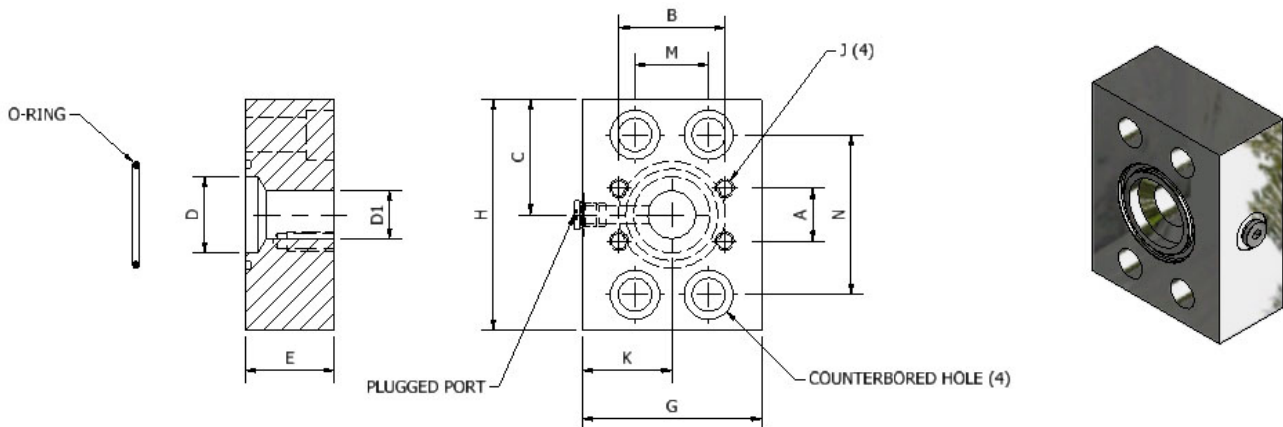
Clamps

Valves, Ball and Check

Machines

SAE 3000 PSI Transition Plate Reducer

SAE J518 Code 62/Code 61 (ISO 6162-2/6162-1) Flange Manifold Mount Style



TPRO6-34 - Transition Plate Reducer O-Ring Face with Counterbored Holes Complete with Buna O-Ring and #4 SAE Port (Plugged), NPS

| Size (SAE Code 62 x SAE Code 61) | Reducer Part Number | Dimensions (in) | | | | | | | | | | C'T Bore Bolt | Thread UNC-2B | O-Ring (Buna) Part Number | WT lbs (kg) | Working Pressure PSI (bar) | |
|---|------------------------|-----------------|------|------|------|------|------|------|------|------|------|---------------------|------------------|------------------------------------|----------------|----------------------------------|------------|
| | | A | B | C | D | D1 | E | G | H | K | M | | | | | | N |
| 3/4" x 1/2" | TPRO6-34-075x050-*^ | 0.69 | 1.50 | 1.38 | 0.75 | 0.50 | 1.50 | 3.00 | 2.75 | 1.25 | 0.94 | 2.00 | 3/8"-16 | 5/16"-18 | OR^2-214 | 2.99 (1.36) | 5000 (350) |
| 1" x 1/2" | TPRO6-34-100x050-*^ | 0.69 | 1.50 | 1.50 | 0.94 | 0.50 | 1.50 | 3.00 | 3.00 | 1.75 | 1.09 | 2.25 | 7/16"-14 | 5/16"-18 | OR^2-219 | 3.16 (1.43) | 5000 (350) |
| 1" x 3/4" | TPRO6-34-100x075-*^ | 0.88 | 1.88 | 1.50 | 0.94 | 0.75 | 1.50 | 3.00 | 3.00 | 1.75 | 1.09 | 2.25 | 7/16"-14 | 3/8"-16 | OR^2-219 | 3.04 (1.38) | 5000 (350) |
| 1-1/4" x 3/4" | TPRO6-34-125x075-*^ | 0.88 | 1.88 | 1.75 | 1.25 | 0.75 | 1.50 | 3.00 | 3.50 | 1.75 | 1.25 | 2.62 | 1/2"-13 | 3/8"-16 | OR^2-222 | 3.40 (1.54) | 5000 (350) |
| 1-1/4" x 1" | TPRO6-34-125x100-*^ | 1.03 | 2.06 | 1.75 | 1.25 | 0.94 | 1.50 | 3.00 | 3.50 | 1.75 | 1.25 | 2.62 | 1/2"-13 | 3/8"-16 | OR^2-222 | 4.03 (1.83) | 5000 (350) |
| 1-1/2" x 1" | TPRO6-34-150x100-*^ | 1.03 | 2.06 | 2.25 | 1.50 | 0.94 | 1.75 | 3.50 | 4.50 | 2.00 | 1.44 | 3.13 | 5/8"-11 | 3/8"-16 | OR^2-225 | 6.10 (2.77) | 5000 (350) |
| 1-1/2" x 1-1/4" | TPRO6-34-150x125-*^ | 1.19 | 2.31 | 2.25 | 1.50 | 1.25 | 1.75 | 3.00 | 4.50 | 1.50 | 1.44 | 3.13 | 5/8"-11 | 7/16"-14 | OR^2-225 | 4.70 (2.13) | 4000 (280) |
| 2" x 1-1/4" | TPRO6-34-200x125-*^ | 1.19 | 2.31 | 2.63 | 1.94 | 1.25 | 1.75 | 4.00 | 5.25 | 2.00 | 1.75 | 3.81 | 3/4"-10 | 7/16"-14 | OR^2-228 | 7.60 (3.45) | 4000 (280) |
| 2" x 1-1/2" | TPRO6-34-200x150-*^ | 1.41 | 2.75 | 2.63 | 1.94 | 1.50 | 1.75 | 4.00 | 5.25 | 2.00 | 1.75 | 3.81 | 3/4"-10 | 1/2"-13 | OR^2-228 | 7.30 (3.31) | 4000 (280) |

TPROM6-34 - Transition Plate Reducer O-Ring Face with Counterbored Holes Complete with Buna O-Ring and G 1/8 Port (Plugged), Metric

| Size (ISO 6162-2 x ISO 6162-1) | Reducer Part Number | Dimensions (mm) | | | | | | | | | | C'T Bore Bolt | Thread | O-Ring (Buna) Part Number | WT lbs (kg) | Working Pressure PSI (bar) | |
|--------------------------------------|------------------------|-----------------|------|------|------|------|------|-------|-------|------|------|---------------------|--------|------------------------------------|----------------|----------------------------------|------------|
| | | A | B | C | D | D1 | E | G | H | K | M | | | | | | N |
| 3/4" x 1/2" | TPROM6-34-075x050-*^ | 17.5 | 38.1 | 35.1 | 19.1 | 12.7 | 38.1 | 76.2 | 69.9 | 44.5 | 23.9 | 50.8 | M10 | M8 x 1.25 | OR^2-214 | 2.99 (1.36) | 5000 (350) |
| 1" x 1/2" | TPROM6-34-100x050-*^ | 17.5 | 38.1 | 38.1 | 23.9 | 12.7 | 38.1 | 76.2 | 76.2 | 44.5 | 27.7 | 57.2 | M12 | M8 x 1.25 | OR^2-219 | 3.16 (1.43) | 5000 (350) |
| 1" x 3/4" | TPROM6-34-100x075-*^ | 22.4 | 47.8 | 38.1 | 23.9 | 19.1 | 38.1 | 76.2 | 76.2 | 44.5 | 27.7 | 57.2 | M12 | M10 x 1.50 | OR^2-219 | 3.04 (1.38) | 5000 (350) |
| 1-1/4" x 3/4" | TPROM6-34-125x075-*^ | 22.4 | 47.8 | 44.5 | 31.8 | 19.1 | 38.1 | 76.2 | 88.9 | 44.5 | 31.8 | 66.8 | M12 | M10 x 1.50 | OR^2-222 | 3.40 (1.54) | 5000 (350) |
| 1-1/4" x 1" | TPROM6-34-125x100-*^ | 26.2 | 52.3 | 44.5 | 31.8 | 23.9 | 25.4 | 76.2 | 88.9 | 38.1 | 31.8 | 66.8 | M12 | M10 x 1.50 | OR^2-222 | 4.03 (1.83) | 5000 (350) |
| 1-1/2" x 1" | TPROM6-34-150x100-*^ | 26.2 | 52.3 | 57.2 | 38.1 | 23.9 | 44.5 | 88.9 | 114.3 | 50.8 | 36.6 | 79.5 | M16 | M10 x 1.50 | OR^2-225 | 6.10 (2.77) | 5000 (350) |
| 1-1/2" x 1-1/4" | TPROM6-34-150x125-*^ | 30.2 | 58.7 | 57.2 | 38.1 | 31.8 | 44.5 | 76.2 | 114.3 | 38.1 | 36.6 | 79.5 | M16 | M10 x 1.50 | OR^2-225 | 4.70 (2.13) | 4000 (280) |
| 2" x 1-1/4" | TPROM6-34-200x125-*^ | 30.2 | 58.7 | 66.8 | 49.3 | 31.8 | 44.5 | 101.6 | 133.4 | 50.8 | 44.5 | 96.8 | M20 | M10 x 1.50 | OR^2-228 | 7.60 (3.45) | 4000 (280) |
| 2" x 1-1/2" | TPROM6-34-200x150-*^ | 35.8 | 69.9 | 66.8 | 49.3 | 38.1 | 44.5 | 101.6 | 133.4 | 50.8 | 44.5 | 96.8 | M20 | M12 x 1.75 | OR^2-228 | 7.30 (3.31) | 4000 (280) |

*** Materials:**

Standard, No Designation = All Carbon Steel, Clear Zinc Plated (Cr6 Free).

SS = Stainless Steel, Type 316.

^ O-Ring Type:

Standard, No Designation = Buna Nitrile.

V = Viton.

Ordering Example: TPRO6-34-200x125-SS-V

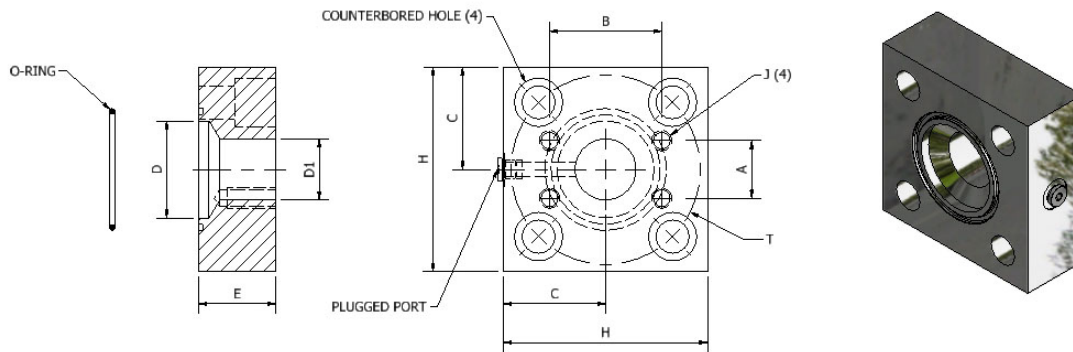
* Insert Material _____

^ Insert O-Ring Type _____

3D step models available upon request

SAE 3000 PSI Transition Plate Reducer

ISO 6164/SAE Code 61 (ISO6164/6162-1) Flange Manifold Mount Style



TPRO7-34 - Transition Plate Reducer O-Ring Face with Counterbored Holes Complete with Buna O-Ring and #4 SAE Port (Plugged), NPS

| Size (ISO 6164 x SAE Code 61) | Reducer Part Number | Dimensions (in) | | | | | | | | C'T Bore Bolt | Thread UNC-2B | O-Ring (Buna) Part Number | WT lbs (kg) | Working Pressure PSI (bar) |
|-------------------------------------|------------------------|-----------------|------|------|------|------|------|------|------|---------------------|------------------|------------------------------------|----------------|----------------------------------|
| | | T | A | B | C | D | D1 | E | H | | | | | |
| 2-1/2" x 1-1/2" | TPRO7-34-250x150-*^-^ | 4.65 | 1.41 | 2.75 | 2.50 | 2.38 | 1.50 | 1.75 | 5.00 | 3/4"-10 | 1/2"-13 | OR^-2-232 | 9.20 (4.17) | 3000 (210) |
| 2-1/2" x 2" | TPRO7-34-250x200-*^-^ | 4.65 | 1.69 | 3.06 | 2.75 | 2.38 | 1.94 | 1.75 | 5.00 | 3/4"-10 | 1/2"-13 | OR^-2-232 | 9.90 (4.49) | 3000 (210) |
| 3" x 2" | TPRO7-34-300x200-*^-^ | 5.71 | 1.69 | 3.06 | 3.00 | 2.88 | 1.94 | 2.00 | 6.00 | 1"-8 | 1/2"-13 | OR^-2-237 | 14.20 (6.44) | 3000 (210) |
| 3" x 2-1/2" | TPRO7-34-300x250-*^-^ | 5.71 | 2.00 | 3.50 | 3.00 | 2.88 | 2.38 | 2.00 | 6.00 | 1"-8 | 1/2"-13 | OR^-2-237 | 15.40 (6.99) | 2500 (175) |
| 4" x 2-1/2" | TPRO7-34-400x250-*^-^ | 6.89 | 2.00 | 3.50 | 3.50 | 3.50 | 2.38 | 2.00 | 7.00 | 1-1/8"-7 | 1/2"-13 | OR^-2-241 | 22.20 (10.07) | 2500 (175) |
| 4" x 3" | TPRO7-34-400x300-*^-^ | 6.89 | 2.44 | 4.19 | 3.75 | 3.50 | 2.88 | 2.00 | 7.00 | 1-1/8"-7 | 5/8"-11 | OR^-2-241 | 21.70 (9.84) | 2000 (140) |

TPROM7-34 - Transition Plate Reducer O-Ring Face with Counterbored Holes Complete with Buna O-Ring and G1/8 Port (Plugged), Metric

| Size (ISO 6164 x 6162-1) | Reducer Part Number | Dimensions (mm) | | | | | | | | C'T Bore Bolt | Thread | O-Ring (Buna) Part Number | WT lbs (kg) | Working Pressure PSI (bar) |
|--------------------------------|------------------------|-----------------|------|-------|------|------|------|------|-------|---------------------|------------|------------------------------------|----------------|----------------------------------|
| | | T | A | B | C | D | D1 | E | H | | | | | |
| 2-1/2" x 1-1/2" | TPROM7-34-250x150-*^-^ | 118.1 | 35.8 | 69.9 | 63.5 | 60.5 | 38.1 | 44.5 | 127.0 | M20 | M12 x 1.75 | OR^-2-232 | 9.20 (4.17) | 3000 (210) |
| 2-1/2" x 2" | TPROM7-34-250x200-*^-^ | 118.1 | 42.9 | 77.7 | 69.9 | 60.5 | 49.3 | 44.5 | 127.0 | M20 | M12 x 1.75 | OR^-2-232 | 9.90 (4.49) | 3000 (210) |
| 3" x 2" | TPROM7-34-300x200-*^-^ | 145.0 | 42.9 | 77.7 | 76.2 | 73.2 | 49.3 | 50.8 | 152.4 | M24 | M12 x 1.75 | OR^-2-237 | 14.20 (6.44) | 3000 (210) |
| 3" x 2-1/2" | TPROM7-34-300x250-*^-^ | 145.0 | 50.8 | 88.9 | 76.2 | 73.2 | 60.5 | 50.8 | 152.4 | M24 | M12 x 1.75 | OR^-2-237 | 15.40 (6.99) | 2500 (175) |
| 4" x 2-1/2" | TPROM7-34-400x250-*^-^ | 175.0 | 50.8 | 88.9 | 88.9 | 88.9 | 60.5 | 50.8 | 177.8 | M30 | M12 x 1.75 | OR^-2-241 | 22.20 (10.07) | 2500 (175) |
| 4" x 3" | TPROM7-34-400x300-*^-^ | 175.0 | 62.0 | 106.4 | 95.3 | 88.9 | 73.2 | 50.8 | 177.8 | M30 | M16 x 2.00 | OR^-2-241 | 21.70 (9.84) | 2000 (140) |

*** Materials:**

Standard, No Designation = All Carbon Steel, Clear Zinc Plated (Cr6 Free).
SS = Stainless Steel, Type 316.

^ O-Ring Type:

Standard, No Designation = Buna Nitrile.
V = Viton.

Ordering Example: TPRO7-34-250x150-SS-V

* Insert Material _____

^ Insert O-Ring Type _____

3D step models available upon request

Introduction

Technical Data

Pipe Selection Guide

16 bar, 90° Flare

ANSI 150#, 300# Flare

SAE 1000, 70 bar

SAE 3000, 210 bar

SAE 6000, 420 bar

SAE 10000,

ISO 6164, 400 bar

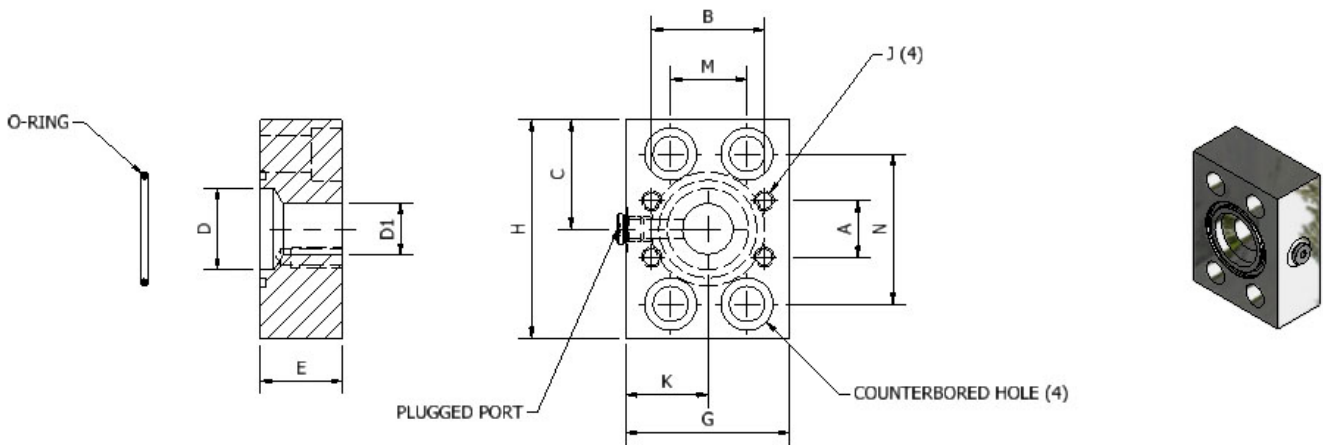
Clamps

Valves, Ball and Check

Machines

SAE 3000 PSI Transition Plate Reducer - NPS

SAE J518 Code 61 (ISO 6162-1) Flange Manifold Mount Style



TPRO34 - Transition Plate Reducer O-Ring Face with Counterbored Holes Complete with Buna O-Ring and #4 SAE Port (Plugged), NPS

| Size | Reducer Part Number | Dimensions (in) | | | | | | | | | | | C'T Bore Bolt | Thread UNC-2B | O-Ring (Buna) Part Number | WT lbs (kg) | Working Pressure PSI (bar) |
|-----------------|---------------------|-----------------|------|------|------|------|------|------|------|------|------|------|---------------|---------------|---------------------------|-------------|----------------------------|
| | | A | B | C | D | D1 | E | G | H | K | M | N | | | | | |
| 3/4" x 1/2" | TPRO34-075x050-*^-^ | 0.69 | 1.50 | 1.50 | 0.75 | 0.50 | 1.50 | 3.00 | 3.00 | 1.69 | 0.88 | 1.88 | 3/8"-16 | 5/16"-18 | OR^-2-214 | 3.30 (1.50) | 5000 (350) |
| 1" x 1/2" | TPRO34-100x050-*^-^ | 0.69 | 1.50 | 1.50 | 0.94 | 0.50 | 1.50 | 3.00 | 3.00 | 1.69 | 1.03 | 2.06 | 3/8"-16 | 5/16"-18 | OR^-2-219 | 3.20 (1.45) | 5000 (350) |
| 1" x 3/4" | TPRO34-100x075-*^-^ | 0.88 | 1.88 | 1.50 | 0.94 | 0.75 | 1.50 | 3.00 | 3.00 | 1.69 | 1.03 | 2.06 | 3/8"-16 | 3/8"-16 | OR^-2-219 | 3.20 (1.45) | 5000 (350) |
| 1-1/4" x 3/4" | TPRO34-125x075-*^-^ | 0.88 | 1.88 | 1.63 | 1.25 | 0.75 | 1.50 | 3.00 | 3.25 | 1.69 | 1.19 | 2.31 | 7/16"-14 | 3/8"-16 | OR^-2-222 | 3.30 (1.50) | 5000 (350) |
| 1-1/4" x 1" | TPRO34-125x100-*^-^ | 1.03 | 2.06 | 1.63 | 1.25 | 0.94 | 1.25 | 3.00 | 3.25 | 1.50 | 1.19 | 2.31 | 7/16"-14 | 3/8"-16 | OR^-2-222 | 2.58 (1.17) | 5000 (350) |
| 1-1/2" x 1" | TPRO34-150x100-*^-^ | 1.03 | 2.06 | 2.00 | 1.50 | 0.94 | 1.50 | 3.00 | 4.00 | 1.50 | 1.41 | 2.75 | 1/2"-13 | 3/8"-16 | OR^-2-225 | 4.00 (1.81) | 5000 (350) |
| 1-1/2" x 1-1/4" | TPRO34-150x125-*^-^ | 1.19 | 2.31 | 2.00 | 1.50 | 1.25 | 1.50 | 3.00 | 4.00 | 1.50 | 1.41 | 2.75 | 1/2"-13 | 7/16"-14 | OR^-2-225 | 3.70 (1.68) | 4000 (280) |
| 2" x 1-1/4" | TPRO34-200x125-*^-^ | 1.19 | 2.31 | 2.00 | 1.94 | 1.25 | 1.75 | 3.00 | 4.00 | 1.50 | 1.69 | 3.06 | 1/2"-13 | 7/16"-14 | OR^-2-228 | 4.20 (1.91) | 4000 (280) |
| 2" x 1-1/2" | TPRO34-200x150-*^-^ | 1.41 | 2.75 | 2.00 | 1.94 | 1.50 | 1.75 | 4.00 | 4.00 | 2.00 | 1.69 | 3.06 | 1/2"-13 | 1/2"-13 | OR^-2-228 | 5.90 (2.68) | 4000 (280) |
| 2-1/2" x 1-1/2" | TPRO34-250x150-*^-^ | 1.41 | 2.75 | 2.50 | 2.38 | 1.50 | 2.00 | 4.00 | 5.00 | 2.00 | 2.00 | 3.50 | 1/2"-13 | 1/2"-13 | OR^-2-232 | 8.80 (3.99) | 4000 (280) |
| 2-1/2" x 2" | TPRO34-250x200-*^-^ | 1.69 | 3.06 | 2.50 | 2.38 | 1.94 | 1.75 | 4.00 | 5.00 | 2.00 | 2.00 | 3.50 | 1/2"-13 | 1/2"-13 | OR^-2-232 | 7.30 (3.31) | 4000 (280) |
| 3" x 2" | TPRO34-300x200-*^-^ | 1.69 | 3.06 | 3.00 | 2.88 | 1.94 | 2.00 | 4.00 | 6.00 | 2.00 | 2.44 | 4.19 | 5/8"-11 | 1/2"-13 | OR^-2-237 | 9.80 (4.45) | 4000 (280) |
| 3" x 2-1/2" | TPRO34-300x250-*^-^ | 2.00 | 3.50 | 3.00 | 2.88 | 2.38 | 1.75 | 4.50 | 6.00 | 2.25 | 2.44 | 4.19 | 5/8"-11 | 1/2"-13 | OR^-2-237 | 9.50 (4.31) | 3000 (210) |

*** Materials:**

Standard, No Designation = All Carbon Steel, Clear Zinc Plated (Cr6 Free).
 SS = Stainless Steel, Type 316.

^ O-Ring Type:

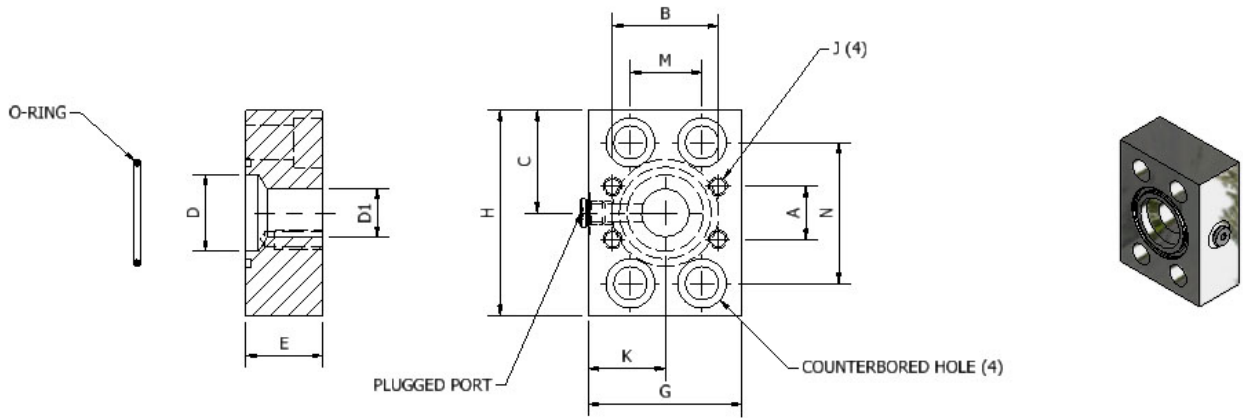
Standard, No Designation = Buna Nitrile.
 V = Viton.

Ordering Example: TPRO34-200x150-SS-V

* Insert Material _____
 ^ Insert O-Ring Type _____

SAE 3000 PSI Transition Plate Reducer - Metric

SAE J518 Code 61 (ISO 6162-1) Flange Manifold Mount Style



TPROM34 - Transition Plate Reducer O-Ring Face with Counterbored Holes Complete with Buna O-Ring and G1/8 (Plugged), Metric

| Size | Reducer Part Number | Dimensions (mm) | | | | | | | | | | | C'T Bore Bolt | Thread | O-Ring (Buna) Part Number | WT lbs (kg) | Working Pressure PSI (bar) |
|-----------------|----------------------|-----------------|------|------|------|------|------|-------|-------|------|------|-------|---------------|------------|---------------------------|-------------|----------------------------|
| | | A | B | C | D | D1 | E | G | H | K | M | N | | | | | |
| 3/4" x 1/2" | TPROM34-075x050-*^-^ | 17.5 | 38.1 | 38.1 | 19.1 | 12.7 | 38.1 | 76.2 | 76.2 | 42.9 | 22.4 | 47.8 | M10 | M8 x 1.25 | OR^-2-214 | 3.20 (1.45) | 5000 (350) |
| 1" x 1/2" | TPROM34-100x050-*^-^ | 17.5 | 38.1 | 38.1 | 23.9 | 12.7 | 38.1 | 76.2 | 76.2 | 38.1 | 26.2 | 52.3 | M10 | M8 x 1.25 | OR^-2-219 | 3.20 (1.45) | 5000 (350) |
| 1" x 3/4" | TPROM34-100x075-*^-^ | 22.4 | 47.8 | 38.1 | 23.9 | 19.1 | 38.1 | 76.2 | 76.2 | 38.1 | 26.2 | 52.3 | M10 | M10 x 1.50 | OR^-2-219 | 3.30 (1.50) | 5000 (350) |
| 1-1/4" x 3/4" | TPROM34-125x075-*^-^ | 22.4 | 47.8 | 41.4 | 31.8 | 19.1 | 38.1 | 76.2 | 82.6 | 38.1 | 30.2 | 58.7 | M10 | M10 x 1.50 | OR^-2-222 | 2.58 (1.17) | 5000 (350) |
| 1-1/4" x 1" | TPROM34-125x100-*^-^ | 26.2 | 52.3 | 41.4 | 31.8 | 23.9 | 31.8 | 76.2 | 82.6 | 38.1 | 30.2 | 58.7 | M10 | M10 x 1.50 | OR^-2-222 | 4.00 (1.81) | 5000 (350) |
| 1-1/2" x 1" | TPROM34-150x100-*^-^ | 26.2 | 52.3 | 50.8 | 38.1 | 23.9 | 38.1 | 76.2 | 101.6 | 38.1 | 35.8 | 69.9 | M12 | M10 x 1.50 | OR^-2-225 | 3.70 (1.68) | 5000 (350) |
| 1-1/2" x 1-1/4" | TPROM34-150x125-*^-^ | 30.2 | 58.7 | 50.8 | 38.1 | 31.8 | 38.1 | 76.2 | 101.6 | 38.1 | 35.8 | 69.9 | M12 | M10 x 1.50 | OR^-2-225 | 4.20 (1.91) | 4000 (280) |
| 2" x 1-1/4" | TPROM34-200x125-*^-^ | 30.2 | 58.7 | 50.8 | 49.3 | 31.8 | 44.5 | 76.2 | 101.6 | 38.1 | 42.9 | 77.7 | M12 | M10 x 1.50 | OR^-2-228 | 5.90 (2.68) | 4000 (280) |
| 2" x 1-1/2" | TPROM34-200x150-*^-^ | 35.8 | 69.9 | 50.8 | 49.3 | 38.1 | 44.5 | 101.6 | 101.6 | 50.8 | 42.9 | 77.7 | M12 | M12 x 1.75 | OR^-2-228 | 8.80 (3.99) | 4000 (280) |
| 2-1/2" x 1-1/2" | TPROM34-250x150-*^-^ | 35.8 | 69.9 | 63.5 | 60.5 | 38.1 | 50.8 | 101.6 | 127.0 | 50.8 | 50.8 | 88.9 | M12 | M12 x 1.75 | OR^-2-232 | 7.30 (3.31) | 4000 (280) |
| 2-1/2" x 2" | TPROM34-250x200-*^-^ | 42.9 | 77.7 | 63.5 | 60.5 | 49.3 | 44.5 | 101.6 | 127.0 | 50.8 | 50.8 | 88.9 | M12 | M12 x 1.75 | OR^-2-232 | 9.80 (4.45) | 4000 (280) |
| 3" x 2" | TPROM34-300x200-*^-^ | 42.9 | 77.7 | 76.2 | 73.2 | 49.3 | 50.8 | 101.6 | 152.4 | 50.8 | 62.0 | 106.4 | M16 | M12 x 1.75 | OR^-2-237 | 9.50 (4.31) | 4000 (280) |
| 3" x 2-1/2" | TPROM34-300x250-*^-^ | 50.8 | 88.9 | 76.2 | 73.2 | 60.5 | 44.5 | 114.3 | 152.4 | 57.2 | 62.0 | 106.4 | M16 | M12 x 1.75 | OR^-2-237 | 3.30 (1.50) | 3000 (210) |

*** Materials:**

Standard, No Designation = All Carbon Steel, Clear Zinc Plated (Cr6 Free).
 SS = Stainless Steel, Type 316.

^ O-Ring Type:

Standard, No Designation = Buna Nitrile.
 V = Viton.

Ordering Example: TPROM34-200x150-SS-V

* Insert Material _____

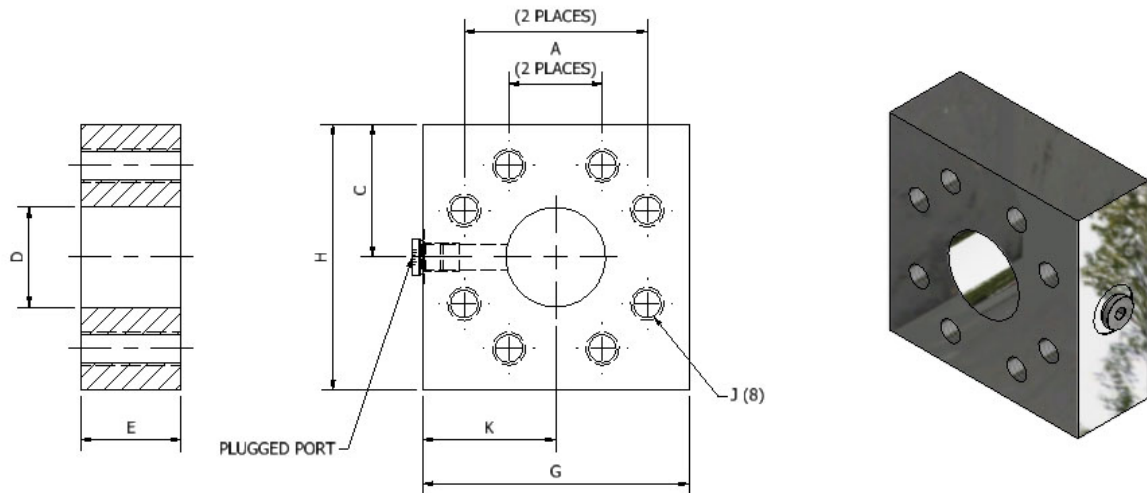
^ Insert O-Ring Type _____

3D step models available upon request

Introduction
 Technical Data
 Pipe Selection Guide
 16 bar, 90° Flare
 ANSI 150#, 300# Flare
 SAE 1000, 70 bar
 SAE 3000, 210 bar
 SAE 6000, 420 bar
 SAE 10000, 400 bar
 ISO 6164, 400 bar
 Clamps
 Valves, Ball and Check
 Machines

SAE 3000 PSI Adapter Plate

SAE J518 Code 61 (ISO 6162-1) Flange Style



AP34 - Adapter Plate Flat Face with Threaded Holes Complete with #4 SAE Port (Plugged), NPS

| Size | Adapter Plate Part Number | Dimensions (in) | | | | | | | | Thread UNC-2B | WT lbs (kg) | Working Pressure PSI (bar) |
|--------|---------------------------|-----------------|------|------|------|------|------|------|------|---------------|-------------|----------------------------|
| | | A | B | C | D | E | G | H | K | | | |
| 1/2" | AP34-050-* | 0.69 | 1.50 | 1.25 | 0.50 | 1.00 | 2.75 | 2.50 | 1.63 | 5/16"-18 | 1.70 (0.77) | 5000 (350) |
| 3/4" | AP34-075-* | 0.88 | 1.88 | 1.50 | 0.75 | 1.00 | 3.00 | 3.00 | 1.69 | 3/8"-16 | 2.20 (1.00) | 5000 (350) |
| 1" | AP34-100-* | 1.03 | 2.06 | 1.50 | 0.94 | 1.00 | 3.00 | 3.00 | 1.50 | 3/8"-16 | 2.10 (0.95) | 5000 (350) |
| 1-1/4" | AP34-125-* | 1.19 | 2.31 | 1.50 | 1.25 | 1.25 | 3.00 | 3.00 | 1.50 | 7/16"-14 | 2.40 (1.09) | 4000 (280) |
| 1-1/2" | AP34-150-* | 1.41 | 2.75 | 2.00 | 1.50 | 1.50 | 4.00 | 4.00 | 2.00 | 1/2"-13 | 5.40 (2.45) | 4000 (280) |
| 2" | AP34-200-* | 1.69 | 3.06 | 2.00 | 1.94 | 1.50 | 4.00 | 4.00 | 2.00 | 1/2"-13 | 4.90 (2.22) | 4000 (280) |

APM34 - Adapter Plate Flat Face with Threaded Holes Complete with G 1/8 Port (Plugged), Metric

| Size | Adapter Plate Part Number | Dimensions (mm) | | | | | | | | Thread | WT lbs (kg) | Working Pressure PSI (bar) |
|--------|---------------------------|-----------------|------|------|------|------|-------|-------|------|------------|-------------|----------------------------|
| | | A | B | C | D | E | G | H | K | | | |
| 1/2" | APM34-050-* | 17.5 | 38.1 | 31.8 | 12.7 | 25.4 | 69.9 | 63.5 | 41.4 | M8 x 1.25 | 1.70 (0.77) | 5000 (350) |
| 3/4" | APM34-075-* | 22.4 | 47.8 | 38.1 | 19.1 | 25.4 | 76.2 | 76.2 | 42.9 | M10 x 1.50 | 2.20 (1.00) | 5000 (350) |
| 1" | APM34-100-* | 26.2 | 52.3 | 38.1 | 23.9 | 25.4 | 76.2 | 76.2 | 38.1 | M10 x 1.50 | 2.10 (0.95) | 5000 (350) |
| 1-1/4" | APM34-125-* | 30.2 | 58.7 | 38.1 | 31.8 | 31.8 | 76.2 | 76.2 | 38.1 | M10 x 1.50 | 2.40 (1.09) | 4000 (280) |
| 1-1/2" | APM34-150-* | 35.8 | 69.9 | 50.8 | 38.1 | 38.1 | 101.6 | 101.6 | 50.8 | M12 x 1.75 | 5.40 (2.45) | 4000 (280) |
| 2" | APM34-200-* | 42.9 | 77.7 | 50.8 | 49.3 | 38.1 | 101.6 | 101.6 | 50.8 | M12 x 1.75 | 4.90 (2.22) | 4000 (280) |

*** Materials:**

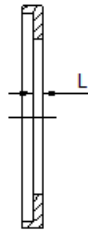
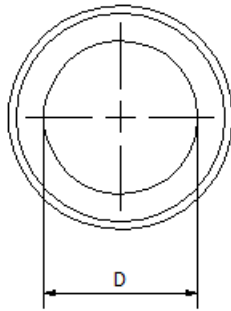
Standard, No Designation = All Carbon Steel, Clear Zinc Plated (Cr6 Free).
 SS = Stainless Steel, Type 316.

Ordering Example: AP34-200-SS

* Insert Material

SAE 3000 PSI O-Ring Connector Plate

SAE J518 Code 61 (ISO 6162-1)



| OCP - O-Ring Connector Plate | | | | |
|------------------------------|-----------------------------|--------------------|------------|-------------|
| Size | Connector Plate Part Number | Dimensions in (mm) | | WT lbs (kg) |
| | | D | L | |
| 1/2" | OCP-050-* | 0.50 (12.7) | 0.13 (3.3) | 0.04 (0.02) |
| 3/4" | OCP-075-* | 0.75 (19.1) | 0.13 (3.3) | 0.07 (0.03) |
| 1" | OCP-100-* | 0.94 (23.9) | 0.13 (3.3) | 0.08 (0.04) |
| 1-1/4" | OCP-125-* | 1.20 (30.5) | 0.13 (3.3) | 0.09 (0.04) |
| 1-1/2" | OCP-150-* | 1.50 (38.1) | 0.13 (3.3) | 0.17 (0.08) |
| 2" | OCP-200-* | 1.94 (49.3) | 0.13 (3.3) | 0.15 (0.07) |
| 2-1/2" | OCP-250-* | 2.36 (59.9) | 0.13 (3.3) | 0.17 (0.08) |
| 3" | OCP-300-* | 2.88 (73.2) | 0.13 (3.3) | 0.25 (0.11) |

*** Materials:**

Standard, No Designation = Carbon Steel,
Clear Zinc Plated (Cr6 Free).
SS = Stainless Steel, Type 316.

Ordering Example: OCP-200-SS

* Insert Material

Introduction

Technical Data

Pipe Selection Guide

16 bar, 90° Flare

ANSI 150#, 300# Flare

SAE 1000, 70 bar

SAE 3000, 210 bar

SAE 6000, 420 bar

SAE 10000,

ISO 6164, 400 bar

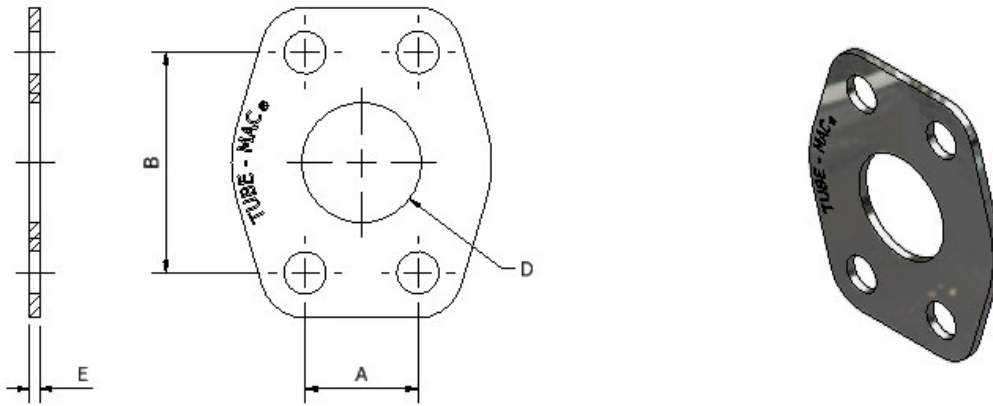
Clamps

Valves, Ball and Check

Machines

SAE 3000 PSI Connector Plate

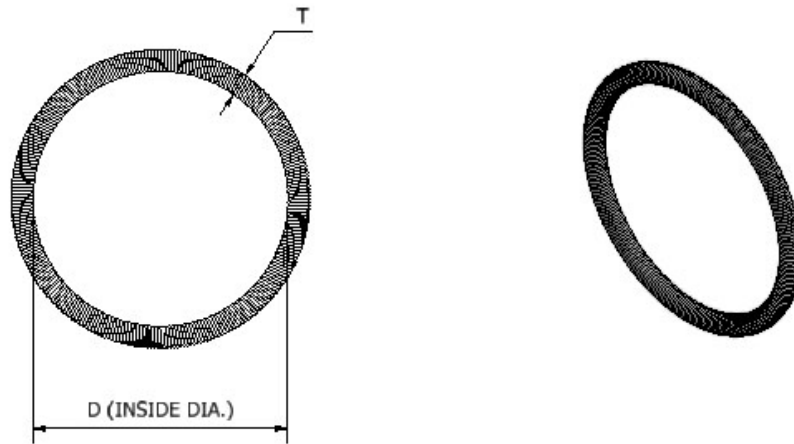
SAE J518 Code 61 (ISO 6162-1)



| CP - Connector Plate | | | | | | |
|----------------------|-------------|-----------------------|--------------|--------------|-------------|----------------|
| Size | Part Number | Dimensions in (mm) | | | | WT lbs (kg) |
| | | A | B | D | E | |
| 1/2" | CP34-050 | 0.69 (17.53) | 1.50 (38.10) | 0.50 (12.70) | 0.12 (3.05) | 0.09 (0.04) |
| 3/4" | CP34-075 | 0.88 (22.35) | 1.88 (47.75) | 0.75 (19.05) | 0.12 (3.05) | 0.12 (0.05) |
| 1" | CP34-100 | 1.03 (26.16) | 2.06 (52.32) | 0.94 (23.88) | 0.12 (3.05) | 0.14 (0.06) |
| 1-1/4" | CP34-125 | 1.19 (30.23) | 2.31 (58.67) | 1.25 (31.75) | 0.12 (3.05) | 0.20 (0.09) |
| 1-1/2" | CP34-150 | 1.41 (35.81) | 2.75 (69.85) | 1.50 (38.10) | 0.12 (3.05) | 0.28 (0.13) |
| 2" | CP34-200 | 1.69 (42.93) | 3.06 (77.72) | 1.94 (49.28) | 0.12 (3.05) | 0.33 (0.15) |

SAE 3000 PSI Retain Ring

SAE J518 Code 61 (ISO 6162-1)



| R – Retain Ring | | | | |
|-----------------|-------------------------|--------------------|------------|--------------|
| Size | Retain Ring Part Number | Dimensions in (mm) | | WT lbs (kg) |
| | | D | t | |
| 1/2" | R-050 | 0.85 (21.6) | 0.16 (4.0) | 0.01 (0.005) |
| 3/4" | R-075 | 1.24 (31.5) | 0.16 (4.0) | 0.02 (0.009) |
| 1" | R-100 | 1.32 (33.5) | 0.20 (5.0) | 0.03 (0.014) |
| 1-1/4" | R-125 | 1.59 (40.4) | 0.20 (5.0) | 0.04 (0.018) |
| 1-1/2" | R-150 | 1.99 (50.5) | 0.20 (5.0) | 0.05 (0.023) |
| 2" | R-200 | 2.38 (60.5) | 0.20 (5.0) | 0.06 (0.027) |
| 2-1/2" | R-250 | 2.93 (74.4) | 0.20 (5.0) | 0.07 (0.032) |
| 3" | R-300 | 3.56 (90.4) | 0.24 (6.0) | 0.12 (0.054) |

| RA - Retain Ring for Grooved NPS Pipe | | | | |
|---------------------------------------|-------------------------|--------------------|------------|--------------|
| Size | Retain Ring Part Number | Dimensions in (mm) | | WT lbs (kg) |
| | | D | t | |
| 1-1/2" | RA-150 | 1.69 (42.93) | 0.20 (5.0) | 0.04 (0.018) |
| 2" | RA-200 | 2.16 (54.86) | 0.20 (5.0) | 0.05 (0.023) |
| 2-1/2" | RA-250 | 2.66 (67.50) | 0.20 (5.0) | 0.07 (0.032) |
| 3" | RA-300 | 3.24 (82.4) | 0.24 (6.0) | 0.11 (0.050) |

*** Materials:**

Stainless Steel – AISI 302/304 Spring Temper

3D step models available upon request

Introduction

Technical Data

Pipe Selection Guide

16 bar, 90° Flare

ANSI 150#, 300# Flare

SAE 1000, 70 bar

SAE 3000, 210 bar

SAE 6000, 420 bar

SAE 10000,

ISO 6164, 400 bar

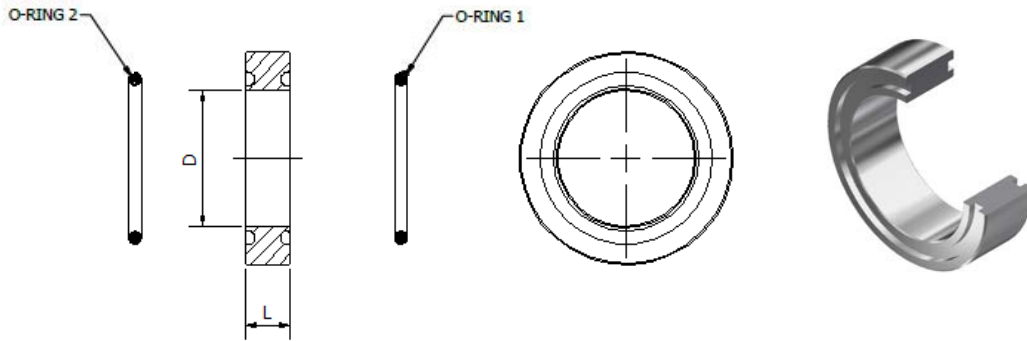
Clamps

Valves, Ball and Check

Machines

SAE 3000 PSI O-Ring Spacer for Retain Ring Pipe Flange Connection

SAE J518 Code 61 (ISO 6162-1)



OS – O-Ring Spacer for Retain Ring Pipe Flange Connection

| Size | Part Number | Dimensions in (mm) | | O-Rings 1&2 (Buna) Part Number | WT lbs (kg) |
|--------|-------------|-----------------------|-------------|---|----------------|
| | | D | L | | |
| 1/2" | OS-050-*-*^ | 0.55 (14.0) | 0.50 (12.7) | OR^3-909 | 0.11 (0.05) |
| 3/4" | OS-075-*-*^ | 0.79 (20.1) | 0.50 (12.7) | OR^3-913 | 0.18 (0.08) |
| 1" | OS-100-*-*^ | 0.91 (23.1) | 0.50 (12.7) | OR^3-916 | 0.21 (0.10) |
| 1-1/4" | OS-125-*-*^ | 1.18 (30.0) | 0.50 (12.7) | OR^3-918 | 0.26 (0.12) |
| 1-1/2" | OS-150-*-*^ | 1.54 (39.1) | 0.50 (12.7) | OR^3-924 | 0.33 (0.15) |
| 2" | OS-200-*-*^ | 1.91 (48.5) | 0.50 (12.7) | OR^3-928 | 0.43 (0.20) |
| 2-1/2" | OS-250-*-*^ | 2.36 (59.9) | 1.00 (25.4) | OR^2-232 | 1.17 (0.53) |
| 3" | OS-300-*-*^ | 2.88 (73.2) | 1.00 (25.4) | OR^2-237 | 1.68 (0.77) |

*** Materials:**

Standard, No Designation = All Carbon Steel, Clear Zinc Plated (Cr6 Free).

SS = Stainless Steel, Type 316.

^ O-Ring Type:

Standard, No Designation = Buna Nitrile.

V = Viton.

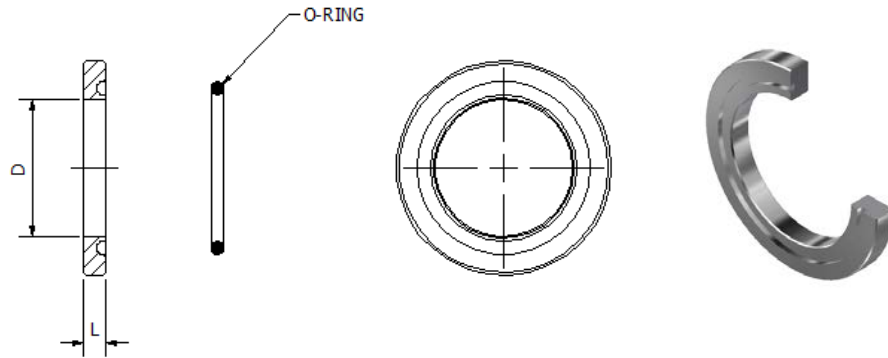
Ordering Example: OS-200-SS-V

* Insert Material

^ Insert O-Ring Type

SAE 3000 PSI O-Ring Spacer for Retain Ring Pipe to Hose End

SAE J518 Code 61 (ISO 6162-1)



OSH – O-Ring Spacer for Retain Ring Pipe to Hose End

| Size | Part Number | Dimensions in (mm) | | O-Ring (Buna) Part Number | WT lbs (kg) |
|--------|--------------|--------------------|-------------|---------------------------|-------------|
| | | D | L | | |
| 1/2" | OSH-050-*^-^ | 0.55 (14.0) | 0.25 (6.4) | OR^3-909 | 0.04 (0.02) |
| 3/4" | OSH-075-*^-^ | 0.79 (20.1) | 0.25 (6.4) | OR^3-913 | 0.07 (0.03) |
| 1" | OSH-100-*^-^ | 0.91 (23.1) | 0.25 (6.4) | OR^3-916 | 0.08 (0.04) |
| 1-1/4" | OSH-125-*^-^ | 1.18 (30.0) | 0.25 (6.4) | OR^3-918 | 0.09 (0.04) |
| 1-1/2" | OSH-150-*^-^ | 1.54 (39.1) | 0.25 (6.4) | OR^3-924 | 0.12 (0.05) |
| 2" | OSH-200-*^-^ | 1.91 (48.5) | 0.25 (6.4) | OR^3-928 | 0.20 (0.09) |
| 2-1/2" | OSH-250-*^-^ | 2.36 (59.9) | 0.50 (12.7) | OR^2-232 | 0.58 (0.26) |
| 3" | OSH-300-*^-^ | 2.88 (73.2) | 0.50 (12.7) | OR^2-237 | 0.85 (0.39) |

*** Materials:**

Standard, No Designation = All Carbon Steel, Clear Zinc Plated (Cr6 Free).

SS = Stainless Steel, Type 316.

^ O-Ring Type:

Standard, No Designation = Buna Nitrile.

V = Viton.

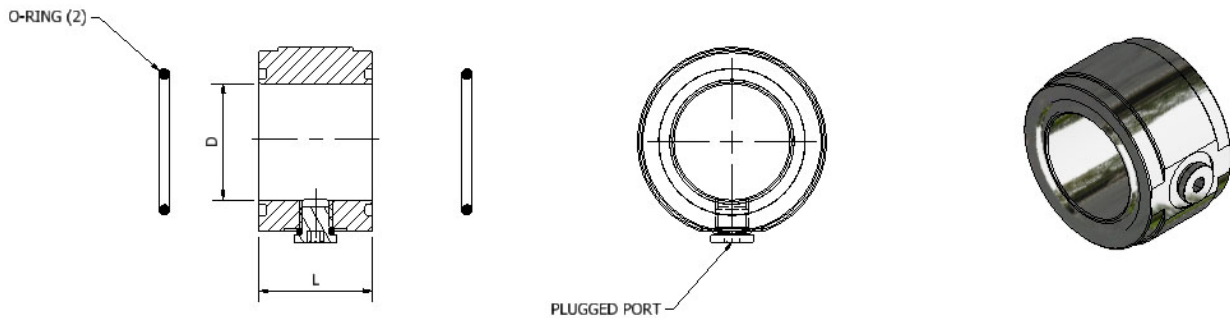
Ordering Example: OSH-200-SS-V

* Insert Material

^ Insert O-Ring Type

SAE 3000 PSI O-Ring Spacer with Pilot Port

SAE J518 Code 61 (ISO 6162-1)



OSP - O-Ring Spacer with Pilot Port for Retain Ring Pipe - 1/2" - 3" Complete with Buna O-Rings (Standard) and #4 SAE Port (Plugged)

| Size | Part Number | Dimensions in (mm) | | O-Rings 1&2 (Buna) Part Number | WT lbs (kg) |
|--------|--------------|--------------------|-------------|--------------------------------|-------------|
| | | D | L | | |
| 1/2" | OSP-050-*^-^ | 0.55 (14.0) | 1.50 (38.1) | OR^-3-909 | 0.37 (0.17) |
| 3/4" | OSP-075-*^-^ | 0.79 (20.1) | 1.50 (38.1) | OR^-3-913 | 0.64 (0.29) |
| 1" | OSP-100-*^-^ | 0.91 (23.1) | 1.50 (38.1) | OR^-3-916 | 0.78 (0.35) |
| 1-1/4" | OSP-125-*^-^ | 1.18 (30.0) | 1.50 (38.1) | OR^-3-918 | 0.86 (0.39) |
| 1-1/2" | OSP-150-*^-^ | 1.54 (39.1) | 1.50 (38.1) | OR^-3-924 | 1.40 (0.64) |
| 2" | OSP-200-*^-^ | 1.91 (48.5) | 1.50 (38.1) | OR^-3-928 | 1.49 (0.68) |
| 2-1/2" | OSP-250-*^-^ | 2.36 (59.9) | 1.50 (38.1) | OR^-2-232 | 1.98 (0.90) |
| 3" | OSP-300-*^-^ | 2.88 (73.2) | 1.50 (38.1) | OR^-2-237 | 2.50 (1.13) |

*** Materials:**

Standard, No Designation = All Carbon Steel, Clear Zinc Plated (Cr6 Free).
 SS = Stainless Steel, Type 316.

Ordering Example: OSP-200-SS-V

* Insert Material _____

^ Insert O-Ring Type _____

^ O-Ring Type:

Standard, No Designation = Buna Nitrile.
 V = Viton.

OSPM - O-Ring Spacer with Metric Pilot Port for Retain Ring Pipe - 1/2" - 3" Complete with Buna O-Rings (Standard) and G1/8 Port (Plugged)

| Size | Part Number | Dimensions in (mm) | | O-Rings 1&2 (Buna) Part Number | WT lbs (kg) |
|--------|---------------|--------------------|-------------|--------------------------------|-------------|
| | | D | L | | |
| 1/2" | OSPM-050-*^-^ | 0.55 (14.0) | 1.50 (38.1) | OR^-3-909 | 0.37 (0.17) |
| 3/4" | OSPM-075-*^-^ | 0.79 (20.1) | 1.50 (38.1) | OR^-3-913 | 0.64 (0.29) |
| 1" | OSPM-100-*^-^ | 0.91 (23.1) | 1.50 (38.1) | OR^-3-916 | 0.78 (0.35) |
| 1-1/4" | OSPM-125-*^-^ | 1.18 (30.0) | 1.50 (38.1) | OR^-3-918 | 0.86 (0.39) |
| 1-1/2" | OSPM-150-*^-^ | 1.54 (39.1) | 1.50 (38.1) | OR^-3-924 | 1.40 (0.64) |
| 2" | OSPM-200-*^-^ | 1.91 (48.5) | 1.50 (38.1) | OR^-3-928 | 1.49 (0.68) |
| 2-1/2" | OSPM-250-*^-^ | 2.36 (59.9) | 1.50 (38.1) | OR^-2-232 | 1.98 (0.90) |
| 3" | OSPM-300-*^-^ | 2.88 (73.2) | 1.50 (38.1) | OR^-2-237 | 2.50 (1.13) |

*** Materials:**

Standard, No Designation = All Carbon Steel, Clear Zinc Plated (Cr6 Free).
 SS = Stainless Steel, Type 316.

Ordering Example: OSPM-200-SS-V

* Insert Material _____

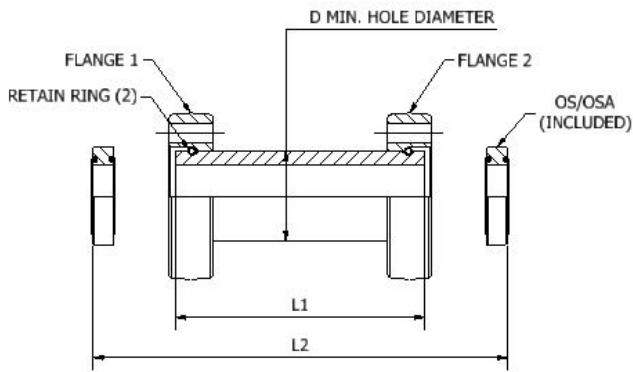
^ Insert O-Ring Type _____

^ O-Ring Type:

Standard, No Designation = Buna Nitrile.
 V = Viton.

SAE 3000 PSI Retain Ring Flange Bulkhead

SAE J518 Code 61 (ISO 6162-1)



Complete Assembly Consists Of:

- One (1) retain ring flange bulkhead body
- Two (2) retain ring flanges
- Two (2) retain rings
- Two (2) o-ring spacers

To be Ordered Separately:

- Bolt Kit (See Page G25)

A/RFBH - Retain Ring Flange Bulkhead

| Size | Complete Part Number | Dimensions in (mm) | | | Assembly WT lbs (kg) | Body Only Part Number | Body Only WT lbs (kg) | Working Pressure PSI (bar) |
|--------|---------------------------|--------------------|------------|-----------|----------------------|-----------------------|-----------------------|----------------------------|
| | | L1 | L2 | D | | | | |
| 1/2" | A/RFBH-050-FC34-FC34-*^-^ | 5.69 (144.6) | 6.69 (170) | 1.02 (26) | 2.16 (0.98) | RFBH-050-*^-^ | 1.08 (0.49) | 5000 (350) |
| 3/4" | A/RFBH-075-FC34-FC34-*^-^ | 5.69 (144.6) | 6.69 (170) | 1.42 (36) | 3.36 (1.52) | RFBH-075-*^-^ | 2.00 (0.91) | 5000 (350) |
| 1" | A/RFBH-100-FC34-FC34-*^-^ | 5.69 (144.6) | 6.69 (170) | 1.54 (39) | 3.45 (1.56) | RFBH-100-*^-^ | 1.80 (0.82) | 5000 (350) |
| 1-1/4" | A/RFBH-125-FC34-FC34-*^-^ | 6.09 (154.6) | 7.09 (180) | 1.81 (46) | 4.92 (2.23) | RFBH-125-*^-^ | 2.60 (1.18) | 4000 (280) |
| 1-1/2" | A/RFBH-150-FC34-FC34-*^-^ | 6.09 (154.6) | 7.09 (180) | 2.20 (56) | 6.67 (3.03) | RFBH-150-*^-^ | 3.31 (1.50) | 4000 (280) |
| 2" | A/RFBH-200-FC34-FC34-*^-^ | 7.27 (184.6) | 8.27 (210) | 2.60 (66) | 9.70 (4.40) | RFBH-200-*^-^ | 4.80 (2.18) | 4000 (280) |
| 2-1/2" | A/RFBH-250-FC34-FC34-*^-^ | 6.66 (169.2) | 8.66 (220) | 3.15 (80) | 14.80 (6.71) | RFBH-250-*^-^ | 7.00 (3.18) | 3000 (210) |
| 3" | A/RFBH-300-FC34-FC34-*^-^ | 7.45 (189.2) | 9.45 (240) | 3.82 (97) | 22.48 (10.20) | RFBH-300-*^-^ | 10.30 (4.67) | 3000 (210) |

Flange Options:

FC34 = SAE 3000 PSI Code 61 (ISO 6162-1) Clearance

FT34 = SAE 3000 PSI Code 61 (ISO 6162-1) UNC Threaded

FTM34 = SAE 3000 PSI Code 61 (ISO 6162-1) Metric Threaded

Materials

No Designation = All Carbon Steel, Clear Zinc Plated (Cr6 Free).

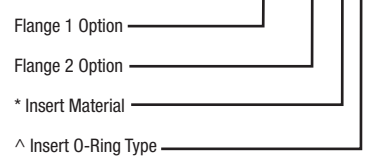
SS = Stainless Steel, Type 316.

^ O-Ring Type:

No Designation = Buna Nitrile.

V = Viton.

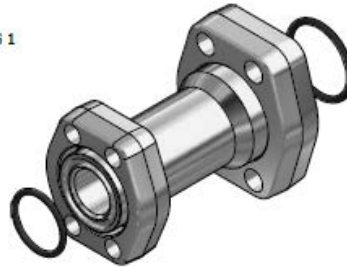
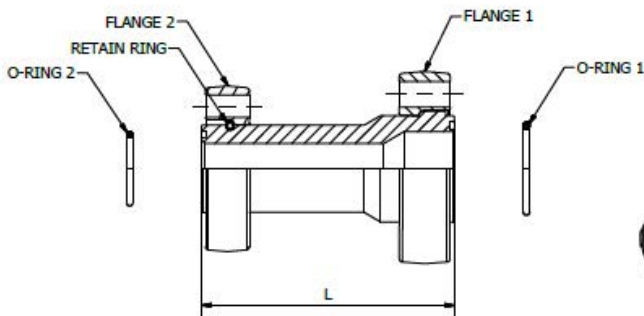
Ordering Example: A/RFBH-050-FC34-FC34-SS-V



3D step models available upon request

SAE 3000 PSI Retain Ring Flange Concentric Reducer Assembly

SAE J518 Code 61 (ISO 6162-1)



Complete Assembly Consists Of:

- One (1) Concentric Reducer Body
- Two (2) Retain Ring Flanges
- One (1) Retain Ring
- Two (2) Buna O-Rings (Standard)

To be Ordered Separately:

- Bolt Kit (See Page G25)

A/CR – Retain Ring Flange Concentric Reducer Assembly

| Size | Complete Assembly Part Number | Dimensions in (mm) | O-Ring 1 (Buna) Part Number | O-Ring 2 (Buna) Part Number | Assembly WT lbs (kg) | Body Only Part Number | Body Only WT lbs (kg) | Working Pressure PSI (bar) |
|-----------------|-------------------------------|--------------------|-----------------------------|-----------------------------|----------------------|-----------------------|-----------------------|----------------------------|
| | | L | | | | | | |
| 3/4" x 1/2" | A/CR-075x050-FC34-FC34-*^ | 3.72 (94.5) | OR^~3-913 | OR^~3-909 | 1.84 (0.83) | CR-075x050-*^ | 0.88 (0.40) | 5000 (350) |
| 1" x 1/2" | A/CR-100x050-FC34-FC34-*^ | 3.72 (94.5) | OR^~3-916 | OR^~3-909 | 2.06 (0.93) | CR-100x050-*^ | 0.97 (0.44) | 5000 (350) |
| 1" x 3/4" | A/CR-100x075-FC34-FC34-*^ | 4.50 (114.3) | OR^~3-916 | OR^~3-913 | 2.49 (1.13) | CR-100x075-*^ | 1.49 (0.68) | 5000 (350) |
| 1-1/4" x 3/4" | A/CR-125x075-FC34-FC34-*^ | 4.50 (114.3) | OR^~3-918 | OR^~3-913 | 3.11 (1.41) | CR-125x075-*^ | 1.71 (0.78) | 4000 (280) |
| 1-1/4" x 1" | A/CR-125x100-FC34-FC34-*^ | 4.50 (114.3) | OR^~3-918 | OR^~3-916 | 3.43 (1.56) | CR-125x100-*^ | 1.90 (0.86) | 4000 (280) |
| 1-1/2" x 1" | A/CR-150x100-FC34-FC34-*^ | 4.50 (114.3) | OR^~3-924 | OR^~3-916 | 4.04 (1.86) | CR-150x100-*^ | 2.11 (0.96) | 4000 (280) |
| 1-1/2" x 1 1/4" | A/CR-150x125-FC34-FC34-*^ | 5.26 (133.6) | OR^~3-924 | OR^~3-918 | 4.81 (2.18) | CR-150x125-*^ | 2.56 (1.16) | 4000 (280) |
| 2" x 1 1/4" | A/CR-200x125-FC34-FC34-*^ | 5.26 (133.6) | OR^~3-928 | OR^~3-918 | 6.42 (2.91) | CR-200x125-*^ | 3.50 (1.59) | 4000 (280) |
| 2" x 1 1/2" | A/CR-200x150-FC34-FC34-*^ | 5.26 (133.6) | OR^~3-928 | OR^~3-924 | 7.22 (3.27) | CR-200x150-*^ | 3.74 (1.70) | 4000 (280) |
| 2 1/2" x 1 1/2" | A/CR-250x150-FC34-FC34-*^ | 6.06 (153.9) | OR^~2-232 | OR^~2-924 | 8.01 (3.63) | CR-250x100-*^ | 4.67 (2.12) | 3000 (210) |
| 2 1/2" x 2" | A/CR-250x200-FC34-FC34-*^ | 6.06 (153.9) | OR^~2-232 | OR^~2-928 | 9.72 (4.41) | CR-250x200-*^ | 5.20 (2.36) | 3000 (210) |
| 3" x 2" | A/CR-300x200-FC34-FC34-*^ | 6.98 (177.3) | OR^~2-237 | OR^~2-928 | 14.11 (6.40) | CR-300x200-*^ | 7.70 (3.49) | 3000 (210) |
| 3" x 2 1/2" | A/CR-300x250-FC34-FC34-*^ | 6.98 (177.3) | OR^~2-237 | OR^~2-232 | 15.39 (6.98) | CR-300x250-*^ | 8.50 (3.86) | 3000 (210) |
| 4" x 2 1/2" | A/CR-400x250-FC34-FC34-*^ | 7.76 (197.1) | OR^~2-241 | OR^~2-232 | 22.20 (10.07) | CR-400x250-*^ | 14.10 (6.40) | 500 (35) |
| 4" x 3" | A/CR-400x300-FC34-FC34-*^ | 7.76 (197.1) | OR^~2-241 | OR^~2-237 | 24.49 (11.11) | CR-400x300-*^ | 14.50 (6.58) | 500 (35) |

Flange Options:

FC34 = SAE 3000 PSI Code 61 (ISO 6162-1) Clearance

FT34 = SAE 3000 PSI Code 61 (ISO 6162-1) UNC Threaded

FTM34 = SAE 3000 PSI Code 61 (ISO 6162-1) Metric Threaded

Materials

No Designation = All Carbon Steel, Clear Zinc Plated (Cr6 Free).

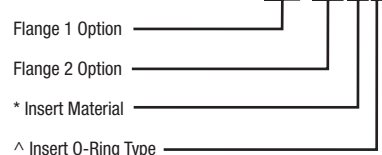
SS = Stainless Steel, Type 316.

^ O-Ring Type:

No Designation = Buna Nitrile.

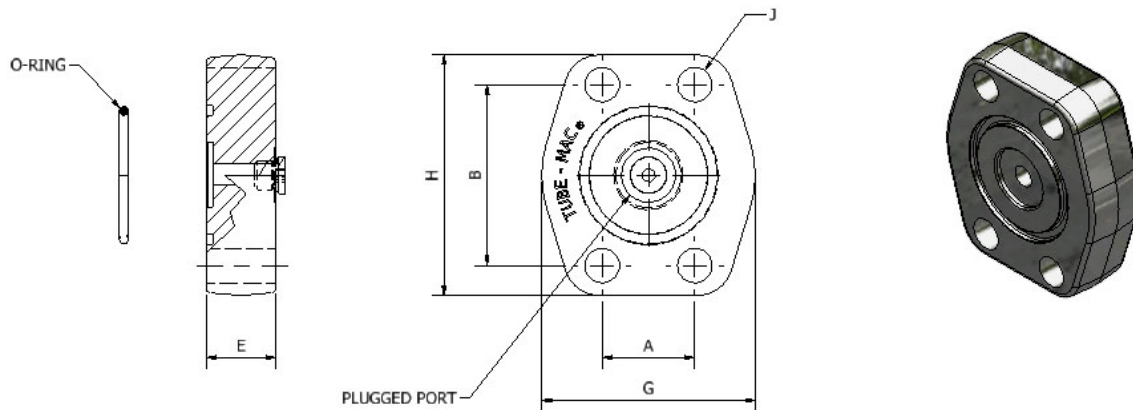
V = Viton.

Ordering Example: A/CR-200x125-FC34-FC34-SS-V



SAE 3000 PSI Blanking Flange O-Ring Face with Clearance Holes

SAE J518 Code 61 (ISO 6162-1)



BF034 – Blanking Flange O-Ring Face with Clearance Holes and #4 SAE Port (Plugged), NPS

| Size | Blanking Flange Part Number | Dimensions (in) | | | | | Bolt Size J | O-Ring (Buna) Part Number | Working Pressure PSI (bar) | WT lbs (kg) |
|--------|-----------------------------|-----------------|------|------|------|------|-------------|---------------------------|----------------------------|--------------|
| | | A | B | G | H | E | | | | |
| 1/2" | BF034-050-*^-^ | 0.69 | 1.50 | 1.88 | 2.23 | 0.81 | 5/16" | OR^-2-210 | 5000 (350) | 0.64 (0.29) |
| 3/4" | BF034-075-*^-^ | 0.88 | 1.88 | 2.06 | 2.56 | 0.82 | 3/8" | OR^-2-214 | 5000 (350) | 0.80 (0.36) |
| 1" | BF034-100-*^-^ | 1.03 | 2.06 | 2.31 | 2.76 | 0.87 | 3/8" | OR^-2-219 | 5000 (350) | 1.10 (0.50) |
| 1-1/4" | BF034-125-*^-^ | 1.19 | 2.31 | 2.88 | 3.11 | 0.91 | 7/16" | OR^-2-222 | 4000 (280) | 1.84 (0.83) |
| 1-1/2" | BF034-150-*^-^ | 1.41 | 2.75 | 3.25 | 3.66 | 1.06 | 1/2" | OR^-2-225 | 4000 (280) | 2.57 (1.17) |
| 2" | BF034-200-*^-^ | 1.69 | 3.06 | 3.81 | 4.02 | 1.22 | 1/2" | OR^-2-228 | 4000 (280) | 3.89 (1.76) |
| 2-1/2" | BF034-250-*^-^ | 2.00 | 3.50 | 4.28 | 4.49 | 1.40 | 1/2" | OR^-2-232 | 3000 (210) | 5.98 (2.71) |
| 3" | BF034-300-*^-^ | 2.44 | 4.19 | 5.16 | 5.28 | 1.67 | 5/8" | OR^-2-237 | 3000 (210) | 10.00 (4.54) |

BFOM34 – Blanking Flange O-Ring Face with Clearance Holes and G1/4 BSPP Port (Plugged), Metric

| Size | Blanking Flange Part Number | Dimensions (mm) | | | | | Bolt Size J | O-Ring (Buna) Part Number | Working Pressure PSI (bar) | WT lbs (kg) |
|--------|-----------------------------|-----------------|-------|-------|-------|------|-------------|---------------------------|----------------------------|--------------|
| | | A | B | G | H | E | | | | |
| 1/2" | BFOM34-050-*^-^ | 17.5 | 38.1 | 47.8 | 56.6 | 20.6 | M8 | OR^-2-210 | 5000 (350) | 0.64 (0.29) |
| 3/4" | BFOM34-075-*^-^ | 22.4 | 47.8 | 52.3 | 65.0 | 20.8 | M10 | OR^-2-214 | 5000 (350) | 0.80 (0.36) |
| 1" | BFOM34-100-*^-^ | 26.2 | 52.3 | 58.7 | 70.1 | 22.1 | M10 | OR^-2-219 | 5000 (350) | 1.10 (0.50) |
| 1-1/4" | BFOM34-125-*^-^ | 30.2 | 58.7 | 73.2 | 79.0 | 23.1 | M10 | OR^-2-222 | 4000 (280) | 1.84 (0.83) |
| 1-1/2" | BFOM34-150-*^-^ | 35.8 | 69.9 | 82.6 | 93.0 | 26.9 | M12 | OR^-2-225 | 4000 (280) | 2.59 (1.17) |
| 2" | BFOM34-200-*^-^ | 42.9 | 77.7 | 96.8 | 102.1 | 31.0 | M12 | OR^-2-228 | 4000 (280) | 3.89 (1.76) |
| 2-1/2" | BFOM34-250-*^-^ | 50.8 | 88.9 | 108.7 | 114.0 | 35.6 | M12 | OR^-2-232 | 3000 (210) | 5.98 (2.71) |
| 3" | BFOM34-300-*^-^ | 62.0 | 106.4 | 131.1 | 134.1 | 42.4 | M16 | OR^-2-237 | 3000 (210) | 10.00 (4.54) |

*** Materials:**

Standard, No Designation = All Carbon Steel, Clear Zinc Plated (Cr6 Free).
SS = Stainless Steel, Type 316.

^ O-Ring Type:

Standard, No Designation = Buna Nitrile.
V = Viton.

Ordering Example: BF034-200-SS-V

* Insert Material _____
^ Insert O-Ring Type _____

3D step models available upon request

Introduction

Technical Data

Pipe Selection Guide

16 bar, 90° Flare

ANSI 150#, 300# Flare

SAE 1000, 70 bar

SAE 3000, 210 bar

SAE 6000, 420 bar

SAE 10000,

ISO 6164, 400 bar

Clamps

Valves, Ball and Check

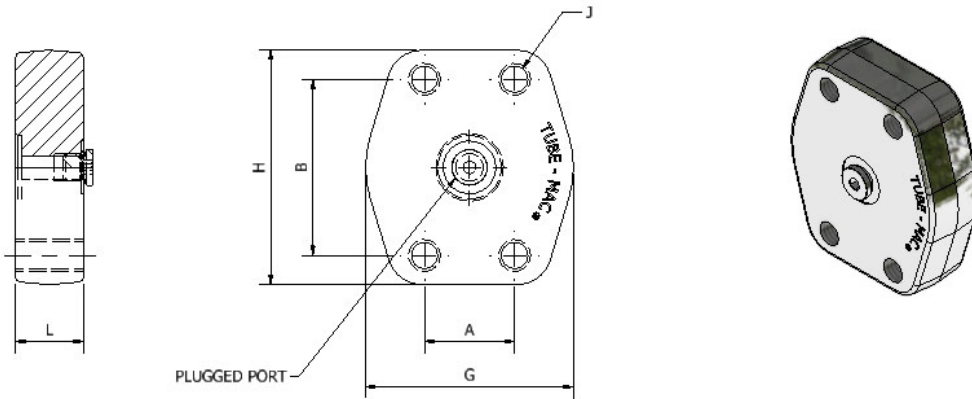
Machines

G85

SAE 3000 PSI Blanking Flange

Flat Face with Threaded Holes

SAE J518 Code 61 (ISO 6162-1)



BFF34 – Blanking Flange Flat Face with #4 SAE Port (Plugged) and UNC Threaded Holes, NPS

| Size | Blanking Flange Part Number | Dimensions (in) | | | | | Thread UNC-2B J | Working Pressure PSI (bar) | WT lbs (kg) |
|--------|-----------------------------|-----------------|------|------|------|------|-----------------|----------------------------|--------------|
| | | A | B | G | H | E | | | |
| 1/2" | BFF34-050-*^-^ | 0.69 | 1.50 | 1.88 | 2.23 | 0.81 | 5/16"-18 | 5000 (350) | 0.64 (0.29) |
| 3/4" | BFF34-075-*^-^ | 0.88 | 1.88 | 2.06 | 2.56 | 0.82 | 3/8"-16 | 5000 (350) | 0.80 (0.36) |
| 1" | BFF34-100-*^-^ | 1.03 | 2.06 | 2.31 | 2.76 | 0.87 | 3/8"-16 | 5000 (350) | 1.10 (0.50) |
| 1-1/4" | BFF34-125-*^-^ | 1.19 | 2.31 | 2.88 | 3.11 | 0.91 | 7/16"-14 | 4000 (280) | 1.84 (0.83) |
| 1-1/2" | BFF34-150-*^-^ | 1.41 | 2.75 | 3.25 | 3.66 | 1.06 | 1/2"-13 | 4000 (280) | 2.57 (1.17) |
| 2" | BFF34-200-*^-^ | 1.69 | 3.06 | 3.81 | 4.02 | 1.22 | 1/2"-13 | 4000 (280) | 3.89 (1.76) |
| 2-1/2" | BFF34-250-*^-^ | 2.00 | 3.50 | 4.28 | 4.49 | 1.40 | 1/2"-13 | 3000 (210) | 6.23 (2.83) |
| 3" | BFF34-300-*^-^ | 2.44 | 4.19 | 5.16 | 5.28 | 1.67 | 5/8"-11 | 3000 (210) | 10.00 (4.54) |

BFFM34 – Blanking Flange Flat Face with G1/4 BSPP Port (Plugged) and Threaded Holes, Metric

| Size | Blanking Flange Part Number | Dimensions (mm) | | | | | Thread J | Working Pressure PSI (bar) | WT lbs (kg) |
|--------|-----------------------------|-----------------|-------|-------|-------|------|----------|----------------------------|--------------|
| | | A | B | G | H | E | | | |
| 1/2" | BFFM34-050-*^-^ | 17.5 | 38.1 | 47.8 | 56.6 | 20.6 | M8X1.25 | 5000 (350) | 0.64 (0.29) |
| 3/4" | BFFM34-075-*^-^ | 22.4 | 47.8 | 52.3 | 65.0 | 20.8 | M10X1.50 | 5000 (350) | 0.80 (0.36) |
| 1" | BFFM34-100-*^-^ | 26.2 | 52.3 | 58.7 | 70.1 | 22.1 | M10X1.50 | 5000 (350) | 1.10 (0.50) |
| 1-1/4" | BFFM34-125-*^-^ | 30.2 | 58.7 | 73.2 | 79.0 | 23.1 | M10X1.50 | 4000 (280) | 1.84 (0.83) |
| 1-1/2" | BFFM34-150-*^-^ | 35.8 | 69.9 | 82.6 | 93.0 | 26.9 | M12X1.75 | 4000 (280) | 2.57 (1.17) |
| 2" | BFFM34-200-*^-^ | 42.9 | 77.7 | 96.8 | 102.1 | 31.0 | M12X1.75 | 4000 (280) | 3.89 (1.76) |
| 2-1/2" | BFFM34-250-*^-^ | 50.8 | 88.9 | 108.7 | 114.0 | 35.6 | M12X1.75 | 3000 (210) | 6.23 (2.83) |
| 3" | BFFM34-300-*^-^ | 62.0 | 106.4 | 131.1 | 134.1 | 42.4 | M16X2.00 | 3000 (210) | 10.00 (4.54) |

*** Materials:**

Standard, No Designation = Carbon Steel, Clear Zinc Plated (Cr6 Free).
 HDG = Carbon Steel, Hot Dip Galvanized.
 SS = Stainless Steel, Type 316.

Ordering Example: BFF34-200-SS

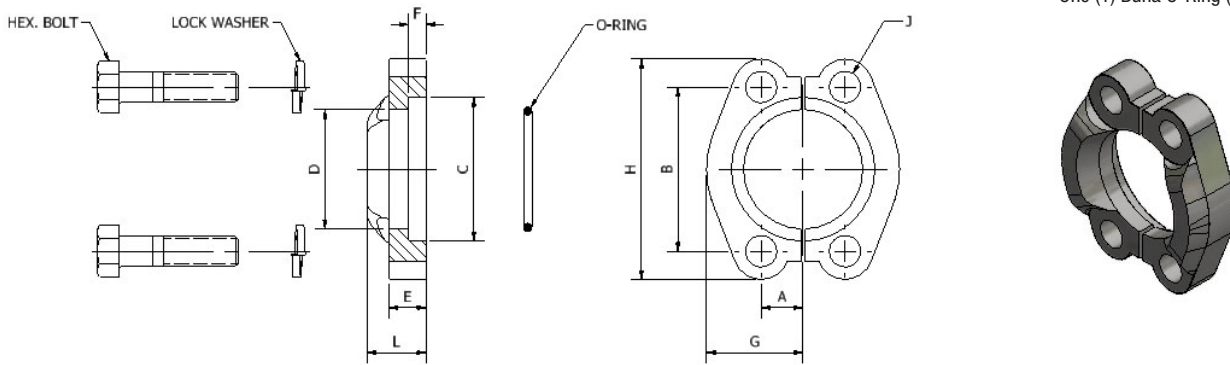
* Insert Material _____

SAE 3000 PSI Split Flange Kits

SAE J518 Code 61 (ISO 6162-1)

Complete Flange Set Includes:

- One (1) Split Flange (2 Halves)
- Four (4) Hex Head Bolts
- Four (4) Lock Washers
- One (1) Buna O-Ring (Standard)



SFK34 - Split Flange Kit, NPS

| Size | Complete Assembly Part Number | Dimensions (in) | | | | | | | | | Drill Dia. (in) J | HHCS Min. Grade 5 UNC-2A | O-Ring (Buna) Part Number | WT (lbs) | Working Pressure PSI (bar) |
|--------|-------------------------------|-----------------|------|------|------|------|------|------|------|------|-------------------|--------------------------|---------------------------|----------|----------------------------|
| | | A | B | C | D | E | F | G | H | L | | | | | |
| 1/2" | SFK34-050-*^-^ | 0.34 | 1.50 | 1.21 | 0.96 | 0.51 | 0.24 | 0.90 | 2.12 | 0.75 | 0.34 | 5/16"-18 x 1.25 | OR^-2-210 | 0.42 | 5000 (350) |
| 3/4" | SFK34-075-*^-^ | 0.44 | 1.88 | 1.53 | 1.26 | 0.55 | 0.24 | 1.03 | 2.56 | 0.87 | 0.42 | 3/8"-16 x 1.25 | OR^-2-214 | 0.51 | 5000 (350) |
| 1" | SFK34-100-*^-^ | 0.51 | 2.06 | 1.78 | 1.51 | 0.63 | 0.29 | 1.15 | 2.75 | 0.94 | 0.42 | 3/8"-16 x 1.25 | OR^-2-219 | 0.65 | 5000 (350) |
| 1-1/4" | SFK34-125-*^-^ | 0.59 | 2.31 | 2.03 | 1.72 | 0.55 | 0.29 | 1.44 | 3.12 | 0.87 | 0.47 | 7/16"-14 x 1.50 | OR^-2-222 | 0.89 | 4000 (280) |
| 1-1/2" | SFK34-150-*^-^ | 0.70 | 2.75 | 2.41 | 2.00 | 0.63 | 0.29 | 1.62 | 3.69 | 0.98 | 0.53 | 1/2"-13 x 1.50 | OR^-2-225 | 1.44 | 4000 (280) |
| 2" | SFK34-200-*^-^ | 0.84 | 3.06 | 2.84 | 2.47 | 0.63 | 0.36 | 1.90 | 4.00 | 1.02 | 0.53 | 1/2"-13 x 1.50 | OR^-2-228 | 1.56 | 4000 (280) |
| 2-1/2" | SFK34-250-*^-^ | 1.00 | 3.50 | 3.34 | 2.95 | 0.75 | 0.36 | 2.14 | 4.50 | 1.50 | 0.53 | 1/2"-13 x 1.75 | OR^-2-232 | 2.13 | 3000 (210) |
| 3" | SFK34-300-*^-^ | 1.22 | 4.19 | 4.03 | 3.58 | 0.87 | 0.36 | 2.58 | 5.31 | 1.61 | 0.66 | 5/8"-11 x 1.75 | OR^-2-237 | 3.65 | 3000 (210) |

SFKM34 - Split Flange Kit Metric

| Size | Complete Assembly Part Number | Dimensions (mm) | | | | | | | | | Drill Dia. (mm) J | HHCS Min. 10.9 | O-Ring (Nitrile) Part Number | WT (kg) | Working Pressure PSI (bar) |
|--------|-------------------------------|-----------------|-------|-------|------|------|-----|------|-------|------|-------------------|----------------|------------------------------|---------|----------------------------|
| | | A | B | C | D | E | F | G | H | L | | | | | |
| 1/2" | SFKM34-050-*^-^ | 8.6 | 38.1 | 30.7 | 24.4 | 13.0 | 6.1 | 22.9 | 53.8 | 19.1 | 8.6 | M8 x 30 | OR^-2-210 | 0.19 | 5000 (350) |
| 3/4" | SFKM34-075-*^-^ | 11.2 | 47.8 | 38.9 | 32.0 | 14.0 | 6.1 | 26.2 | 65.0 | 22.1 | 10.7 | M10 x 30 | OR^-2-214 | 0.23 | 5000 (350) |
| 1" | SFKM34-100-*^-^ | 13.0 | 52.3 | 45.2 | 38.4 | 16.0 | 7.4 | 29.2 | 69.9 | 23.9 | 10.7 | M10 x 30 | OR^-2-219 | 0.30 | 5000 (350) |
| 1-1/4" | SFKM34-125-*^-^ | 15.0 | 58.7 | 51.6 | 43.7 | 14.0 | 7.4 | 36.6 | 79.2 | 22.1 | 11.9 | M10 x 40 | OR^-2-222 | 0.40 | 4000 (280) |
| 1-1/2" | SFKM34-150-*^-^ | 17.8 | 69.9 | 61.2 | 50.8 | 16.0 | 7.4 | 41.1 | 93.7 | 24.9 | 13.5 | M12 x 40 | OR^-2-225 | 0.65 | 4000 (280) |
| 2" | SFKM34-200-*^-^ | 21.3 | 77.7 | 72.1 | 62.7 | 16.0 | 9.1 | 48.3 | 101.6 | 25.9 | 13.5 | M12 x 40 | OR^-2-228 | 0.71 | 4000 (280) |
| 2-1/2" | SFKM34-250-*^-^ | 25.4 | 88.9 | 84.8 | 74.9 | 19.1 | 9.1 | 54.4 | 114.3 | 38.1 | 13.5 | M12 x 45 | OR^-2-232 | 0.97 | 3000 (210) |
| 3" | SFKM34-300-*^-^ | 31.0 | 106.4 | 102.4 | 90.9 | 22.1 | 9.1 | 65.5 | 134.9 | 40.9 | 16.8 | M16 x 45 | OR^-2-237 | 1.66 | 3000 (210) |

*** Materials:**

Standard, No Designation = All Carbon Steel, Clear Zinc Plated (Cr6 Free).

SS = Stainless Steel, Type 316.

^ O-Ring Type:

Standard, No Designation = Buna Nitrile.

V = Viton.

Ordering Example: SFK34-100-SS-V

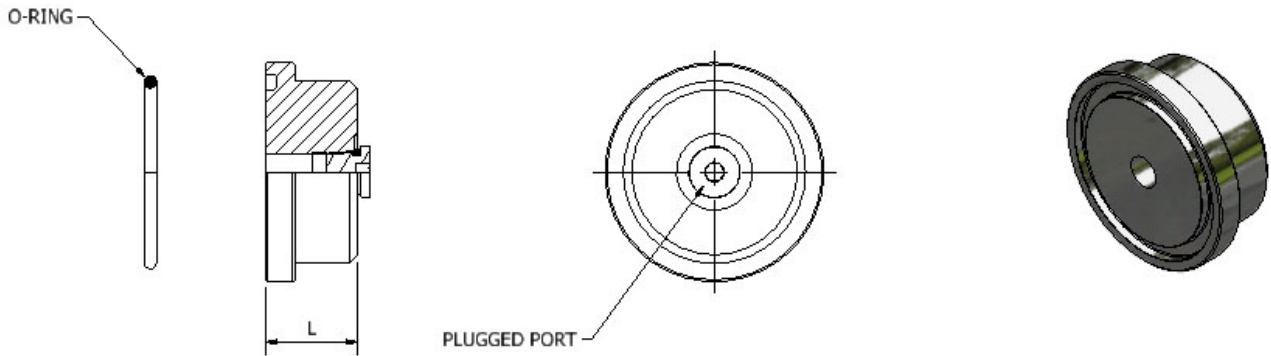
* Insert Material

^ Insert O-Ring Type

3D step models available upon request

SAE 3000 PSI Split Flange Plugs

SAE J518 Code 61 (ISO 6162-1)



SFP34 - Complete with Buna O-Ring (Standard) and #4 SAE Port (Plugged), NPS

| Size | Blanking Flange Part Number | Dimensions (in) | O-Ring (Buna) Part Number | Working Pressure PSI (bar) | WT lbs (kg) |
|--------|-----------------------------|-----------------|---------------------------|----------------------------|-------------|
| | | L | | | |
| 1/2" | SFP34-050-^ | 0.75 | OR^2-210 | 5000 (350) | 0.13 (0.06) |
| 3/4" | SFP34-075-^ | 0.88 | OR^2-214 | 5000 (350) | 0.28 (0.13) |
| 1" | SFP34-100-^ | 1.00 | OR^2-219 | 5000 (350) | 0.50 (0.23) |
| 1-1/4" | SFP34-125-^ | 0.88 | OR^2-222 | 4000 (280) | 0.57 (0.26) |
| 1-1/2" | SFP34-150-^ | 1.00 | OR^2-225 | 4000 (280) | 0.91 (0.41) |
| 2" | SFP34-200-^ | 1.00 | OR^2-228 | 4000 (280) | 1.40 (0.64) |
| 2-1/2" | SFP34-250-^ | 1.00 | OR^2-232 | 3000 (210) | 2.00 (0.91) |
| 3" | SFP34-300-^ | 1.00 | OR^2-237 | 3000 (210) | 2.90 (1.32) |

SFPM34 - Complete with Nitrile O-Ring (Standard) and G1/8 BSPP Port (Plugged), Metric

| Size | Blanking Flange Part Number | Dimensions (mm) | O-Ring (Nitrile) Part Number | Working Pressure PSI (bar) | WT (kg) |
|--------|-----------------------------|-----------------|------------------------------|----------------------------|-------------|
| | | L | | | |
| 1/2" | SFPM34-050-^ | 19.1 | OR^2-210 | 5000 (350) | 0.13 (0.06) |
| 3/4" | SFPM34-075-^ | 22.4 | OR^2-214 | 5000 (350) | 0.28 (0.13) |
| 1" | SFPM34-100-^ | 25.4 | OR^2-219 | 5000 (350) | 0.50 (0.23) |
| 1-1/4" | SFPM34-125-^ | 22.4 | OR^2-222 | 4000 (280) | 0.57 (0.26) |
| 1-1/2" | SFPM34-150-^ | 25.4 | OR^2-225 | 4000 (280) | 0.91 (0.41) |
| 2" | SFPM34-200-^ | 25.4 | OR^2-228 | 4000 (280) | 1.40 (0.64) |
| 2-1/2" | SFPM34-250-^ | 25.4 | OR^2-232 | 3000 (210) | 2.00 (0.91) |
| 3" | SFPM34-300-^ | 25.4 | OR^2-237 | 3000 (210) | 2.90 (1.32) |

^ O-Ring Type:

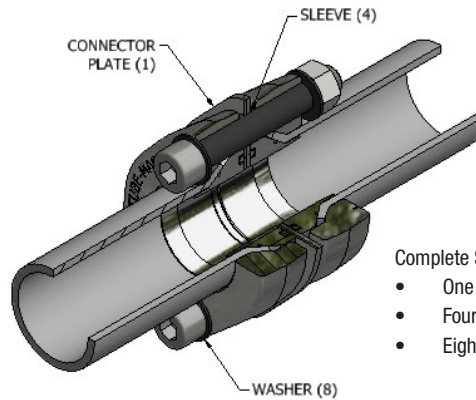
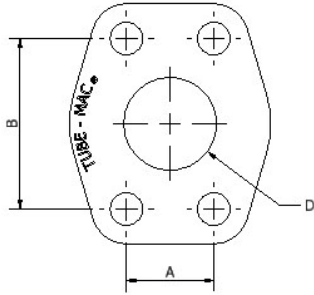
Standard, No Designation = Buna Nitrile.
V = Viton.

Ordering Example: SFP34-200-V

^ Insert O-Ring Type _____

SAE 3000 PSI Non-Conductive Connector Plate with Bolt Isolation

SAE J518 Code 61 (ISO 6162-1)



Complete Set Includes:

- One (1) Non-Conductive Plate
- Four (4) Sleeves for Bolts
- Eight (8) Washers for Bolts



| NCCP – Non-Conductive Connector Plate | | | | | | |
|---------------------------------------|-------------|--------------------|--------------|--------------|-------------|----------------|
| Size | Part Number | Dimensions in (mm) | | | | WT lbs (kg) |
| | | A | B | D | E | |
| 1/2" | NCCP34-050 | 0.69 (17.53) | 1.50 (38.10) | 0.50 (12.70) | 0.12 (3.05) | 0.09 (0.04) |
| 3/4" | NCCP34-075 | 0.88 (22.35) | 1.88 (47.75) | 0.75 (19.05) | 0.12 (3.05) | 0.12 (0.05) |
| 1" | NCCP34-100 | 1.03 (26.16) | 2.06 (52.32) | 0.94 (23.88) | 0.12 (3.05) | 0.14 (0.06) |
| 1-1/4" | NCCP34-125 | 1.19 (30.23) | 2.31 (58.67) | 1.25 (31.75) | 0.12 (3.05) | 0.20 (0.09) |
| 1-1/2" | NCCP34-150 | 1.41 (35.81) | 2.75 (69.85) | 1.50 (38.10) | 0.12 (3.05) | 0.28 (0.13) |
| 2" | NCCP34-200 | 1.69 (42.93) | 3.06 (77.72) | 1.94 (49.28) | 0.12 (3.05) | 0.33 (0.15) |

Notes:



















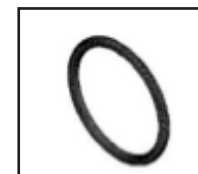

Flanges, Cone Inserts and Bolts Sold Separately
Must use Two (2) O-Ring Face Cone Inserts

- Introduction
- Technical Data
- Pipe Selection Guide
- 16 bar, 90° Flare
- ANSI 150#, 300# Flare
- SAE 1000, 70 bar
- SAE 3000, 210 bar
- SAE 6000, 420 bar
- SAE 10000,
- ISO 6164, 400 bar
- Clamps
- Valves, Ball and Check
- Machines

SAE 6000 PSI, 420 bar Reference Guide

| | | | | | |
|--|--|--|--|---|--|
|  |  |  |  |  |  |
| <p>Flare Flange Dimensions</p> <p>Page H1</p> | <p>Flare Flange Clearance Holes NPS FFC64 Page H2</p> | <p>Flare Flange Clearance Holes Metric FFCM64 Page H3</p> | <p>Flare Flange Threaded Holes NPS FFT64 Page H4</p> | <p>Flare Flange Threaded Holes Metric FFTM64 Page H5</p> | <p>Flare Flange Reducing Clearance Holes NPS FFCR64 Page H6</p> |
|  |  |  |  |  |  |
| <p>Flare Flange Reducing Threaded Holes NPS FFTR64 Page H7</p> | <p>Flare Flange Set O-Ring Face Cone Clearance Holes NPS FFC64-CO Page H8</p> | <p>Flare Flange Set O-Ring Face Cone Clearance Holes Metric FFCM64-CO Page H9</p> | <p>Flare Flange Set Flat Face Cone Clearance Holes NPS FFC64-CF Page H11</p> | <p>Flare Flange Set Flat Face Cone Clearance Holes Metric FFCM64-CF Page H12</p> | <p>Flare Flange Set Double Cone Clearance Holes NPS FFC64-CD Page H14</p> |
|  |  |  |  |  |  |
| <p>Flare Flange Set Double Cone Clearance Holes Metric FFCM64-CD Page H15</p> | <p>Flare Flange Cone Inserts NPS CO, CF, CD Page H17</p> | <p>Flare Flange Cone Inserts with Pilot Port NPS COP, CFP Page H18</p> | <p>Flare Flange Cone Inserts Metric CO, CF, CD Page H19</p> | <p>Flare Flange Cone Inserts with Pilot Port Metric COP, CFP Page H21</p> | <p>Flare Flange O-Ring Face Cone Reducer COR Page H23</p> |
|  |  |  |  |  |  |
| <p>Flare Flange Flat Face Cone Reducer CFR Page H24</p> | <p>Retain Ring Flange Dimensions</p> <p>Page H25</p> | <p>Retain Ring Flange Clearance Holes NPS, Metric RFAC64, RFC64 Page H26</p> | <p>Retain Ring Flange Threaded Holes NPS, Metric RFAT64, RFT64, RFTM64 Page H27</p> | <p>Bump Style Butt Weld Adapter Assembly, NPS A/BWA Page H28</p> | <p>Bump Style Butt Weld Adapter Assembly, Metric A/BWA Page H29</p> |
|  |  |  |  |  |  |
| <p>Retain Ring Style Butt Weld Adapter Assembly, NPS A/BWAR Page H32</p> | <p>Retain Ring Style Butt Weld Adapter Assembly, Metric A/BWAR Page G33</p> | <p>BSPP Female Thread Adapter Assembly A/FBTA Page H36</p> | <p>SAE Male Thread Adapter Assembly A/STA Page H37</p> | <p>NPT Male Thread Adapter Assembly A/NTA Page H38</p> | <p>BSPP Male Thread Adapter Assembly A/BTA Page H38</p> |

SAE 6000 PSI, 420 bar Reference Guide

| | | | | | |
|--|---|---|---|--|--|
|  |  |  |  |  |  |
| SAE Female Thread Flange O-Ring Face, Threaded Holes STF064 Page H40 | SAE Female Thread Flange Flat Face, Threaded Holes STFF64 Page H41 | NPT Female Thread Flange O-Ring Face, Clearance Holes NTF064 Page H42 | NPT Female Thread Flange Flat Face, Threaded Holes NTFF64 Page H43 | Flare Flange Pipe Assembly NPS, Metric PAF Page H44, H45 | Flare Flange Bent Pipe Assembly NPS, Metric BPAF Page H46-H49 |
|  |  |  |  |  |  |
| Flare Flange Bend Elbow Assembly NPS, Metric A/FFE Page H50, H51 | Retain Ring Flange Bend Elbow Assembly A/RFE Page H52 | Retain Ring Flange Elbow Assembly A/RRFE Page H53 | Block Elbow NPS, Metric BE64, BEM64 Page H54 | Split Flange Elbow Block NPS, Metric A/SFE64, A/SFEM64 Page H55 | Flange Tee Assembly NPS, Metric A/RRFT Page H56 |
|  |  |  |  |  |  |
| Block Tee NPS, Metric BT64, BTM64 Page H57 | Reducing Branch Block Tee NPS, Metric BTR64, BTRM64 Page H58, H59 | Reducing Branch Block Tee NPS, Metric BTR7-64, BTRM7-64 Page H60 | Split Flange Branch Tee NPS, Metric A/SFBT64, A/SFBTM64 Page H61 | Split Flange Run Tee NPS, Metric A/SFRT64, A/SFRTM64 Page H62 | Split Flange Tee NPS, Metric A/SFT64, A/SFTM34 Page H63 |
|  |  |  |  |  |  |
| Transition Plate Manifold Mount NPS, Metric TPO6-34, TPOM6-34 Page H64 | Transition Plate Reducer NPS, Metric TPR6-34, TPRM6-34 Page H65 | Transition Plate ISO Reducer NPS, Metric TPR7-64, TPRM7-64 Page H66 | Transition Plate Reducer NPS, Metric TPR64, TPRM64 Page H67 | Transition Plate Reducer Manifold Mount NPS, Metric TPRO6-34, TPROM6-34 Page H68 | ISO Transition Plate Reducer Manifold Mount NPS, Metric TPRO7-64, TPROM7-64 Page H69 |
|  |  |  |  |  |  |
| Transition Plate Reducer Manifold Mount NPS, Metric TPRO64, TPROM64 Page H70 | Adapter Plate NPS, Metric AP64, APM64 Page H71 | O-Ring Connector Plate OCP Page H72 | Connector Plate CP Page H73 | Retain Ring R, RA Page H74 | O-Ring Spacer RR Pipe Flange Connection OS Page H75 |

SAE 6000 PSI, 420 bar Reference Guide



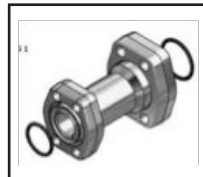
**O-Ring Spacer
RR Pipe
to Hose End**
OSH
Page H76



**O-Ring Spacer
With Pilot Port**
NPS, Metric
OSP, OSPM
Page H77



**Retain Ring
Flange Bulkhead
Assembly**
A/RFBH
Page H78



**Retain Ring Flange
Concentric Reducer
Assembly**
A/CR
Page H79



**Blanking Flange
O-Ring Face with
Clearance Holes**
BF064, BF0M64
Page H80



**Blanking Flange
Flat Face with
Threaded Holes**
BFF64, BFFM64
Page H81



**Split Flange Kit
Includes Bolts**
NPS, Metric
SFK64, SFKM64
Page H82



Split Flange Plug
NPS, Metric
SFP64, SFPM64
Page H83



**Non-Conductive
Connector Plate**
NPS, Metric
NCCP64
Page H84