

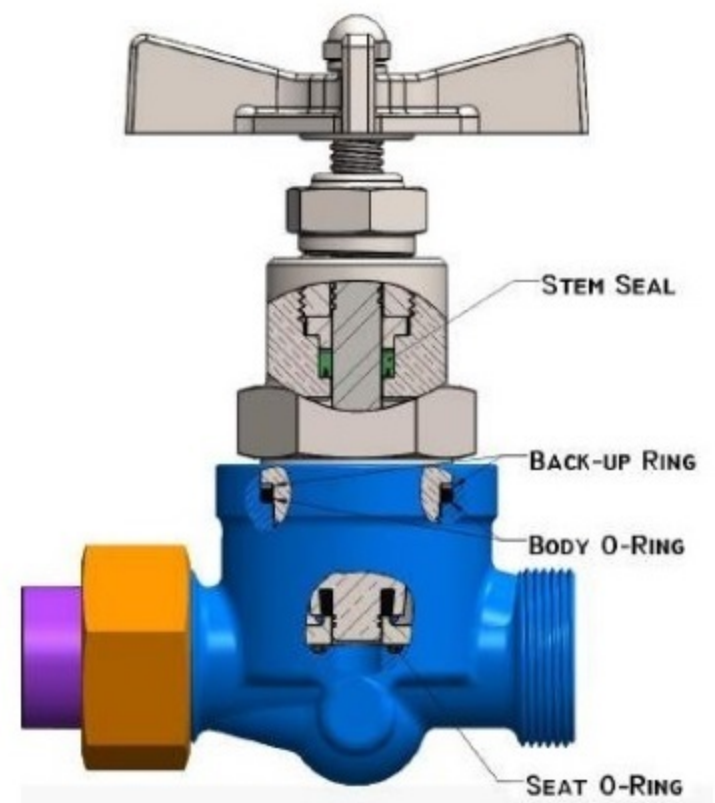
Soft Goods Kits

In the event that the sealing elements used in an O-SEAL® system valve ever need replacement, a soft goods kit can be obtained containing all four of the items required. To order a soft goods kit, determine the proper material grouping shown across the top of the chart below. Read down the column and select the Kit Number on the horizon line matching the valve size or Dash Number.

For example:

A 1/2 in. 380-3 Globe valve requires a soft goods kit. The valve is used in compressed air service, and the compressor is lubricated with a petroleum-based oil. The materials listed in the first column under Material Grouping B are satisfactory for this service.

Continue down this column to the line for Dash No. -3 (1/2 in. pipe size) to determine that the Kit Number is 003803.



Applicable Valve Part Numbers for the Kit Part Number below:

- O-SEAL® Shutoff: 365, 370, 371, 380, 381, 382
- O-SEAL® Needle: 465, 470, 471, 480, 481, 482
- O-SEAL® Stop-Check: 565, 570, 571, 580, 581, 582
- FloMaster® O-SEAL®: 1380, 1381, 1480, 1481

Kits Items			Material Grouping						Stem Seal Installation Tool Part No.
Qty.	B	C	D	G	N	V			
Stem Seal	1 ea.	Polyurethane	Viton®	Ethylene Propylene	Polyurethane	Polyurethane	Viton® w/ Expander O-Ring		
Body O-Ring	1 ea.	Buna-N	Viton®	Ethylene Propylene	Viton®	Ethylene Propylene	Viton®		
Back-up Ring	1 ea.	Teflon™	Teflon™	Teflon™	Teflon™	Teflon™	Teflon™		
Seat O-Ring	1 ea.	Buna-N	Viton®	Ethylene Propylene	Viton®	Ethylene Propylene	Viton®		
Temperature Range		-30°F to 180°F (-34°C to 82°C)	-15°F to 400°F* (-26°C to 204°C)	-70°F to 250°F (-57°C to 121°C)	-15°F to 180°F (-26°C to 82°C)	-40°F to 180°F (-40°C to 82°C)	-15°F to 400°F* (-26°C to 204°C)		
Dash No.	Pipe Size	OD Tube	Kit Part Number						
-0	1/8	1/4	003800	003810	003820	003840	003870	003890	056930
-1	1/4	3/8	003801	003811	003821	003841	003871	003891	
-2	3/8	1/2	003802	003812	003822	003842	003872	003892	056932
-3	1/2	3/4	003803	003813	003823	003843	003873	003893	056933
-4	3/4	1.00	003804	003814	003824	003844	003874	003894	
-5	1.00	1.25	003805	003815	003825	003845	003875	003895	056935
-6	1.25	1.50	003806	003816	003826	003846	003876	003896	056936
-7	1.50	2.00	003807	003817	003827	003847	003877	003897	056937
-8	2.00	2.50	003808	003818	003828	003848	003878	003898	

*Maximum temperature rating of standard valve assembly is limited by Nylon Disc at 275°F (135°C).

**Note: If a Vacuum Service valve is ordered (-VC), simply add "-VC" to the end of the Kit Part Number to ensure that the additional soft goods will be supplied for that -VC valve. Example: 003813-VC

O-Ring & Stem Seal Temperature Ratings	
Buna-N (Nitrile NBR)	-30°F to +250°F (-34°C to 121°C)
Viton® (Fluorocarbon)	-15°F to +400°F (-26°C to 205°C)
EPDM (Ethylene Propylene)	-70°F to +250°F (-57°C to 121°C)
Polyurethane	-40°F to +180°F (-40°C to 82°C)

Soft Goods Ordering Kit for OXNB® Valves

Applicable Valve Part Numbers for the Kit Part Number below:

- OXNB® Shutoff: 380-P-OXNB-VC
- OXNB® Needle: 480-P-OXNB-VC
- OXNB® Stop-Check: 580-P-OXNB-VC
- FloMaster® OXNB®: 1380-OXNB-VC, 1480-OXNB-VC

Valve Size	Kit Part Number
-0	005600
-1	005601
-2	005602
-3	005603
-4	005604
-5	005605

Component	Material
O-rings and Stem Seal	Viton® Fluorocarbon Type 1, Class 2 (90 durometer)
Seat Ring	Copper
Backup Ring, Gasket	Teflon® PTFE

Soft Goods Ordering Kit for -NC Normally Closed Air Cylinder For FloMaster® Valves

Applicable Valve Part Numbers for the Kit Part Number below:

- FloMaster® O-SEAL®: 1380-NC, 1381-NC, 1480-NC, 1481-NC
- FloMaster® G-Series®: G_SG-NC, G_NG-NC
- FloMaster® OXNB®: 1380-OXNB-VC-NC, 1480-OXNB-VC-NC

Valve Size	Kit Part Number
-0	005800
-1	005801
-2	005802
-3	005803
-4	005804
-5	005805

Soft Goods Ordering Kit for -NO Normally Open Air Cylinder For FloMaster® Valves

Applicable Valve Part Numbers for the Kit Part Number below:

- FloMaster® O-SEAL®: 1380-NO, 1381-NO, 1480-NO, 1481-NO
- FloMaster® G-Series®: G_SG-NO, G_NG-NO
- FloMaster® OXNB®: 1380-OXNB-VC-NO, 1480-OXNB-VC-NO

Valve Size	Kit Part Number
-0	005900
-1	005901
-2	005902
-3	
-4	
-5	005905